

LCD segment driver

BU9706KS

The BU9706KS is a 40-output LCD segment driver provided with a 40-bit shift register and a 40-bit latch. As the 40-bit shift register can be divided into two 20-bit sections, it can be used efficiently, based on the number of segments and the character configuration.

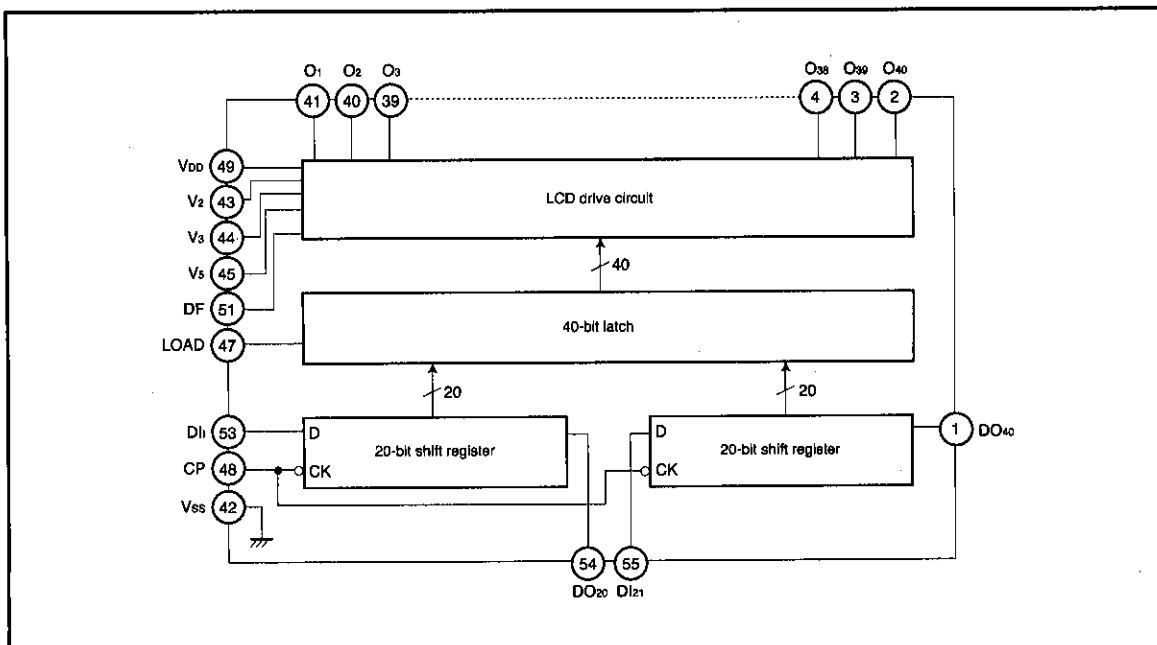
Also, by using a number of BU9706KS drivers, it is possible to configure an LCD segment driver of more than 80 bits.

As the liquid crystal drive voltage can be set externally to any value, it can be used as a driver IC for both static and dynamic drive in various types of liquid crystal display panels.

●Features

- 1) 40-bit shift register and 40-bit latch enable serial input - parallel output.
- 2) Shift register can be divided into two 20-bit sections.
- 3) Power supply voltage : 3.5 to 6V.
- 4) LCD drive voltage : 3 to 6V.
- 5) Can accommodate duty of 1/8 to 1/16.
- 6) Can be used as a driver IC for static drive by setting the liquid crystal drive voltage externally ($V_3 = V_{DD}$, $V_2 = V_5 = V_{SS}$, connect DF as LCD common).

●Block diagram



LCD drivers (segment drivers)

LCD drivers

● Absolute maximum ratings (Ta=25°C)

Parameter	Symbol	Limits	Unit
Power supply voltage	V _{DD}	-0.3~6.5	V
LCD power supply voltage*	V _{DD} -V _S	0~6.5	V
Input voltage	V _{IN}	V _{SS} -0.3~V _{DD} +0.3	V
Power dissipation	P _d	500	mW
Operating temperature	T _{opr}	-20~70	°C
Storage temperature	T _{stg}	-55~125	°C

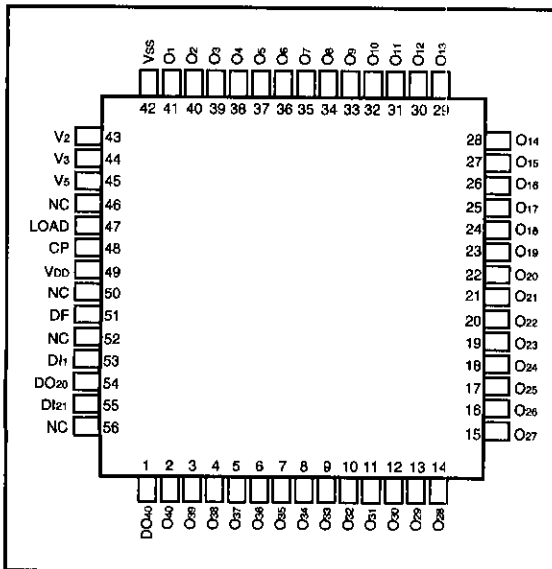
* The LCD power supply voltage must satisfy the condition of V_{DD}>V₂≥V₃>V_S≥V_{SS}.

● Recommended operating conditions (Ta=25°C)

Parameter	Symbol	Min.	Typ.	Max.	Unit
Power supply voltage	V _{DD}	3.5	—	6.0	V
LCD power supply voltage*	V _{DD} -V _S	3.0	—	6.0	V
Input voltage	V _{IN}	0	—	V _{DD}	V

* The LCD power supply voltage must satisfy the condition of V_{DD}>V₂≥V₃>V_S≥V_{SS}.

● Pin layout



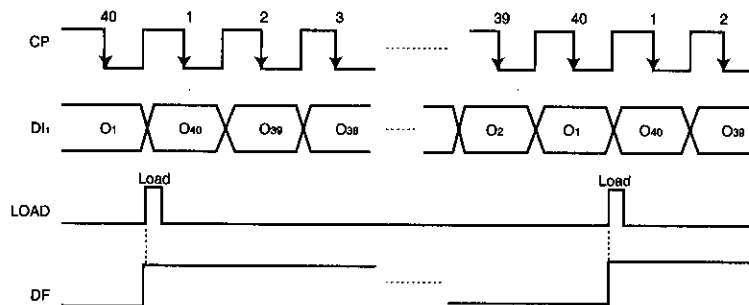
●Pin descriptions

Pin No.	Pin Name	I / O	Function
2~41	O ₄₀ ~O ₁	O	Output pin for the liquid crystal driver. V _{DD} , V ₂ , V ₃ or V ₅ is output depending on the latch content and the DF signal. Refer to the truth table for the output level.
43~45	V ₂ ~V ₅	--	Power supply pin for liquid crystal drive
49	V _{DD}	--	Logic power supply pin and liquid crystal drive power supply pin
42	V _{SS}	--	Logic power supply pin
53	DI ₁	I	Data input pin for the shift register (1 to 20 bits). Data is read to the first bit of the shift register at the clock signal falling edge.
54	DO ₂₀	O	Data output pin for the shift register (1 to 20 bits). Data is output in synchronization with the clock signal falling edge. A 40-bit shift register is composed by shorting
55	DI ₂₁	I	Data input pin for the shift register (21 to 40 bits). Data is read to the 21st bit of the shift register at the clock signal falling edge.
1	DO ₄₀	O	Data output pin for the shift register (21 to 40 bits). Data is output in synchronization with the clock signal falling edge. It is used to configure an LCD driver with more than 40 bits by connecting it to the DI pin of the BU9706KS at the next stage.
48	CP	I	Clock signal input pin for the shift register. The contents of the shift register are shifted by 1 bit only at the clock signal falling edge.
47	LOAD	I	Latch signal input pin for the 40-bit latch. The contents of the shift register are transferred to O ₁ to O ₄₀ at LOAD="H" and the data is latched at LOAD="L". While LOAD="L", the latched data is held even if the contents of the shift register change.
51	DF	I	Input pin for the signal which produces AC for LCD drive.

●LCD drive output pin truth table

Latch data	DF	O _n terminal voltage
H	H	V ₅
H	L	V _{DD}
L	H	V ₃
L	L	V ₂

●Timing chart



- Shifted at CP input falling.
- When the LOAD input state becomes "H", the contents of the shift register are transferred to the segment outputs O₁ to O₄₀, and when it is "L", the data is latched.

Fig.1 Timing chart

●Electrical characteristics (unless otherwise noted, Ta=25°C, V_{DD}=5V)

DC characteristics

Parameter	Symbol	Min.	Typ.	Max.	Unit	Conditions
"H" input voltage*1	V _{IH}	4.0	—	—	V	
"L" input voltage*1	V _{IL}	—	—	1.0	V	
"H" input current*1	I _{IH}	—	—	1	μA	V _{IH} =V _{DD}
"L" input current*1	I _{IL}	—	—	-1	μA	V _{IL} =0V
"H" output voltage*2	V _{OH}	4.2	—	—	V	I _O =-40 μA
"L" output voltage*2	V _{OL}	—	—	0.4	V	I _O =0.4mA
ON resistance *3*4	R _{ON}	—	—	5	kΩ	V _{IN} -V _O *5=0.25V
Static current consumption	I _{DD}	—	—	0.5	mA	CP=DC No load

*1 Applied to DF, LOAD, CP, DI1 and DI2 pins

*4 V_{DD}=5 V, V₂=2/3 V_{DD}, V₃=1/3 V_{DD}, V₅=0 V

*2 Applied to DO20 and DO40 pins

*5 V_{IN}=V_{DD}, V₂, V₃, V₅, V_O=O_n pin voltage

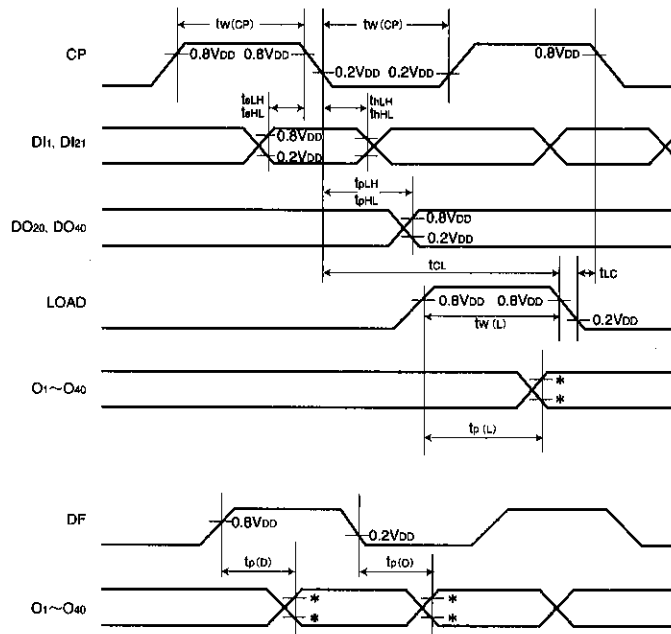
*3 Applied to O1 to O40 pins

AC characteristics

Parameter	Symbol	Min.	Typ.	Max.	Unit	Conditions
Propagation delay time (1)	t _{BLH} , t _{PHL}	—	—	250	ns	CP → O _n delay time
Propagation delay time (2)*	t _p (L)	—	—	250	ns	Load → O _n delay time
Propagation delay time (3)*	t _p (D)	—	—	250	ns	DF → O _n delay time
DI → CP setup time	t _{sLH} , t _{sHL}	50	—	—	ns	
CP → DI hold time	t _{hLH} , t _{hHL}	50	—	—	ns	
CP pulse width	t _w (CP)	125	—	—	ns	
Load pulse width	t _w (L)	125	—	—	ns	
CP → load time	t _{CL}	250	—	—	ns	
LOAD → CP time	t _{LC}	0	—	—	ns	
Maximum clock frequency	f _{CP}	3.3	—	—	MHz	DUTY=50%

* V_{DD}=5V, V₂=2/3V_{DD}, V₃=1/3V_{DD}, V₅=0V

⊙ No radiation resistance measures are included in the design of this IC.



* $t_p(L)$ and $t_p(D)$ are times required before the O_1 to O_{40} output amplitude becomes 80% and 20% respectively.

Fig.2 AC characteristics waveform

●Application example

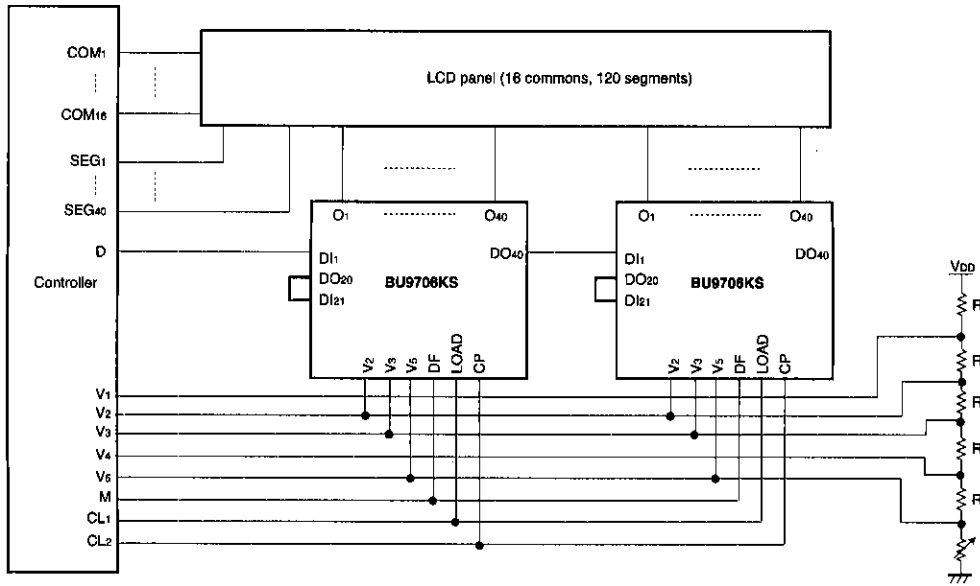
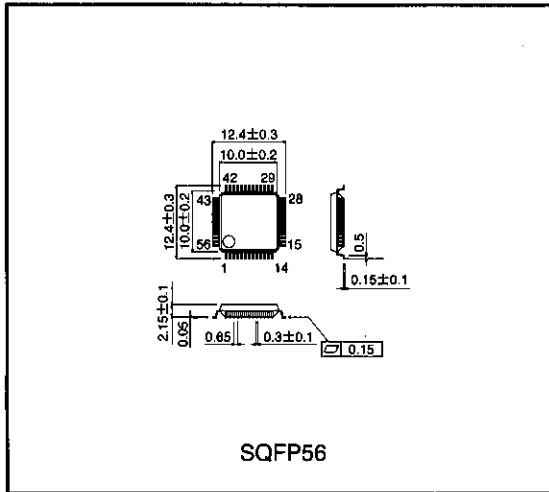


Fig.3

LCD drivers (segment drivers)

LCD drivers

● External dimensions (Units: mm)



Notes

- The contents described in this catalogue are correct as of March 1997.
- No unauthorized transmission or reproduction of this book, either in whole or in part, is permitted.
- The contents of this book are subject to change without notice. Always verify before use that the contents are the latest specifications. If, by any chance, a defect should arise in the equipment as a result of use without verification of the specifications, ROHM CO., LTD., can bear no responsibility whatsoever.
- Application circuit diagrams and circuit constants contained in this data book are shown as examples of standard use and operation. When designing for mass production, please pay careful attention to peripheral conditions.
- Any and all data, including, but not limited to application circuit diagrams, information, and various data, described in this catalogue are intended only as illustrations of such devices and not as the specifications for such devices. ROHM CO., LTD., disclaims any warranty that any use of such device shall be free from infringement of any third party's intellectual property rights or other proprietary rights, and further, assumes absolutely no liability in the event of any such infringement, or arising from or connected with or related to the use of such devices.
- Upon the sale of any such devices; other than for the buyer's right to use such devices itself, resell or otherwise dispose of the same; no express or implied right or license to practice or commercially exploit any intellectual property rights or other proprietary rights owned or controlled by ROHM CO., LTD., is granted to any such buyer.
- The products in this manual are manufactured with silicon as the main material.
- The products in this manual are not of radiation resistant design.

The products listed in this catalogue are designed to be used with ordinary electronic equipment or devices (such as audio-visual equipment, office-automation equipment, communications devices, electrical appliances, and electronic toys). Should you intend to use these products with equipment or devices which require an extremely high level of reliability and the malfunction of which would directly endanger human life (such as medical instruments, transportation equipment, aerospace machinery, nuclear-reactor controllers, fuel controllers, or other safety devices) please be sure to consult with our sales representatives in advance.

- Notes when exporting
 - It is essential to obtain export permission when exporting any of the above products when it falls under the category of strategic material (or labor) as determined by foreign exchange or foreign trade control laws.
 - Please be sure to consult with our sales representatives to ascertain whether any product is classified as a strategic material.