

# Frequency Multiplier and Zero Delay Buffer

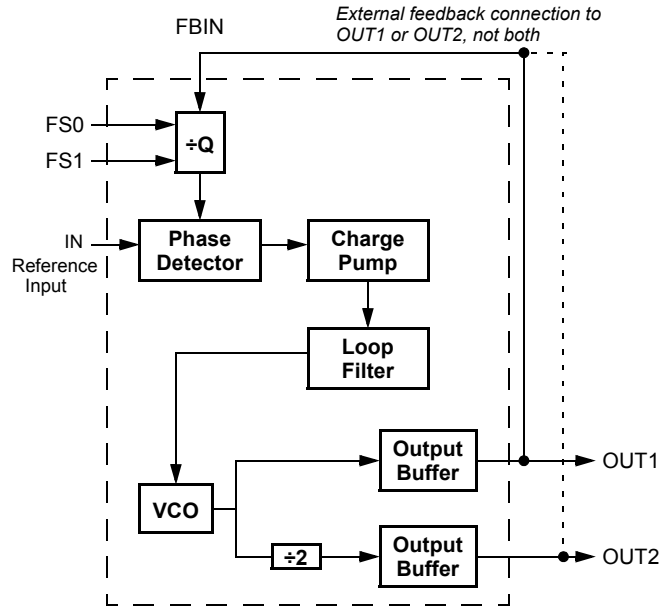
## Features

- 90 ps typical jitter OUT2
- 200 ps typical jitter OUT1
- 65 ps typical output-to-output skew
- 90 ps typical propagation delay
- Voltage range: 3.3 V±5%, or 5 V±10%
- Output frequency range: 5 MHz to 133 MHz
- Two outputs
- Configuration options allow various multiplications of the reference frequency—refer to [Table 1](#) to determine the specific option which meets your multiplication needs
- Available in 8-pin SOIC package

**Table 1. Configuration Options**

FBIN	FS0	FS1	OUT1	OUT2
OUT1	0	0	2 X REF	REF
OUT1	1	0	4 X REF	2 X REF
OUT1	0	1	REF	REF/2
OUT1	1	1	8 X REF	4 X REF
OUT2	0	0	4 X REF	2 X REF
OUT2	1	0	8 X REF	4 X REF
OUT2	0	1	2 X REF	REF
OUT2	1	1	16 X REF	8 X REF

## Logic Block Diagram



Pinouts

Figure 1. Pin Configuration – 8-Pin SOIC Package

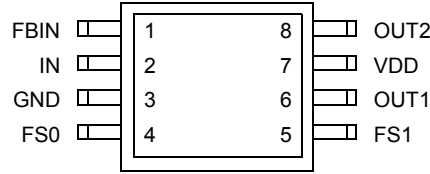


Table 2. Pin Definition

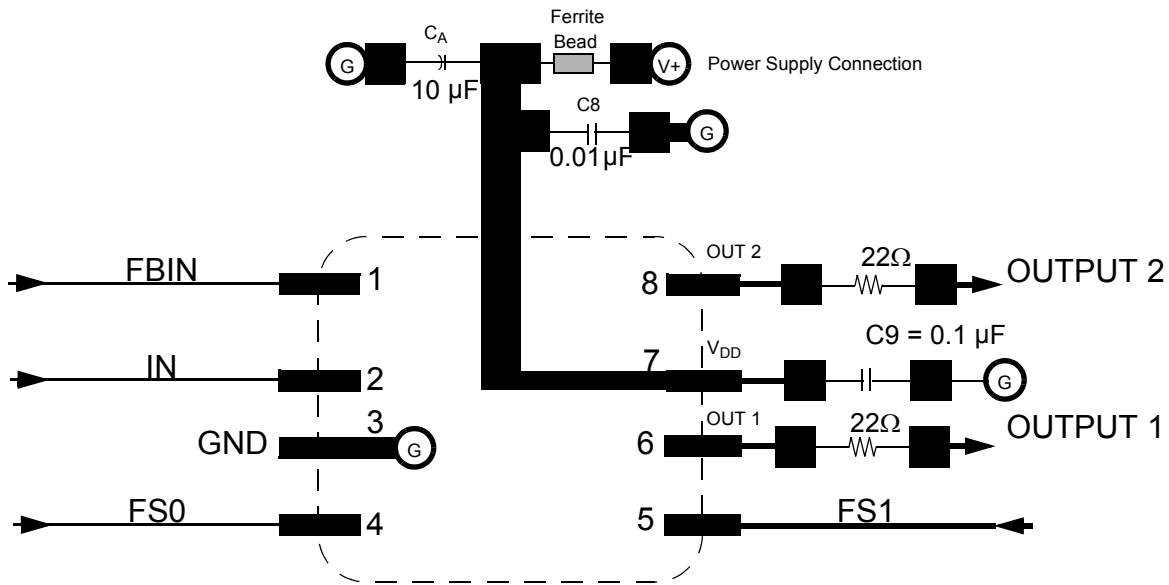
Pin Name	Pin No	Pin Type	Pin Description
IN	2	I	Reference Input: The output signals are synchronized to this signal.
FBIN	1	I	Feedback Input: This input must be fed by one of the outputs (OUT1 or OUT2) to ensure proper functionality. If the trace between FBIN and the output pin being used for feedback is equal in length to the traces between the outputs and the signal destinations, then the signals received at the destinations are synchronized to the REF signal input (IN).
OUT1	6	O	Output 1: The frequency of the signal provided by this pin is determined by the feedback signal connected to FBIN, and the FS0:1 inputs (see Table 1).
OUT2	8	O	Output 2: The frequency of the signal provided by this pin is one-half of the frequency of OUT1. See Table 1.
VDD	7	P	Power Connections: Connect to 3.3V or 5V. This pin should be bypassed with a 0.1- $\mu$ F decoupling capacitor. Use ferrite beads to help reduce noise for optimal jitter performance.
GND	3	P	Ground Connection: Connect all grounds to the common system ground plane.
FS0:1	4, 5	I	Function Select Inputs: Tie to $V_{DD}$ (HIGH, 1) or GND (LOW, 0) as desired per Table 1.

## Overview

The CY2302 is a two-output zero delay buffer and frequency multiplier. It provides an external feedback path allowing maximum flexibility when implementing the Zero Delay feature. This is explained further in the sections of this datasheet titled, [How to Implement Zero Delay on page 3](#), and [Inserting Other Devices in Feedback Path on page 3](#).

The CY2302 is a pin-compatible upgrade of the Cypress W42C70-01. The CY2302 addresses some application dependent problems experienced by users of the older device.

**Figure 2. Schematic/Suggested Layout**



## How to Implement Zero Delay

Typically, Zero Delay Buffers (ZDBs) are used because a designer wants to provide multiple copies of a clock signal in phase with each other. The whole concept behind ZDBs is that the signals at the destination chips are all going HIGH at the same time as the input to the ZDB. In order to achieve this, layout must compensate for trace length between the ZDB and the target devices. The method of compensation is described as follows.

External feedback is the trait that allows for this compensation. The PLL on the ZDB causes the feedback signal to be in phase with the reference signal. When laying out the board, match the trace lengths between the output being used for feedback and the FBIN input to the PLL.

If it is desirable to either add a little delay, or slightly precede the input signal, this may also be implemented by either making the trace to the FBIN pin a little shorter or a little longer than the traces to the devices being clocked.

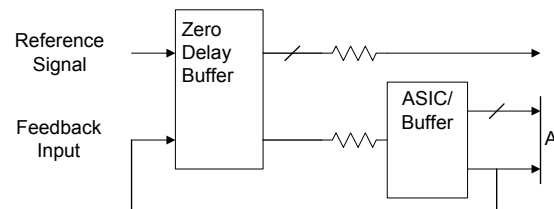
## Inserting Other Devices in Feedback Path

Another nice feature available due to the external feedback is the ability to synchronize signals to the signal coming from some other device. This implementation can be applied to any device (ASIC, multiple output clock buffer/driver, etc.) that is put into the feedback path.

Referring to [Figure 2](#), if the traces between the ASIC/Buffer and the destination of the clock signal(s) (A) are equal in length to the

trace between the buffer and the FBIN pin, the signals at the destination(s) device is driven HIGH at the same time when the Reference clock provided to the ZDB goes HIGH. Synchronizing the other outputs of the ZDB to the outputs from the ASIC/Buffer is more complex however, as any propagation delay from the ZDB output to the ASIC/Buffer output must be accounted for.

**Figure 3. Six Output Buffer in the Feedback Path**



## Phase Alignment

In cases where OUT1 (i.e., the higher frequency output) is connected to FBIN input pin the output OUT2 rising edges may be either 0 or 180° phase aligned to the IN input waveform (as set randomly when the input and/or power is supplied). If OUT2 is desired to be rising-edge aligned to the IN input's rising edge, then connect the OUT2 (i.e., the lowest frequency output) to the FBIN pin. This set-up provides a consistent input-output phase relationship.

## Absolute Maximum Ratings

Exceeding maximum ratings may shorten the useful life of the device. User guidelines are not tested.

Parameter	Description	Rating	Unit
$V_{DD}, V_{IN}$	Voltage on any pin with respect to GND	-0.5 to +7.0	V
$T_{STG}$	Storage temperature	-65 to +150	°C
$T_A$	Ambient operating temperature, commercial	0 to +70	°C
	Ambient operating temperature, industrial	-40 to +85	°C
$T_B$	Ambient temperature under bias	-55 to +125	°C
$P_D$	Power dissipation	0.5	W

## DC Electrical Characteristics

$T_A = 0\text{ °C to }70\text{ °C or }-40\text{ °C to }85\text{ °C}, V_{DD} = 3.3\text{ V } \pm 5\%$

Parameter	Description	Test Condition	Min	Typ	Max	Unit
$I_{DD}$	Supply current	Unloaded, 100 MHz	—	17	35	mA
$V_{IL}$	Input low voltage	—	—	—	0.8	V
$V_{IH}$	Input high voltage	—	2.0	—	—	V
$V_{OL}$	Output low voltage	$I_{OL} = 12\text{ mA}$	—	—	0.4	V
$V_{OH}$	Output high voltage	$I_{OH} = -12\text{ mA}$	2.4	—	—	V
$I_{IL}$	Input low current	$V_{IN} = 0\text{ V}$	-40	—	5	μA
$I_{IH}$	Input high current	$V_{IN} = V_{DD}$	—	—	5	μA

## DC Electrical Characteristics

$T_A = 0\text{ °C to }70\text{ °C or }-40\text{ °C to }85\text{ °C}, V_{DD} = 5\text{ V } \pm 10\%$

Parameter	Description	Test Condition	Min	Typ	Max	Unit
$I_{DD}$	Supply current	Unloaded, 100 MHz	—	37	50	mA
$V_{IL}$	Input low voltage	—	—	—	0.8	V
$V_{IH}$	Input high voltage	—	2.0	—	—	V
$V_{OL}$	Output low voltage	$I_{OL} = 12\text{ mA}$	—	—	0.4	V
$V_{OH}$	Output high voltage	$I_{OH} = -12\text{ mA}$	2.4	—	—	V
$I_{IL}$	Input low current	$V_{IN} = 0\text{ V}$	-80	—	5	μA
$I_{IH}$	Input high current	$V_{IN} = V_{DD}$	—	—	5	μA

**AC Electrical Characteristics**
 $T_A = 0^\circ\text{C to } +70^\circ\text{C or } -40^\circ\text{ to } 85^\circ\text{C, } V_{DD} = 3.3\text{V } \pm 5\%^{[3]}$ 

Parameter	Description	Test Condition	Min	Typ	Max	Unit
$f_{IN}$	Input Frequency <sup>[1]</sup>	—	5	—	133	MHz
$f_{OUT}$	Output Frequency	OUT1 15-pF load	10	—	133	MHz
$t_R$	Output Rise Time	0.8 V to 2.0 V, 15-pF load	—	—	3.5	ns
$t_F$	Output Fall Time	2.0 V to 0.8 V, 15-pF load	—	—	2.5	ns
$t_{ICKR}$	Input Clock Rise Time <sup>[2]</sup>	—	—	—	10	ns
$t_{ICKF}$	Input Clock Fall Time <sup>[2]</sup>	—	—	—	10	ns
$t_D$	Duty Cycle	15-pF load <sup>[5]</sup>	40	50	60	%
$t_{LOCK}$	PLL Lock Time	Power supply stable	—	—	1.0	ms
$t_{JC}$	Jitter, Cycle-to-Cycle	OUT1, $f_{OUT} > 30$ MHz	—	200	300	ps
		OUT2, $f_{OUT} > 30$ MHz	—	90	300	ps
$t_{DC}$	Die Out Time <sup>[6]</sup>	—	100	—	—	Clock Cycles
$t_{SKEW}$	Output-output Skew <sup>[4]</sup>	—	—	65	250	ps
$t_{PD}$	Propagation Delay <sup>[4]</sup>	—	-350	90	350	ps

**AC Electrical Characteristics**
 $T_A = 0^\circ\text{C to } +70^\circ\text{C or } -40^\circ\text{ to } 85^\circ\text{C, } V_{DD} = 5.0\text{V } \pm 10\%^{[3]}$ 

Parameter	Description	Test Condition	Min	Typ	Max	Unit
$f_{IN}$	Input Frequency <sup>[1]</sup>	—	5	—	133	MHz
$f_{OUT}$	Output Frequency	OUT1 15-pF load	10	—	133	MHz
$t_R$	Output Rise Time	0.8 V to 2.0 V, 15-pF load	—	—	2.5	ns
$t_F$	Output Fall Time	2.0 V to 0.8 V, 15-pF load	—	—	1.5	ns
$t_{ICKR}$	Input Clock Rise Time <sup>[2]</sup>	—	—	—	10	ns
$t_{ICKF}$	Input Clock Fall Time <sup>[2]</sup>	—	—	—	10	ns
$t_D$	Duty Cycle	15-pF load <sup>[5, 7]</sup>	40	50	60	%
$t_{LOCK}$	PLL Lock Time	Power supply stable	—	—	1.0	ms
$t_{JC}$	Jitter, Cycle-to-Cycle	OUT1, $f_{OUT} > 30$ MHz	—	200	300	ps
		OUT2, $f_{OUT} > 30$ MHz	—	90	300	ps
$t_{DC}$	Die out time <sup>[6]</sup>	—	100	—	—	Clock cycles
$t_{SKEW}$	Output-output Skew <sup>[4]</sup>	—	—	65	250	ps
$t_{PD}$	Propagation Delay <sup>[4]</sup>	—	-350	90	350	ps

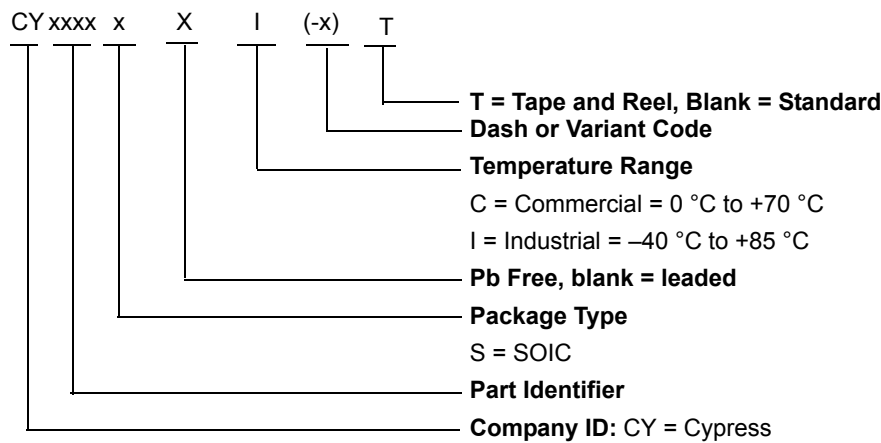
**Notes**

1. Input frequency is limited by output frequency range and input to output frequency multiplication factor (which is determined by circuit configuration).
2. Longer input rise and fall time degrades skew and jitter performance.
3. All AC specifications are measured with a 50Ω transmission line, load terminated with 50 Ω to 1.4 V.
4. Skew is measured at 1.4 V on rising edges.
5. Duty cycle is measured at 1.4 V.
6. 33 MHz reference input suddenly stopped (0 MHz). Number of cycles provided prior to output falling to <16 MHz.
7. Duty Cycle measured at 120 MHz. For 133 MHz, degrades to 35/65 worst case.

**Ordering Information**

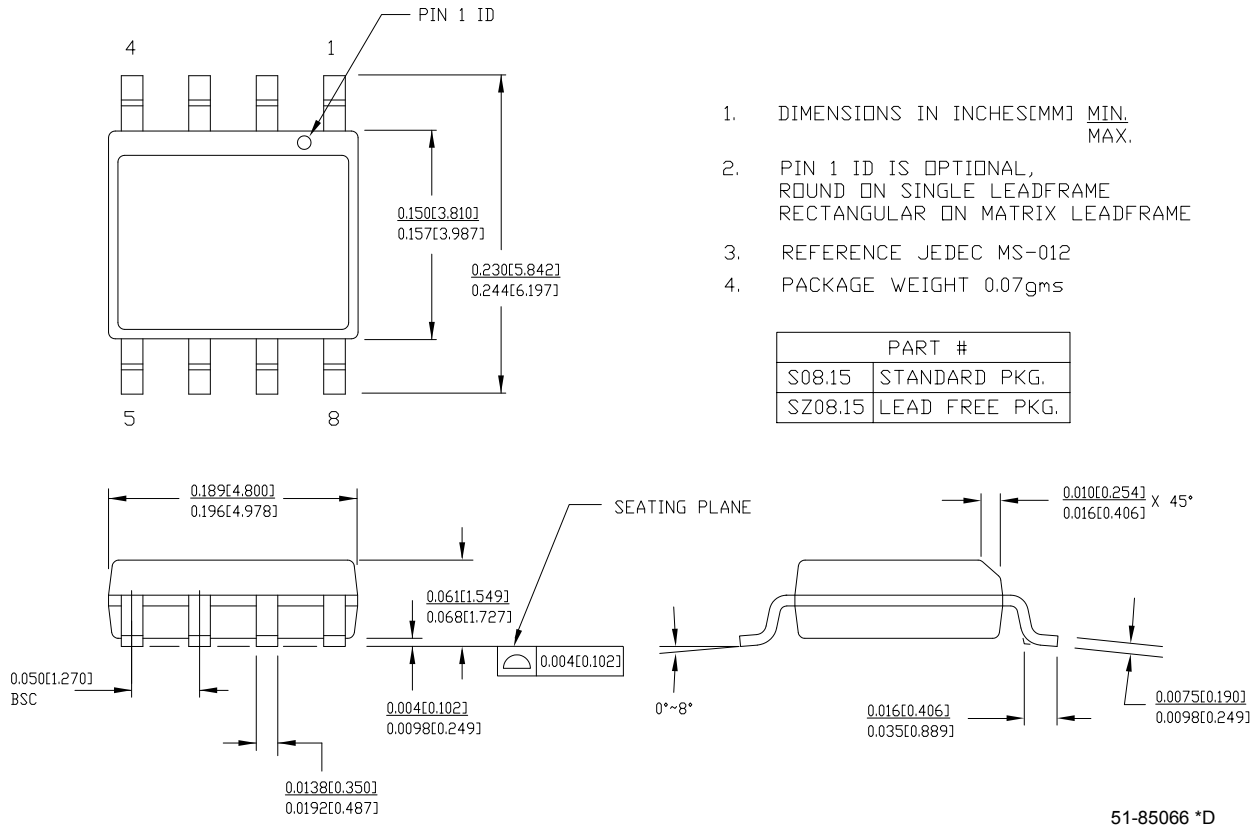
Ordering Code	Package Type	Temperature Grade
<b>Pb-free</b>		
CY2302SXC-1	8-pin SOIC	Commercial (0 ° to 70 °C)
CY2302SXC-1T	8-pin SOIC – Tape and Reel	Commercial (0 ° to 70 °C)
CY2302SXI-1	8-pin SOIC	Industrial (-40 ° to 85 °C)
CY2302SXI-1T	8-pin SOIC – Tape and Reel	Industrial (-40 ° to 85 °C)

**Ordering Code Definitions**



Package Diagram

Figure 4. 8-Pin (150-Mil) SOIC S8



## Acronyms

Acronym	Description
FBK	Feedback
PLL	Phase locked loop
MUX	Multiplexer

## Document Conventions

### Units of Measure

Symbol	Unit of Measure	Symbol	Unit of Measure
°C	degrees Celsius	μW	microwatts
dB	decibels	mA	milliamperes
fC	femtoCoulomb	mm	millimeters
fF	femtofarads	ms	milliseconds
Hz	hertz	mV	millivolts
KB	1024 bytes	nA	nanoamperes
Kbit	1024 bits	ns	nanoseconds
kHz	kilohertz	nV	nanovolts
kΩ	kilohms	Ω	ohms
MHz	megahertz	pA	picoamperes
MΩ	megaohms	pF	picofarads
μA	microamperes	pp	peak-to-peak
μF	microfarads	ppm	parts per million
μH	microhenrys	ps	picoseconds
μs	microseconds	sps	samples per second
μV	microvolts	σ	sigma: one standard deviation
μVrms	microvolts root-mean-square		



## Document History Page

Document Title: CY2302 Frequency Multiplier and Zero Delay Buffer Document Number: 38-07154				
Revision	ECN	Orig. of Change	Submission Date	Description of Change
**	110264	SZV	12/18/01	Change from Spec number: 38-00794 to 38-07154
*A	394695	RGL	See ECN	Added typical char data Added Pb-free devices Added phase alignment paragraph
*B	2761988	KVM	09/10/09	Removed CY2302SI-1T from the Ordering Information table Added temperature values to Ordering Information table and to Absolute Maximum Table
*C	2894970	KVM	03/23/2010	Removed inactive parts from <a href="#">Ordering Information</a> table. Updated <a href="#">Package Diagram</a> .
*D	2907904	KVM	04/08/2010	Removed inactive parts from Ordering Information table.
*E	3204657	BASH	03/24/2011	Added Ordering Code Definitions, Acronyms, and Document Conventions.

## Sales, Solutions, and Legal Information

### Worldwide Sales and Design Support

Cypress maintains a worldwide network of offices, solution centers, manufacturer’s representatives, and distributors. To find the office closest to you, visit us at [Cypress Locations](#).

### Products

- Automotive [cypress.com/go/automotive](http://cypress.com/go/automotive)
- Clocks & Buffers [cypress.com/go/clocks](http://cypress.com/go/clocks)
- Interface [cypress.com/go/interface](http://cypress.com/go/interface)
- Lighting & Power Control [cypress.com/go/powerpsoc](http://cypress.com/go/powerpsoc)  
[cypress.com/go/plc](http://cypress.com/go/plc)
- Memory [cypress.com/go/memory](http://cypress.com/go/memory)
- Optical & Image Sensing [cypress.com/go/image](http://cypress.com/go/image)
- PSoC [cypress.com/go/psoc](http://cypress.com/go/psoc)
- Touch Sensing [cypress.com/go/touch](http://cypress.com/go/touch)
- USB Controllers [cypress.com/go/USB](http://cypress.com/go/USB)
- Wireless/RF [cypress.com/go/wireless](http://cypress.com/go/wireless)

### PSoC Solutions

- [psoc.cypress.com/solutions](http://psoc.cypress.com/solutions)
- PSoC 1 | PSoC 3 | PSoC 5

© Cypress Semiconductor Corporation, 2001-2011. The information contained herein is subject to change without notice. Cypress Semiconductor Corporation assumes no responsibility for the use of any circuitry other than circuitry embodied in a Cypress product. Nor does it convey or imply any license under patent or other rights. Cypress products are not warranted nor intended to be used for medical, life support, life saving, critical control or safety applications, unless pursuant to an express written agreement with Cypress. Furthermore, Cypress does not authorize its products for use as critical components in life-support systems where a malfunction or failure may reasonably be expected to result in significant injury to the user. The inclusion of Cypress products in life-support systems application implies that the manufacturer assumes all risk of such use and in doing so indemnifies Cypress against all charges.

Any Source Code (software and/or firmware) is owned by Cypress Semiconductor Corporation (Cypress) and is protected by and subject to worldwide patent protection (United States and foreign), United States copyright laws and international treaty provisions. Cypress hereby grants to licensee a personal, non-exclusive, non-transferable license to copy, use, modify, create derivative works of, and compile the Cypress Source Code and derivative works for the sole purpose of creating custom software and/or firmware in support of licensee product to be used only in conjunction with a Cypress integrated circuit as specified in the applicable agreement. Any reproduction, modification, translation, compilation, or representation of this Source Code except as specified above is prohibited without the express written permission of Cypress.

Disclaimer: CYPRESS MAKES NO WARRANTY OF ANY KIND, EXPRESS OR IMPLIED, WITH REGARD TO THIS MATERIAL, INCLUDING, BUT NOT LIMITED TO, THE IMPLIED WARRANTIES OF MERCHANTABILITY AND FITNESS FOR A PARTICULAR PURPOSE. Cypress reserves the right to make changes without further notice to the materials described herein. Cypress does not assume any liability arising out of the application or use of any product or circuit described herein. Cypress does not authorize its products for use as critical components in life-support systems where a malfunction or failure may reasonably be expected to result in significant injury to the user. The inclusion of Cypress’ product in a life-support systems application implies that the manufacturer assumes all risk of such use and in doing so indemnifies Cypress against all charges.

Use may be limited by and subject to the applicable Cypress software license agreement.