

DH0006/DH0006C* Current Drivers

General Description

The DH0006/DH0006C is an integrated high voltage, high current driver designed to accept standard DTL or TTL logic levels and drive a load of up to 400 mA at 28V. AND inputs are provided along with an Expander connection, should additional gating be required. The addition of an external capacitor provides control of the rise and fall times of the output in order to decrease cold lamp surges or to minimize electromagnetic interference if long lines are driven.

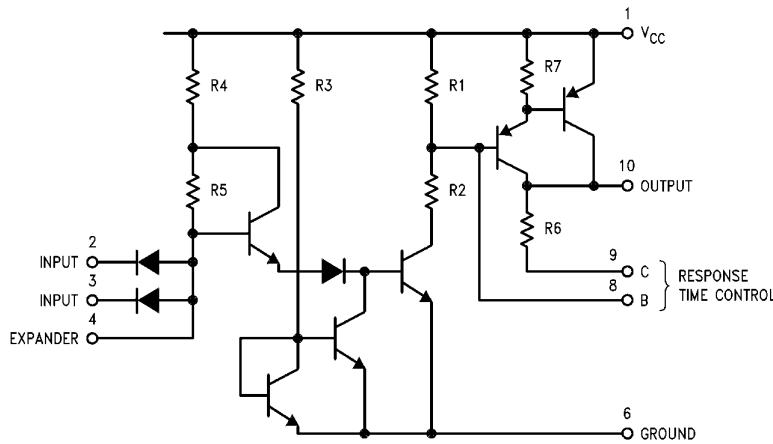
Since one side of the load is normally grounded, there is less likelihood of false turn-on due to an inadvertent short in the drive line.

Features

- Operation from a Single +10V to +45 Power Supply
- Low Standby Power Dissipation of only 35 mW for 28V Power Supply
- 1.5A, 50 ms, Pulse Current Capability

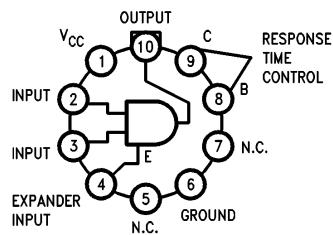
*Previously called NH0006/NH0006C

Schematic and Connection Diagrams



TL/K/10120-1

Metal Can Package



TL/K/10120-2

Top View

Order Number DH0006H or DH0006CH
See NS Package Number H10F

Absolute Maximum Ratings

If Military/Aerospace specified devices are required, please contact the National Semiconductor Sales Office/Distributors for availability and specifications.

Peak Power Supply Voltage (for 0.1 sec)	60V	Input Extender Current	5.0 mA
Continuous Supply Voltage	45V	Peak Output Current (50 ms On/1 sec Off)	1.5A
Input Voltage	5.5V	Operating Temperature	
		DH0006	-55°C to +125°C
		DH0006C	0°C to +70°C
		Storage Temperature	-65°C to +150°C

Electrical Characteristics (Note 1)

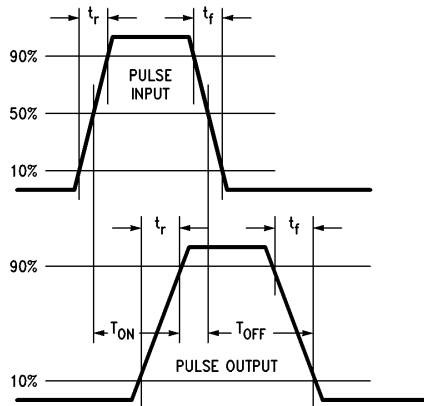
Parameter	Conditions	Min	Typ (Note 2)	Max	Units
Logical "1" Input Voltage	$V_{CC} = 45V$ to 10V	2.0			V
Logical "0" Input Voltage	$V_{CC} = 45V$ to 10V			0.8	
Logical "1" Output Voltage	$V_{CC} = 28V$, $V_{IN} = 2.0V$, $I_{OUT} = 400$ mA	26.5	27.0		
Logical "0" Output Voltage	$V_{CC} = 45V$, $V_{IN} = 0.8V$, $R_L = 1k$		0.001	0.01	
Logical "1" Output Voltage	$V_{CC} = 10V$, $V_{IN} = 2.0V$, $I_{OUT} = 150$ mA	8.8	9.2		
Logical "0" Input Current	$V_{CC} = 45V$, $V_{IN} = 0.4V$		-0.8	-1.0	mA
Logical "1" Input Current	$V_{CC} = 45V$, $V_{IN} = 2.4V$ $V_{CC} = 45V$, $V_{IN} = 5.5V$		0.5	5.0 100	μA
"Off" Power Supply Current	$V_{CC} = 45V$, $V_{IN} = 0.8V$		1.6	2.0	mA
"On" Power Supply Current	$V_{CC} = 45V$, $V_{IN} = 2.0V$, $I_{OUT} = 0$ mA			8	mA
Rise Time	$V_{CC} = 28V$, $R_L = 82\Omega$		0.10		μs
Fall Time			0.8		
T_{ON}			0.26		
T_{OFF}			2.2		

Note 1: Unless otherwise specified, limits shown apply from -55°C to +125°C for DH0006 and 0°C to +70°C for DH0006C.

Note 2: Typical values are for 25°C ambient.

Note 3: Power ratings for the TO-5 based on a maximum junction temperature of +175°C and θ_{JA} of 210°C/W.

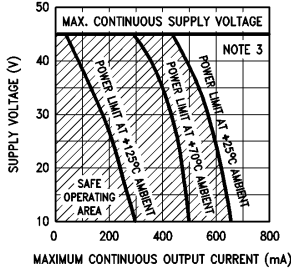
Switching Time Waveforms



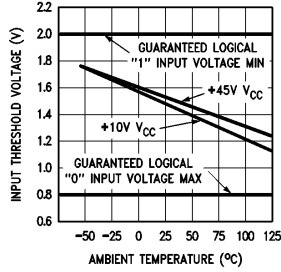
TL/K/10120-6

Typical Performance Characteristics

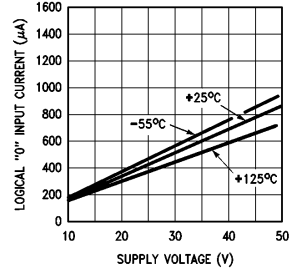
Maximum Continuous Output Current for TO-5



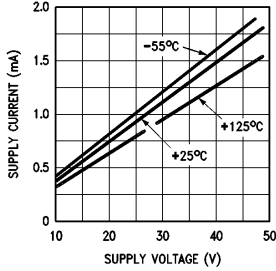
Input Threshold Voltage vs Temperature



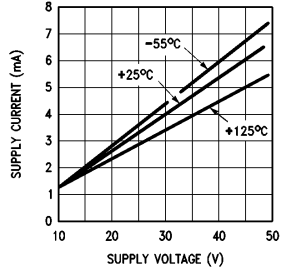
Logical "0" Input Current



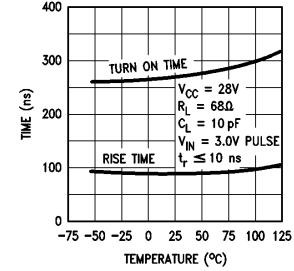
"OFF" Supply Current Drain



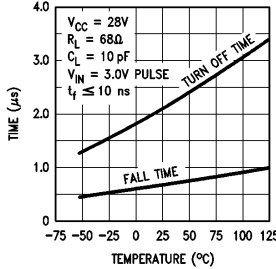
"ON" Supply Current Drain



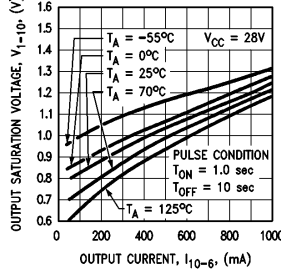
Turn On and Rise Time



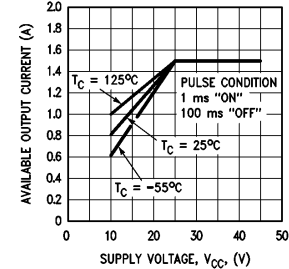
Turn Off and Fall Time



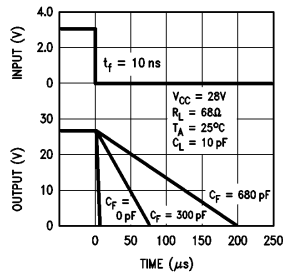
Output Saturation Voltage



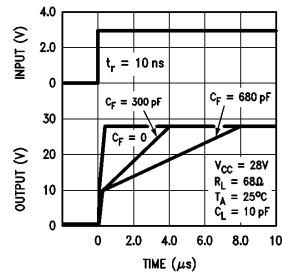
Available Output Current



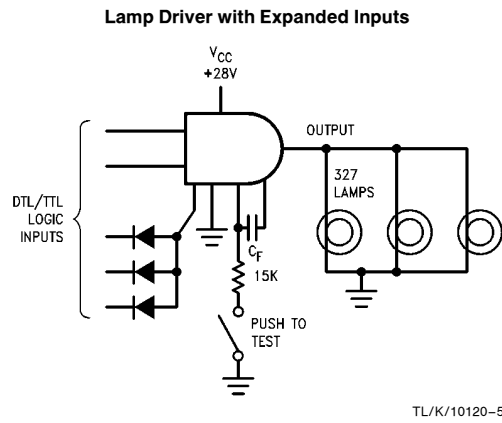
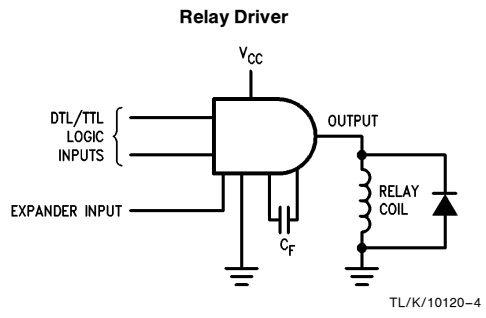
Turn Off Control



Turn On Control



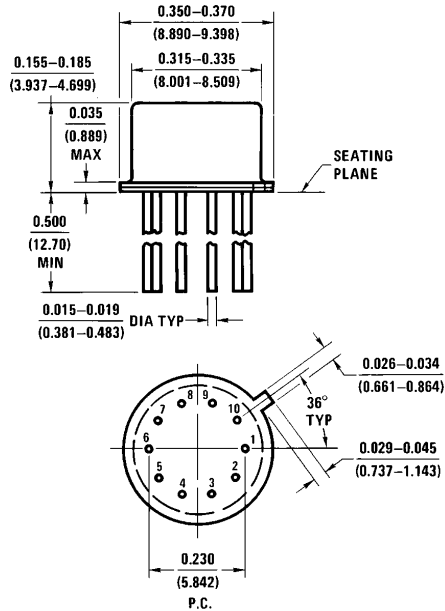
Typical Applications





Physical Dimensions inches (millimeters)

Lit. # 102455



10-Lead, 0.230 Dia. P.C.
Order Number DH0006H or DH0006CH
NS Package Number H10F

H10F (REV A)

LIFE SUPPORT POLICY

NATIONAL'S PRODUCTS ARE NOT AUTHORIZED FOR USE AS CRITICAL COMPONENTS IN LIFE SUPPORT DEVICES OR SYSTEMS WITHOUT THE EXPRESS WRITTEN APPROVAL OF THE PRESIDENT OF NATIONAL SEMICONDUCTOR CORPORATION. As used herein:

1. Life support devices or systems are devices or systems which, (a) are intended for surgical implant into the body, or (b) support or sustain life, and whose failure to perform, when properly used in accordance with instructions for use provided in the labeling, can be reasonably expected to result in a significant injury to the user.
2. A critical component is any component of a life support device or system whose failure to perform can be reasonably expected to cause the failure of the life support device or system, or to affect its safety or effectiveness.



National Semiconductor Corporation
 1111 West Bardin Road
 Arlington, TX 76017
 Tel: 1(800) 272-9959
 Fax: 1(800) 737-7018

National Semiconductor Europe
 Fax: (+49) 0-180-530 85 86
 Email: cnjwge@tevm2.nsc.com
 Deutsch Tel: (+49) 0-180-530 85 85
 English Tel: (+49) 0-180-532 78 32
 Français Tel: (+49) 0-180-532 93 58
 Italiano Tel: (+49) 0-180-534 16 80

National Semiconductor Hong Kong Ltd.
 19th Floor, Straight Block,
 Ocean Centre, 5 Canton Rd.
 Tsimshatsui, Kowloon
 Hong Kong
 Tel: (852) 2737-1600
 Fax: (852) 2736-9960

National Semiconductor Japan Ltd.
 Tel: 81-043-299-2309
 Fax: 81-043-299-2408

National does not assume any responsibility for use of any circuitry described, no circuit patent licenses are implied and National reserves the right at any time without notice to change said circuitry and specifications.