

DS3486 Quad RS-422, RS-423 Line Receiver

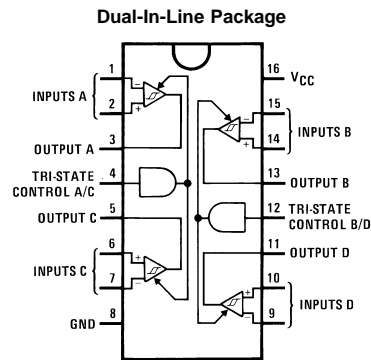
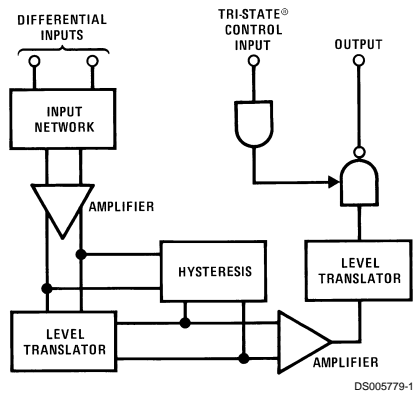
General Description

National's quad RS-422, RS-423 receiver features four independent receivers which comply with EIA Standards for the electrical characteristics of balanced/unbalanced voltage digital interface circuits. Receiver outputs are 74LS compatible, TRI-STATE® structures which are forced to a high impedance state when the appropriate output control pin reaches a logic zero condition. A PNP device buffers each output control pin to assure minimum loading for either logic one or logic zero inputs. In addition, each receiver has internal hysteresis circuitry to improve noise margin and discourage output instability for slowly changing input waveforms.

Features

- Four independent receivers
- TRI-STATE outputs
- Internal hysteresis –140 mV (typ)
- Fast propagation times –19 ns (typ)
- TTL compatible outputs
- 5V supply
- Pin compatible and interchangeable with MC3486

Block and Connection Diagrams



Top View
Order Number DS3486M or DS3486N
See NS Package Number M16A or N16E

TRI-STATE® is a registered trademark of National Semiconductor Corp.

Absolute Maximum Ratings (Note 2)

If Military/Aerospace specified devices are required, please contact the National Semiconductor Sales Office/Distributors for availability and specifications.

Power Supply Voltage, V_{CC}	8V
Input Common-Mode Voltage, V_{ICM}	$\pm 25V$
Input Differential Voltage, V_{ID}	$\pm 25V$
TRI-STATE Control Input Voltage, V_I	8V
Output Sink Current, I_O	50 mA
Storage Temperature, T_{STG}	$-65^{\circ}C$ to $+150^{\circ}C$
Maximum Power Dissipation (Note 1) at $25^{\circ}C$	

Molded Dip Package
SO Package

1362 mW
1002 mW

Operating Conditions

	Max	Min	Units
Power Supply Voltage, V_{CC}	4.75	5.25	V
Operating Temperature, T_A	0	70	$^{\circ}C$
Input Common-Mode Voltage Range, V_{ICR}	-7.0	7.0	V

Note 1: Derate Dip molded package 10.2 mW/ $^{\circ}C$ above $25^{\circ}C$. Derate SO package 8.01 mW/ $^{\circ}C$ above $25^{\circ}C$.

Electrical Characteristics (Note 3)

(Unless otherwise noted, minimum and maximum limits apply over recommended temperature and power supply voltage ranges. Typical values are for $T_A = 25^{\circ}C$, $V_{CC} = 5V$ and $V_{IC} = 0V$.)

Symbol	Parameter	Conditions	Min	Typ	Max	Units
V_{IH}	Input Voltage—High Logic State (TRI-STATE Control)		2.0			V
V_{IL}	Input Voltage—Low Logic State (TRI-STATE Control)				0.8	V
$V_{TH(D)}$	Differential Input Threshold Voltage	$-7V \leq V_{IC} \leq 7V$, V_{IH} TRI-STATE = 2V $I_O = -0.4$ mA, $V_{OH} \geq 2.7V$		0.070	0.2	V
		$I_O = 8$ mA, $V_{OL} \geq 0.5V$		0.070	-0.2	V
$I_{IB(D)}$	Input Bias Current	$V_{CC} = 0V$ or $5.25V$, Other Inputs at 0V				
		$V_I = -10V$			-3.25	mA
		$V_I = -3V$			-1.50	mA
		$V_I = 3V$			1.50	mA
		$V_I = 10V$			3.25	mA
	Input Balance	$-7V \leq V_{IC} \leq 7V$, $V_{IH(3C)} = 2V$, (Note 5)				
		V_{OH} $I_O = -0.4$ mA, $V_{ID} = 0.4V$	2.7			V
		V_{OL} $I_O = 8$ mA, $V_{ID} = -0.4V$			0.5	V
I_{OZ}	Output TRI-STATE Leakage Current	$V_{I(D)} = 3V$, $V_{IL} = 0.8V$, $V_{OL} = 0.5V$			-40	μA
		$V_{I(D)} = -3V$, $V_{IL} = 0.8V$, $V_{OH} = 2.7V$			40	μA
I_{OS}	Output Short-Circuit Current	$V_{I(D)} = 3V$, V_{IH} TRI-STATE = 2V, $V_O = 0V$, (Note 4)	-15		-100	mA
I_{IL}	Input Current—Low Logic State (TRI-STATE Control)	$V_{IL} = 0.5V$			-100	μA
I_{IH}	Input Current—High Logic State (TRI-STATE Control)	$V_{IH} = 2.7V$			20	μA
		$V_{IH} = 5.25V$			100	μA
V_{IC}	Input Clamp Diode Voltage (TRI-STATE Control)	$I_{IN} = -10$ mA			-1.5	V
I_{CC}	Power Supply Current	All Inputs $V_{IL} = 0V$			85	mA

Note 2: "Absolute Maximum Ratings" are those values beyond which the safety of the device cannot be guaranteed. They are not meant to imply that the devices should be operated at these limits. The table of "Electrical Characteristics" provides conditions for actual device operation.

Note 3: All currents into device pins are shown as positive, out of device pins are negative. All voltages referenced to ground unless otherwise noted.

Note 4: Only one output at a time should be shorted.

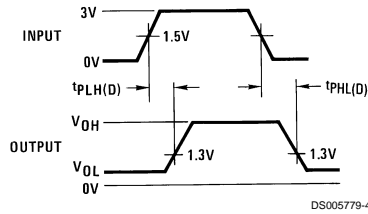
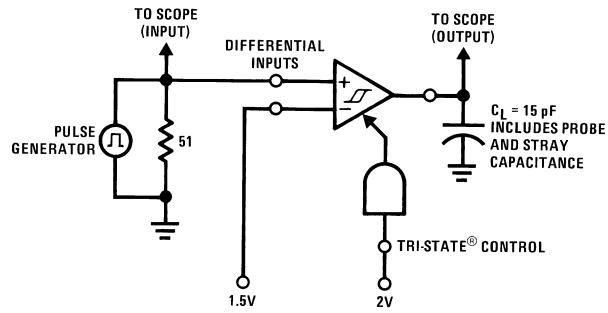
Note 5: Refer to EIA RS-422/3 for exact conditions.

Switching Characteristics

(Unless otherwise noted, $V_{CC} = 5V$ and $T_A = 25^\circ C$.)

Symbol	Parameter	Min	Typ	Max	Units
$t_{PHL(D)}$	Propagation Delay Time—Differential Inputs to Output Output High to Low		19	35	ns
$t_{PLH(D)}$	Output Low to High		19	30	ns
t_{PLZ}	TRI-STATE Control to Output Output Low to TRI-STATE		23	35	ns
t_{PHZ}	Output High to TRI-STATE		25	35	ns
t_{PZH}	Output TRI-STATE to High		18	30	ns
t_{PZL}	Output TRI-STATE to Low		20	30	ns

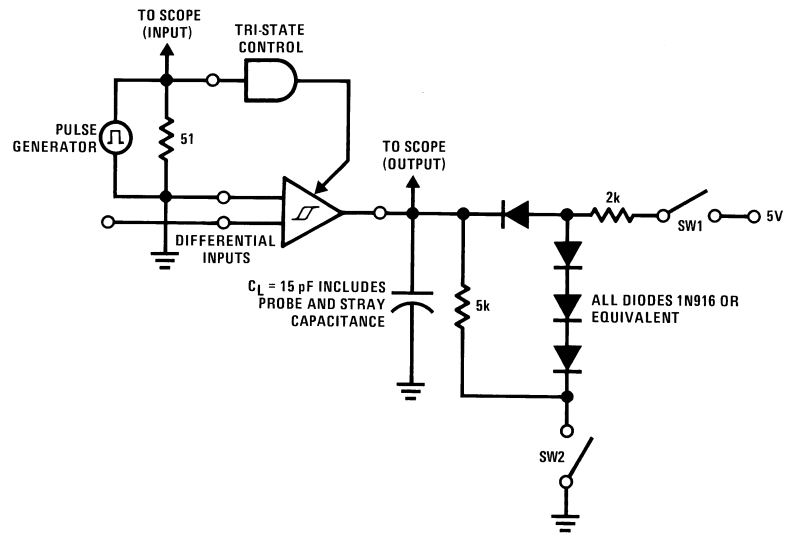
AC Test Circuits and Switching Time Waveforms



Input pulse characteristics:
 $t_{TLH} = t_{THL} = 6 \text{ ns}$ (10% to 90%)
 PRR = 1 MHz, 50% duty cycle

FIGURE 1. Propagation Delay Differential Input to Output

AC Test Circuits and Switching Time Waveforms (Continued)



DS005779-5

1.5V for t_{PHZ} and t_{PLZ}
 1.5V for t_{PLZ} and t_{PZL}
 Input pulse characteristics:
 $t_{TLH} = t_{THL} = 6$ ns (10% to 90%)
 PRR = 1 MHz, 50% duty cycle

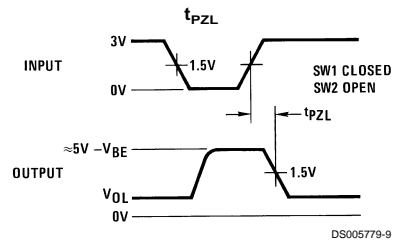
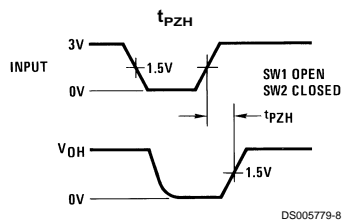
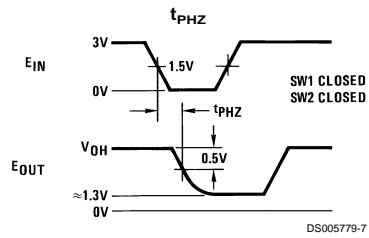
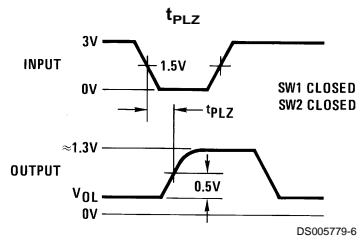
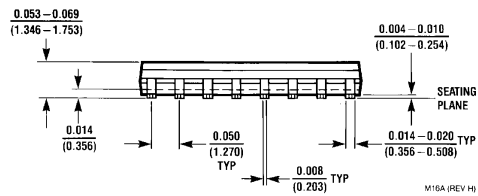
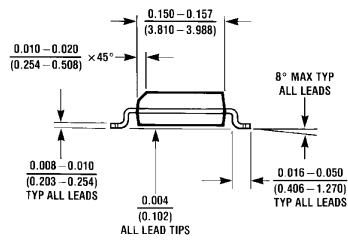
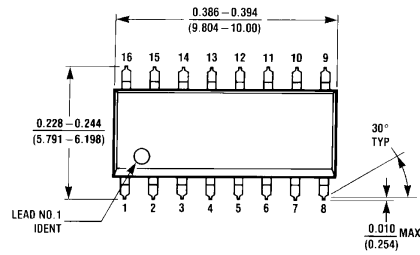
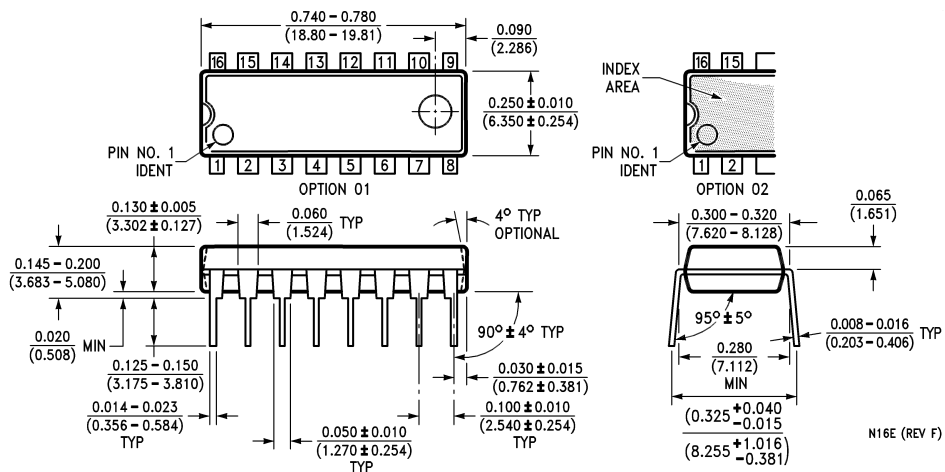


FIGURE 2. Propagation Delay TRI-STATE Control Input to Output

Physical Dimensions inches (millimeters) unless otherwise noted



SO Package (M)
Order Number DS3486M
NS Package Number M16A




Molded Dual-In-Line Package (N)
Order Number DS3486N
NS Package Number N16E

LIFE SUPPORT POLICY

NATIONAL'S PRODUCTS ARE NOT AUTHORIZED FOR USE AS CRITICAL COMPONENTS IN LIFE SUPPORT DEVICES OR SYSTEMS WITHOUT THE EXPRESS WRITTEN APPROVAL OF THE PRESIDENT OF NATIONAL SEMICONDUCTOR CORPORATION. As used herein:

1. Life support devices or systems are devices or systems which, (a) are intended for surgical implant into the body, or (b) support or sustain life, and whose failure to perform when properly used in accordance with instructions for use provided in the labeling, can be reasonably expected to result in a significant injury to the user.
2. A critical component in any component of a life support device or system whose failure to perform can be reasonably expected to cause the failure of the life support device or system, or to affect its safety or effectiveness.

 <p>National Semiconductor Corporation Americas Tel: 1-800-272-9959 Fax: 1-800-737-7018 Email: support@nsc.com</p> <p>www.national.com</p>	<p>National Semiconductor Europe</p> <p>Fax: +49 (0) 1 80-530 85 86 Email: europe.support@nsc.com</p> <p>Deutsch Tel: +49 (0) 1 80-530 85 85 English Tel: +49 (0) 1 80-532 78 32 Français Tel: +49 (0) 1 80-532 93 58 Italiano Tel: +49 (0) 1 80-534 16 80</p>	<p>National Semiconductor Asia Pacific Customer Response Group</p> <p>Tel: 65-2544466 Fax: 65-2504466 Email: sea.support@nsc.com</p>	<p>National Semiconductor Japan Ltd.</p> <p>Tel: 81-3-5620-6175 Fax: 81-3-5620-6179</p>
--	---	---	--

National does not assume any responsibility for use of any circuitry described, no circuit patent licenses are implied and National reserves the right at any time without notice to change said circuitry and specifications.