

DS34LV87T

Enhanced CMOS Quad Differential Line Driver

General Description

The DS34LV87T is a high speed quad differential CMOS driver that is compatible with both TIA/EIA-422-B and CCITT V.11 devices. The CMOS DS34LV87T features low I_{CC} of X mA which makes it ideal for battery powered and power conscious applications.

The TRI-STATE® enable, EN, allow the device to be disabled when the device is not in use to minimize power. The dual enable scheme allows for flexibility in turning the devices on or off.

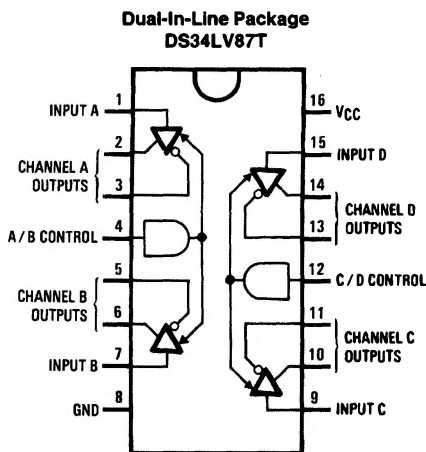
Protection diodes protect all the driver inputs against electrostatic discharge. The driver inputs (DI) are compatible with TTL and CMOS levels.

Features

- Low power design
 - $I_{CC} \leq 500 \mu\text{A}$ max
- Compatible with TIA/EIA-422-B (RS-422) and CCITT V.11 recommendation
- Guaranteed AC parameter:
 - Maximum driver skew
 - Transition time
- Pin compatible with DS34C87T
- Available in SOIC packaging

TBD
TBD

Connection Diagram



TL/F/12645-2

Order Number DS34LV87TM or DS34LV87TN
See NS Package Number M16A or N16A

Truth Table

Enables		Input	Outputs	
EN	$\overline{\text{EN}}$	DI	DO	$\overline{\text{DO}}$
L	H	X	Z	Z
H	L	H	H	L
H	H			
L	L	L	L	H

L = Low logic state X = Irrelevant
H = High logic state Z = TRI-STATE (high impedance)