

DS3885

DS3885 BTL Arbitration Transceiver MIL-STD-883



Literature Number: SNOS715A

DS3885

BTL Arbitration Transceiver MIL-STD-883

General Description

The DS3885 is one in a series of transceivers designed specifically for the implementation of high performance Futurebus+ and proprietary bus interfaces. The DS3885 Arbitration Transceiver is designed to conform to IEEE 1194.1 (Backplane Transceiver Logic—BTL). The Arbitration Transceiver incorporates the competition logic internally which simplifies the implementation of a Futurebus+ application by minimizing the on board logic required.

The DS3885 driver output configuration is an NPN open collector which allows Wired-OR connection on the bus. Each driver output incorporates a Schottky diode in series with its collector to isolate the transistor output capacitance from the bus thus reducing the bus loading in the inactive state.

The BTL drivers also have high sink current capability to comply with the bus loading requirements defined within IEEE 1194.1 BTL specification.

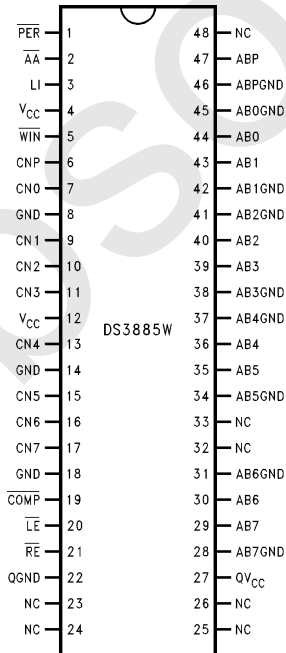
Backplane Transceiver Logic (BTL) is a signaling standard that was invented and first introduced by National Semicon-

(Continued)

Features

- 9-bit inverting BTL transceiver
- Meets IEEE 1194.1 standard on Backplane Transceiver Logic (BTL)
- Includes on chip competition logic and parity checking
- Supports live insertion
- Glitch free power-up/down protection
- Typically less than 5 pF bus-port capacitance
- Low bus-port voltage swing (typically 1V) at 80 mA
- Open collector bus-port output allows Wired-OR connection
- Individual bus-port ground pins minimize ground bounce
- Controlled rise and fall time to reduce noise coupling to adjacent lines
- TTL compatible driver and control inputs
- Built in bandgap reference with separate QV_{CC} and QGND pins for precise receiver thresholds
- Product offered in glass sealed CERPAK package style

Connection Diagram



TL/F/11975-1

Order Number DS3885W/883
See NS Package Number WA48A

TRI-STATE® is a registered trademark of National Semiconductor Corporation.

General Description (Continued)

ductor, then developed by the IEEE to enhance the performance of backplane buses. BTL compatible transceivers feature low output capacitance drivers to minimize bus loading, a 1V nominal signal swing for reduced power consumption and receivers with precision thresholds for maximum noise immunity. BTL eliminates settling time delays that severely limit TTL bus performance, and thus provide significantly higher bus transfer rates. The backplane bus is intended to be operated with termination resistors (selected to match the bus impedance) connected to 2.1V at both ends. The low voltage is typically 1V.

Separate ground pins are provided for each BTL output to minimize induced ground noise during simultaneous switching.

The transceiver's control and driver inputs are designed with high impedance PNP input structures and are fully TTL compatible.

The receiver is a high speed comparator that utilizes a bandgap reference for precision threshold control allowing maximum noise immunity to the BTL 1V signaling level. Separate QV_{CC} and QGND pins are provided to minimize the effects of high current switching noise. The output is TRI-STATE® and fully TTL compatible.

The signals $ab<7:0>$ designate the arbitration bus number which this transceiver places on the bus. The signal names $AB<7:0>$ designate the open collector Wired-OR signals on the backplane bus.

The DS3885 implements an odd parity check on the arbitration bus bits $AB<7:0>$, with ABP being the parity bit. The signal \overline{PER} will indicate the parity check result. For a quick indication of current bus conditions, the bus status block generates \overline{ALLT} (all asserted) status when all bits ($AB<7:0>$) are asserted by any module. This signal is used by the DS3875 Arbitration Controller to detect the Arbitration message number (during phase 1) or the powerfail message number (during phase 2).

To latch the arbitration number into the transceiver, it is placed onto the $CN<7:0>$ port, and the CN_LE signal is asserted. When the \overline{CMPT} signal is asserted, the arbitration number is placed on the bus lines $AB<7:0>$. The WIN_GT signal serves two purposes during the arbitration cycle. If the \overline{CMPT} signal is not asserted during the arbitration cycle, the transceiver compares its internally latched number to the number on the $AB<7:0>$ bus lines. If the internal number on the transceiver is greater than or equal to the number on the $AB<7:0>$ lines, the WIN_GT signal is asserted. However, if the \overline{CMPT} signal is asserted, the transceiver participates in the competition. If the transceiver wins the arbitration, the WIN_GT signal is asserted to confirm the winning. The AB_RE signal is used to enable the on-chip receiver outputs.

The DS3885 supports live insertion as defined in IEEE 896.2 through the LI (Live Insertion) pin. To implement live insertion the LI pin should be connected to the live insertion power connector. If this function is not supported the LI pin must be tied to the V_{CC} pin. The DS3885 also provides glitch free power-up/down protection during power sequencing.

The DS3885 has two types of power connections in addition to the LI pin. They are the Logic V_{CC} (V_{CC}) and the Quiet V_{CC} (QV_{CC}). There are two V_{CC} pins on the DS3885 that provide the supply voltage for the logic and control circuitry. Multiple power pins reduce the effects of package inductance and thereby minimize switching noise. As these pins are common to the V_{CC} bus internal to the device, a voltage difference should never exist between these pins and the voltage difference between V_{CC} and QV_{CC} should never exceed $\pm 0.5V$ because of ESD circuitry.

Additionally, the ESD circuitry between the V_{CC} pins and all other pins except for BTL I/O's and LI pins requires that any voltage on these pins should not exceed the voltage on $V_{CC} + 0.5V$

There are three different types of ground pins on the DS3885. They are the logic ground (GND), BTL grounds ($ABOGND-AB7GND/ABPGND$) and the Bandgap reference ground (QGND). All of these reference pins are isolated within the chip to minimize the effects of high current switching transients. For optimum performance the QGND should be returned to the connector through a quiet channel that does not carry transient switching current. The GND and $ABOGND-AB7GND/ABPGND$ should be connected to the nearest backplane ground pin with the shortest possible path.

Since many different grounding schemes could be implemented and ESD circuitry exists on the DS3885, it is important to note that any voltage difference between ground pins, QGND, GND or $ABOGND-AB7GND$ and $ABPGND$ should not exceed $\pm 0.5V$ including power-up/down sequencing.

Two additional transceivers are included in the military Futurebus+ family. The DS3884A BTL Handshake Transceiver features selectable Wired-OR glitch filtering. The DS3886A BTL 9-bit Latching Data Transceiver contains edge triggered latches in the driver which may be bypassed during a fall-through mode. In addition, the device contains a transparent latch in the receiver section.

The DS3875 Arbitration Controller included in the Futurebus+ family supports all the required and optional modes for Futurebus+ arbitration protocol. It is designed to be used in conjunction with the DS3884A and DS3885 transceivers.

The LOGICAL INTERFACE FUTUREBUS+ ENGINE (LIFE) is a high performance Futurebus+ Protocol Controller designed for IEEE 896.1. The LIFE will handle all handshaking signals between the Futurebus+ and the local bus interface. The Protocol Controller supports the Futurebus+ compelled mode data transfer as both master and slave. The Protocol Controller can be configured to operate in compliance to IEEE 896.2 Profile B mode. The LIFE is IEEE 896.5 compatible. The LIFE incorporates a DMA controller and 64-bit FIFO's for fast queuing.

All of the transceivers are offered in 48-pin CERPAC high density package styles.

Absolute Maximum Ratings (Notes 1 and 2)

The 883 specifications are written to reflect the Reliability Electrical Test Specifications (RETS) established by National Semiconductor for this product. For a copy of the latest RETS please contact your local National Semiconductor sales office or distributor.

Supply Voltage	6.5V
Control Input Voltage	6.5V
Driver Input and Receiver Output	5.5V
Receiver Input Current	± 15 mA
Bus Termination Voltage	2.4V
Power Dissipation at 125°C	0.58W

Storage Temperature Range	-65°C to +150°C
Lead Temperature (Soldering, 4 sec.)	260°C

Recommended Operating Conditions

	Min	Max	Units
Supply Voltage, V_{CC}	4.5	5.5	V
Bus Termination Voltage (V_T)	2.06	2.14	V
Operating Free Air Temperature	-55	+125	°C

DC Electrical Characteristics (Notes 2 and 3) $T_A = -55^\circ\text{C}$ to $+125^\circ\text{C}$, $V_{CC} = 5V \pm 10\%$

Symbol	Parameter	Conditions	Min	Typ	Max	Units
DRIVER AND CONTROL INPUT (CNn, CNP, $\overline{\text{CN}}_{LE}$, $\overline{\text{CMPT}}$, and $\overline{\text{AB}}_{RE}$)						
V_{IH}	Minimum Input High Voltage		2.0			V
V_{IL}	Maximum Input Low Voltage				0.8	V
I_I	Input Leakage Current	$V_{IN} = V_{CC} = 5.5V$			100	μA
I_{IH}	Input High Current	$V_{IN} = 2.4V$			40	μA
I_{IL}	Input Low Current	$V_{IN} = 0.5V$			-100	μA
V_{CL}	Input Diode Clamp Voltage	$I_{CLAMP} = -12\text{ mA}$			-1.2	V
DRIVER OUTPUT/RECEIVER INPUT (ABn and ABP)						
V_{OLB}	Output Low Bus Voltage (Note 5)	$\text{CNn} = \overline{\text{AB}}_{RE} = 2.4V$, $\overline{\text{CN}}_{LE} = \overline{\text{CMPT}} = 0.5V$ $I_{OL} = 80\text{ mA}$	0.75	1.0	1.1	V
I_{OLBZ}	Output Low Bus Current	$\overline{\text{CMPT}} = \overline{\text{AB}}_{RE} = 2.4V$, $\text{ABn} = 0.75V$			-100	μA
I_{OHBZ}	Output High Bus Current	$\overline{\text{CMPT}} = \overline{\text{AB}}_{RE} = 2.4V$, $\text{ABn} = 2.1V$			100	μA
V_{TH}	Receiver Input Threshold		1.47	1.55	1.62	V
V_{CLP}	Positive Clamp Voltage	$V_{CC} = \text{Max or } 0V$, $I_{ABn} = 1\text{ mA}$	2.4	3.4	4.5	V
		$V_{CC} = \text{Max or } 0V$, $I_{ABn} = 10\text{ mA}$	2.9	3.9	5.0	V
V_{CLN}	Negative Clamp Voltage	$I_{CLAMP} = -12\text{ mA}$			-1.2	V
RECEIVER OUTPUT (CNn, CNP, $\overline{\text{ALL}}_T$, $\overline{\text{PER}}$, and $\overline{\text{WIN}}_{GT}$)						
V_{OH}	Voltage Output High	$\text{ABn} = 1.1V$, $\overline{\text{AB}}_{RE} = 0.5V$, $\overline{\text{CMPT}} = \overline{\text{CN}}_{LE} = 2.4V$, $I_{OH} = -2\text{ mA}$	2.4	3.2		V
V_{OL}	Voltage Output Low	$\text{ABn} = 2.1V$, $\overline{\text{AB}}_{RE} = 0.5V$, $\overline{\text{CMPT}} = \overline{\text{CN}}_{LE} = 2.4V$, $I_{OL} = 24\text{ mA}$		0.35	0.5	V
		$\text{ABn} = 2.1V$, $\overline{\text{AB}}_{RE} = 0.5V$, $\overline{\text{CMPT}} = \overline{\text{CN}}_{LE} = 2.4V$, $I_{OL} = 8\text{ mA}$		0.30	0.4	V
I_{OZ}	TRI-STATE Leakage Current	$\text{CNn} = \text{CNP} = 2.4V$, $\overline{\text{AB}}_{RE} = 2.4V$			40	μA
		$\text{CNn} = \text{CNP} = 0.5V$, $\overline{\text{AB}}_{RE} = 2.4V$			-100	μA
I_{OS}	Output Short Circuit Current	$\text{ABn} = 1.1V$, $\overline{\text{AB}}_{RE} = 0.5V$ $\overline{\text{CMPT}} = \overline{\text{CN}}_{LE} = 2.4V$ (Note 4)	-40	-70	-100	mA
SUPPLY CURRENT						
I_{CC}	Supply Current: Includes V_{CC} , QV_{CC} and LI	$\overline{\text{CMPT}} = \overline{\text{CN}}_{LE} = 0.5V$, All $\text{CNn} = \overline{\text{AB}}_{RE} = 2.4V$	75	100		mA
		$\overline{\text{CMPT}} = \overline{\text{CN}}_{LE} = \overline{\text{AB}}_{RE} = 2.4V$	26	40		mA
I_{LI}	Live Insertion Current	$\overline{\text{CMPT}} = \overline{\text{AB}}_{RE} = \text{CNn} = 2.4V$, $\overline{\text{CN}}_{LE} = 0.5V$	1.5	3		mA
		$\overline{\text{CMPT}} = \overline{\text{CN}}_{LE} = 0.5V$, All $\text{CNn} = \overline{\text{AB}}_{RE} = 2.4V$	3	5		mA

DC Electrical Characteristics (Notes 2 and 3) $T_A = -55^{\circ}\text{C}$ to $+125^{\circ}\text{C}$, $V_{CC} = 5\text{V} \pm 10\%$ (Continued)

Note 1: Absolute Maximum Ratings are those beyond which the safety of the device cannot be guaranteed. They are not meant to imply that the device should be operated at these limits. The tables of "Electrical Characteristics" provide conditions for actual device operation.

Note 2: All input and/or output pins shall not exceed $V_{CC} + 0.5\text{V}$ and shall not exceed the absolute maximum rating at any time, including power-up and power-down. This prevents the ESD structure from being damaged due to excessive currents flowing from the input and/or output pins to QV_{CC} and V_{CC} . There is a diode between each input and/or output to V_{CC} which is forward biased when incorrect sequencing is applied. LI and Bn pins do not have power sequencing requirements with respect to V_{CC} and QV_{CC} .

Note 3: All currents into device pins are positive; all currents out of device pins are negative. All voltages are referenced to device ground unless otherwise specified. All typical values are specified under these conditions: $V_{CC} = 5\text{V}$ and $T_A = 25^{\circ}\text{C}$, unless otherwise stated.

Note 4: Only one output should be shorted at a time, and duration of the short not to exceed one second.

Note 5: Referenced to appropriate signal ground. Do not exceed maximum power dissipation of package.

AC Electrical Characteristics $T_A = -55^{\circ}\text{C}$ to $+125^{\circ}\text{C}$, $V_{CC} = 5\text{V} \pm 10\%$ (Note 6)

Symbol	Parameter	Conditions	Min	Typ	Max	Units
DRIVER (Figures 1 and 2)						
t_{PHL}	CN \overline{LE} to AB7 Propagation Delay	$\overline{CMPT} = 0\text{V}$, $AB\overline{RE} = 3\text{V}$	7	13	18	ns
t_{PLH}			6	10	24	ns
t_r	Transition Time—Rise/Fall 20% to 80%	$AB\overline{RE} = 3\text{V}$, $\overline{CMPT} = CN\overline{LE} = 0$		3		ns
t_f		$AB\overline{RE} = 3\text{V}$, $\overline{CMPT} = CN\overline{LE} = 0$		1		ns
DRIVER TIMING REQUIREMENTS (Figures 1 and 2)						
t_S	CNn to CN \overline{LE} Set-Up Time	$AB\overline{RE} = 3\text{V}$, $\overline{CMPT} = 0\text{V}$	9			ns
t_H	CN \overline{LE} to CNn Hold Time	$AB\overline{RE} = 3\text{V}$, $\overline{CMPT} = 0\text{V}$	0			ns
t_{PW}	CN \overline{LE} Pulse Width	$AB\overline{RE} = 3\text{V}$, $\overline{CMPT} = 0\text{V}$	15			ns
RECEIVER						
t_{PHL}	ABn to CNn Propagation Delay	$AB\overline{RE} = 0\text{V}$, $\overline{CMPT} = CN\overline{LE} = 3\text{V}$ (Figures 4 and 5)	5	13	22	ns
t_{PLH}			3	15	23	ns
t_{PLZ}	AB \overline{RE} to CNn	$\overline{CMPT} = CN\overline{LE} = 3\text{V}$, $ABn = 2.1\text{V}$ (Figures 6 and 7)	3	6	12	ns
t_{PZL}			Enable Time	5	9	13
t_{PHZ}		$\overline{CMPT} = CN\overline{LE} = 3\text{V}$, $ABn = 1.1\text{V}$ (Figures 6 and 7)	4	7	13	ns
t_{PZH}			Enable Time	3	6	11
OTHERS						
t_{PHL}	AB0 to $\overline{ALL1}$ Propagation Delay	All Asserted Condition	7	16	28	ns
t_{PLH}			7	16	26	ns
t_{PHL}	AB0 to $\overline{WIN_GT}$ Propagation Delay	Win Condition	6	14	23	ns
t_{PLH}			$\overline{CMPT} = CN\overline{LE} = 0\text{V}$, $AB\overline{RE} = 3\text{V}$, $CN <7:0> = 0\text{V}$ $AB <7:0> = 2.1\text{V}$ (Figures 4 and 9)	6	14	23
t_{PHL}	AB0 to $\overline{WIN_GT}$ Propagation Delay	Greater Than Condition	6	16	27	ns
t_{PLH}			$\overline{CMPT} = AB\overline{RE} = 3\text{V}$, $CN\overline{LE} = 0\text{V}$, $CN <7:1> = 0\text{V}$, $CN0 = 3\text{V}$ $AB <7:0> = 2.1\text{V}$ (Figures 4 and 9)	6	16	26
t_{PHL}	ABP to \overline{PER} Propagation Delay	Parity Error Condition	6	13	23	ns
t_{PLH}			$\overline{CMPT} = CN\overline{LE} = AB\overline{RE} = 3\text{V}$, $AB <7:1> = 1.1\text{V}$, $AB0 = 2.1\text{V}$ (Figures 4 and 8)	4	13	23
t_{PHL}	ABn to AB $<n-1>$ Propagation Delay	$\overline{CMPT} = CN\overline{LE} = 0\text{V}$, $AB\overline{RE} = 3\text{V}$, $CNn = 0\text{V}$, $CN <n-1> = 3\text{V}$, $CN <7:n+1> = 0\text{V}$, $AB <7:n+1> = 2.1\text{V}$ (Figures 1 and 10)	5	12	22	ns
t_{PLH}			3	13	28	ns
t_{PHL}	\overline{CMPT} to AB7 Propagation Delay	$CN\overline{LE} = 0\text{V}$, $AB\overline{RE} = CN7 = 3\text{V}$ (Figures 1 and 3)	4	8	14	ns
t_{PLH}			5	9	22	ns
t_{PHL}	AB7 to ABP Propagation Delay	$\overline{CMPT} = CN\overline{LE} = 0\text{V}$, $AB\overline{RE} = CNP = 3\text{V}$, $CN <7:0> = 0\text{V}$ (Figures 1 and 10)		36	60	ns
t_{PLH}				36	65	ns

AC Electrical Characteristics $T_A = -55^{\circ}\text{C}$ to $+125^{\circ}\text{C}$, $V_{CC} = 5\text{V} \pm 10\%$ (Note 6) (Continued)

Symbol	Parameter	Conditions	Min	Typ	Max	Units
PARAMETERS NOT TESTED						
C_{output}	Capacitance at Bn	(Note 7)		5		pF
t_{NR}	Noise Rejection	(Note 8)		1		ns

Note 6: All input rise/fall times should be 3 ns.

Note 7: This parameter is tested using TDR techniques described in 1194.0 BTL Backplane Design Guide.

Note 8: This parameter is tested during device characterization. The measurement revealed that the part will typically reject 1 ns pulse width.

Pin Description

Pin Name	Number of Pins	Input/Output	Description
$\overline{\text{ALL1}}$	1	O	TTL—All asserted (A logic “1” indicates that all the competition bits are asserted.)
$\text{AB}<7:0>$	8	I/O	BTL—Futurebus+ Wired-OR competition bits
ABP	1	I/O	BTL—Futurebus+ Wired-OR competition parity bit
$\text{AB}<7:0>$ and ABP GND	9	NA	Parallel driver grounds reduce ground bounce due to high current switching of driver outputs (Note 9)
$\text{CN}<7:0>$	8	I/O	TTL TRI-STATE—Module competition bits
CNP	1	I	TTL TRI-STATE—Module competition parity bit
$\overline{\text{CMPT}}$	1	I	TTL—Competition bit (A logic “0” indicates that the module will compete in the arbitration.)
GND	3	NA	Ground for switching circuits. (Note 9)
CN_IE	1	I	TTL—CNn latch enable (A logic “0” indicates that the $\text{CN}<n>$ logic states are latched with corresponding parity bit).
LI	1	NA	Power supply for live insertion. Boards that require live insertion should connect LI to the live insertion pin on the connector. (Note 10)
NC	7	NA	No connect
$\overline{\text{PER}}$	1	O	TTL—ABn odd parity (A logic “0” indicates parity error)
AB_RE	1	I	TTL—Receiver Enable (A logic “0” enables receivers)
QGND	1	NA	Ground for receiver input bandgap reference and non-switching circuits. (Note 9)
QV_{CC}	1	NA	V_{CC} supply for bandgap reference and non-switching circuits. (Note 2)
V_{CC}	2	NA	V_{CC} supply for switching circuits. (Note 10)
$\overline{\text{WIN_GT}}$	1	O	TTL—Win signal (active low). During competition, $\overline{\text{WIN_GT}}$ indicates that the module has won the competition. For a module not participating in the competition, $\overline{\text{WIN_GT}}$ indicates that the module has a number which is greater than winner's number.

Note 9: The multiplicity of parallel ground paths, reduces the effective inductance of bonding wires and leads, which then reduces the noise caused by transients on the ground path. The various ground pins can be tied together provided that the external ground has low inductance (i.e., ground plane with power pins and many signal pins connected to the backplane ground). If the external ground floats considerably during transients, precautionary steps should be taken to prevent QGND from moving with reference to the backplane ground. The receiver threshold should have the same ground reference as the signal coming from the backplane. A voltage offset between their grounds will degrade the noise margin.

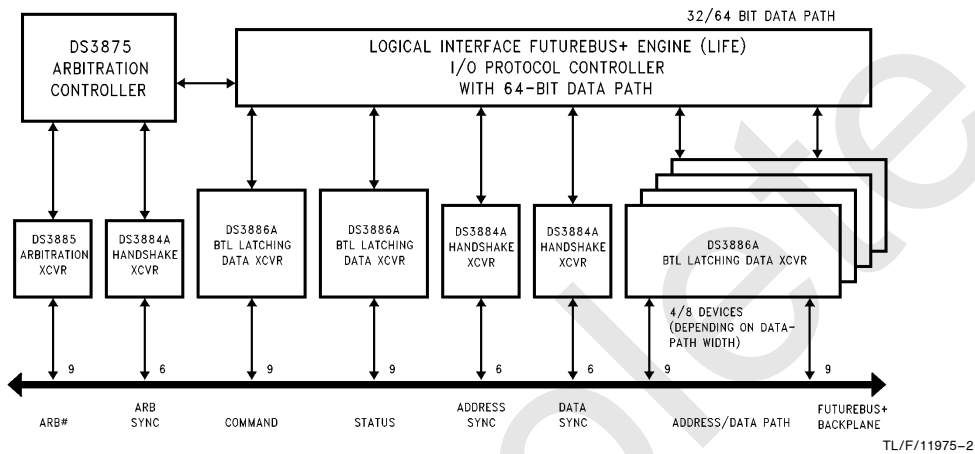
Note 10: The same considerations for ground are used for V_{CC} in reducing lead inductance. (See Note 9) QV_{CC} and V_{CC} should be tied together externally. If live insertion is not supported, the LI pin can be tied together with QV_{CC} and V_{CC} .

Package Thermal Characteristics

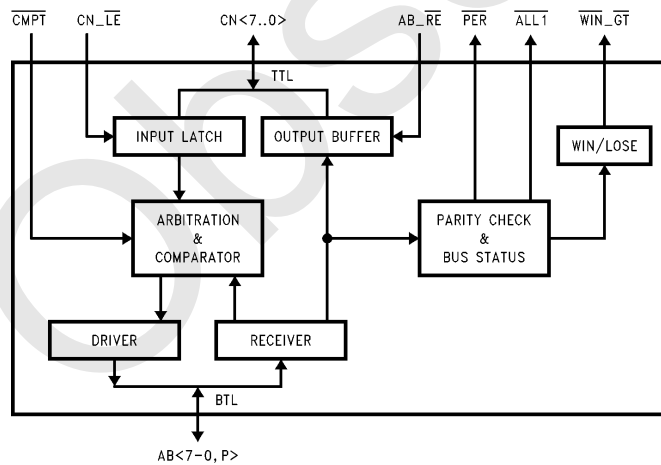
Linear Feet Per Minute Air Flow (LFPM)	θ_{ja} (°C/W) 48-Pin CFP
0	78.8
225	55.4
500	44.6
900	35.5

Note: The above values are typical values and are different from the Absolute Maximum Rating values, which include guardbands.

Typical Application

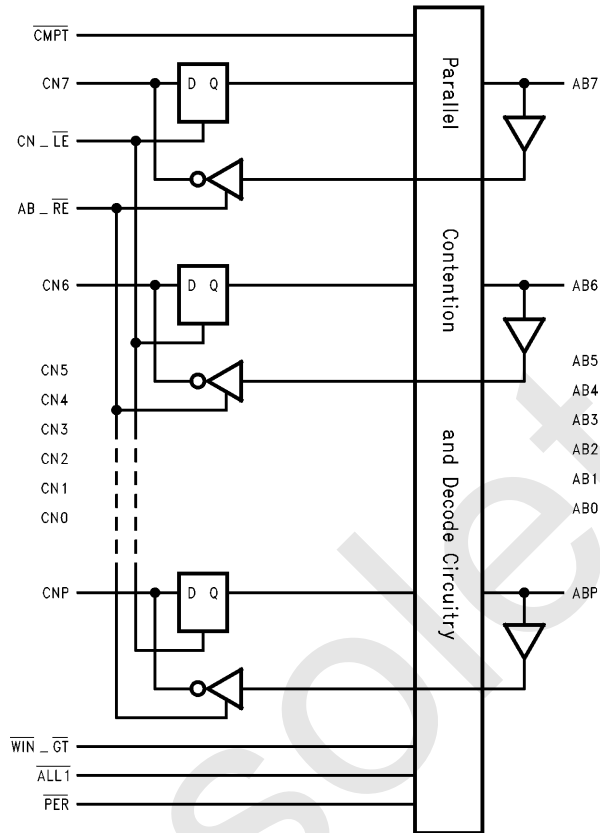


DS3885 Block Diagram



Function Diagram

Parallel Implementation of Parallel Contention Logic



TL/F/11975-4

Test Circuits and Timing Waveforms

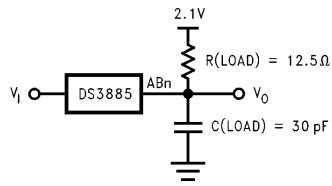


FIGURE 1. Driver Propagation Delay Set-up
TL/F/11975-5

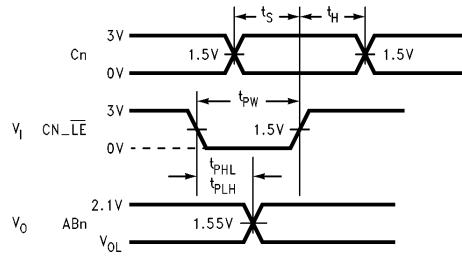


FIGURE 2. Driver: CN \overline{LE} to AB7, t_s , t_h , t_{pw}
TL/F/11975-6

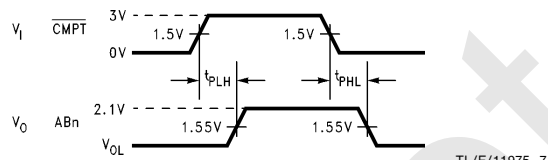


FIGURE 3. Driver: \overline{CMPT} to AB7
TL/F/11975-7

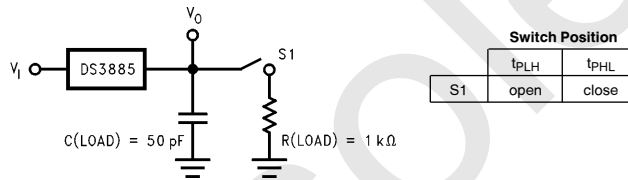


FIGURE 4. Receiver Propagation Delay Set-Up
TL/F/11975-8

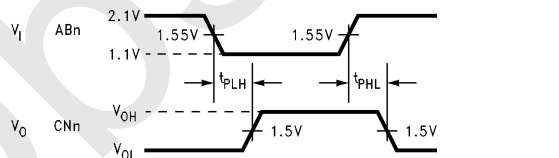
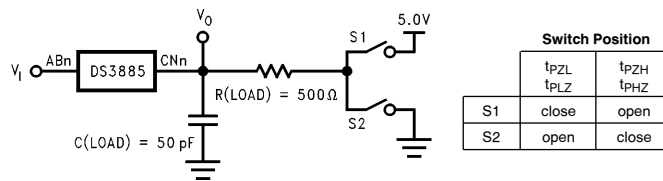


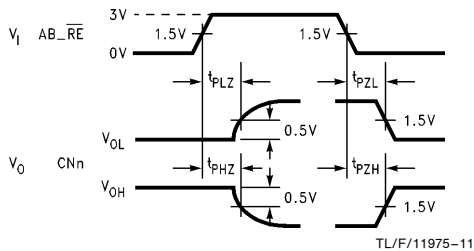
FIGURE 5. Receiver: ABn to CNn
TL/F/11975-9

Test Circuits and Timing Waveforms (Continued)



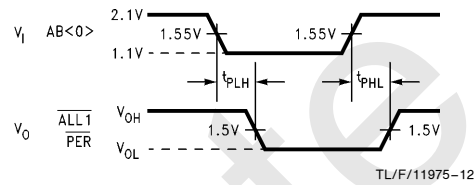
TL/F/11975-10

FIGURE 6. Receiver Enable/Disable Set-Up



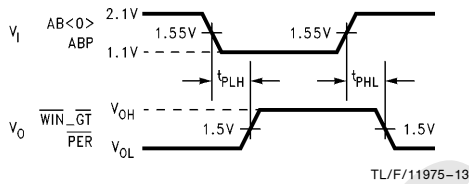
TL/F/11975-11

FIGURE 7. Receiver: $\overline{AB_RE}$ to CNn



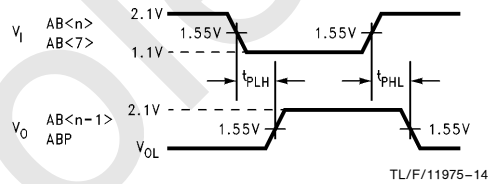
TL/F/11975-12

FIGURE 8. AB0 to $\overline{ALL1}$, AB0 to \overline{PER}



TL/F/11975-13

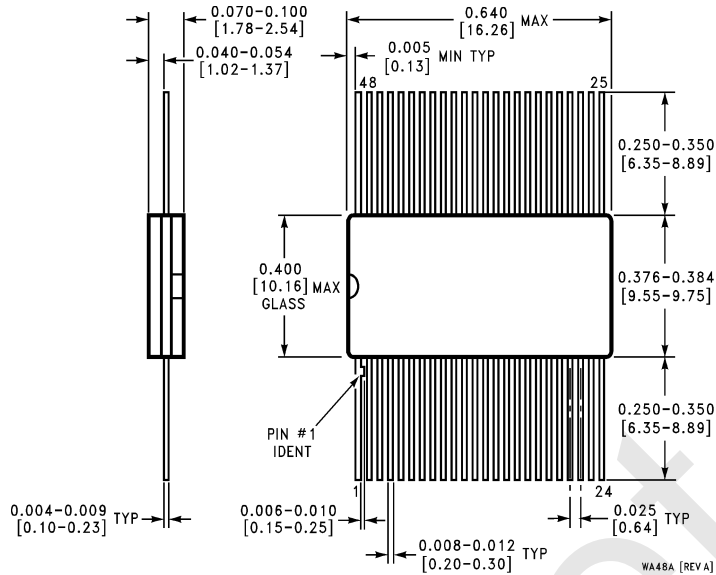
FIGURE 9. AB0 to $\overline{WIN_GT}$, ABP TO \overline{PER}



TL/F/11975-14

FIGURE 10. ABn to AB<n-1>, AB7 to ABP

Physical Dimensions inches (millimeters)



Order Number DS3885W/883
NS Package Number WA48A

LIFE SUPPORT POLICY

NATIONAL'S PRODUCTS ARE NOT AUTHORIZED FOR USE AS CRITICAL COMPONENTS IN LIFE SUPPORT DEVICES OR SYSTEMS WITHOUT THE EXPRESS WRITTEN APPROVAL OF THE PRESIDENT OF NATIONAL SEMICONDUCTOR CORPORATION. As used herein:

1. Life support devices or systems are devices or systems which, (a) are intended for surgical implant into the body, or (b) support or sustain life, and whose failure to perform, when properly used in accordance with instructions for use provided in the labeling, can be reasonably expected to result in a significant injury to the user.
2. A critical component is any component of a life support device or system whose failure to perform can be reasonably expected to cause the failure of the life support device or system, or to affect its safety or effectiveness.



National Semiconductor Corporation
 1111 West Bardin Road
 Arlington, TX 76017
 Tel: 1(800) 272-9959
 Fax: 1(800) 737-7018

National Semiconductor Europe
 Fax: (+49) 0-180-530 85 86
 Email: cnjwge@tevm2.nsc.com
 Deutsch Tel: (+49) 0-180-530 85 85
 English Tel: (+49) 0-180-532 78 32
 Français Tel: (+49) 0-180-532 93 58
 Italiano Tel: (+49) 0-180-534 16 80

National Semiconductor Hong Kong Ltd.
 19th Floor, Straight Block,
 Ocean Centre, 5 Canton Rd.
 Tsimshatsui, Kowloon
 Hong Kong
 Tel: (852) 2737-1600
 Fax: (852) 2736-9960

National Semiconductor Japan Ltd.
 Tel: 81-043-299-2309
 Fax: 81-043-299-2408

National does not assume any responsibility for use of any circuitry described, no circuit patent licenses are implied and National reserves the right at any time without notice to change said circuitry and specifications.

IMPORTANT NOTICE

Texas Instruments Incorporated and its subsidiaries (TI) reserve the right to make corrections, modifications, enhancements, improvements, and other changes to its products and services at any time and to discontinue any product or service without notice. Customers should obtain the latest relevant information before placing orders and should verify that such information is current and complete. All products are sold subject to TI's terms and conditions of sale supplied at the time of order acknowledgment.

TI warrants performance of its hardware products to the specifications applicable at the time of sale in accordance with TI's standard warranty. Testing and other quality control techniques are used to the extent TI deems necessary to support this warranty. Except where mandated by government requirements, testing of all parameters of each product is not necessarily performed.

TI assumes no liability for applications assistance or customer product design. Customers are responsible for their products and applications using TI components. To minimize the risks associated with customer products and applications, customers should provide adequate design and operating safeguards.

TI does not warrant or represent that any license, either express or implied, is granted under any TI patent right, copyright, mask work right, or other TI intellectual property right relating to any combination, machine, or process in which TI products or services are used. Information published by TI regarding third-party products or services does not constitute a license from TI to use such products or services or a warranty or endorsement thereof. Use of such information may require a license from a third party under the patents or other intellectual property of the third party, or a license from TI under the patents or other intellectual property of TI.

Reproduction of TI information in TI data books or data sheets is permissible only if reproduction is without alteration and is accompanied by all associated warranties, conditions, limitations, and notices. Reproduction of this information with alteration is an unfair and deceptive business practice. TI is not responsible or liable for such altered documentation. Information of third parties may be subject to additional restrictions.

Resale of TI products or services with statements different from or beyond the parameters stated by TI for that product or service voids all express and any implied warranties for the associated TI product or service and is an unfair and deceptive business practice. TI is not responsible or liable for any such statements.

TI products are not authorized for use in safety-critical applications (such as life support) where a failure of the TI product would reasonably be expected to cause severe personal injury or death, unless officers of the parties have executed an agreement specifically governing such use. Buyers represent that they have all necessary expertise in the safety and regulatory ramifications of their applications, and acknowledge and agree that they are solely responsible for all legal, regulatory and safety-related requirements concerning their products and any use of TI products in such safety-critical applications, notwithstanding any applications-related information or support that may be provided by TI. Further, Buyers must fully indemnify TI and its representatives against any damages arising out of the use of TI products in such safety-critical applications.

TI products are neither designed nor intended for use in military/aerospace applications or environments unless the TI products are specifically designated by TI as military-grade or "enhanced plastic." Only products designated by TI as military-grade meet military specifications. Buyers acknowledge and agree that any such use of TI products which TI has not designated as military-grade is solely at the Buyer's risk, and that they are solely responsible for compliance with all legal and regulatory requirements in connection with such use.

TI products are neither designed nor intended for use in automotive applications or environments unless the specific TI products are designated by TI as compliant with ISO/TS 16949 requirements. Buyers acknowledge and agree that, if they use any non-designated products in automotive applications, TI will not be responsible for any failure to meet such requirements.

Following are URLs where you can obtain information on other Texas Instruments products and application solutions:

Products

Audio	www.ti.com/audio
Amplifiers	amplifier.ti.com
Data Converters	dataconverter.ti.com
DLP® Products	www.dlp.com
DSP	dsp.ti.com
Clocks and Timers	www.ti.com/clocks
Interface	interface.ti.com
Logic	logic.ti.com
Power Mgmt	power.ti.com
Microcontrollers	microcontroller.ti.com
RFID	www.ti-rfid.com
OMAP Mobile Processors	www.ti.com/omap
Wireless Connectivity	www.ti.com/wirelessconnectivity

Applications

Communications and Telecom	www.ti.com/communications
Computers and Peripherals	www.ti.com/computers
Consumer Electronics	www.ti.com/consumer-apps
Energy and Lighting	www.ti.com/energy
Industrial	www.ti.com/industrial
Medical	www.ti.com/medical
Security	www.ti.com/security
Space, Avionics and Defense	www.ti.com/space-avionics-defense
Transportation and Automotive	www.ti.com/automotive
Video and Imaging	www.ti.com/video

TI E2E Community Home Page

e2e.ti.com

Mailing Address: Texas Instruments, Post Office Box 655303, Dallas, Texas 75265
Copyright © 2011, Texas Instruments Incorporated