

# DATA SHEET

## **FI1216MF MK2**

Desktop video tuner  
multi system CCIR L/L' and B/G

Preliminary specification  
File under BU Tuners, DC03

1996 Jul 09

## Desktop video tuner multi system CCIR L/L' and B/G

### FI1216MF MK2

#### FEATURES

- Systems CCIR L/L' and B/G
- True 5 V device (low power dissipation)
- Full frequency range from channel 2 (48.25 MHz) to channel 69 (855.25 MHz)
- PLL controlled tuning
- True-synchronous vision IF demodulator (PLL)
- Demodulated video output, AF sound output, second sound IF output
- I<sup>2</sup>C-bus control of tuning, address selection, AFC status information
- Complies with European regulations on radiation, signal handling and immunity ("CENELEC 55020, 55013")
- Small horizontally mounted metal housing.



The FI1216MF MK2 consists of a tuner section and an IF section, which are all designed on a single PCB. The front-end is assembled in a metal housing made of a rectangular tin plated steel frame with front and rear covers which have soldered contacts to the frame. A single phono or IEC aerial socket is mounted on one side of the frame. All other connections are made via pins at the bottom.

The tuner section is equipped with 3 tuned RF MOSFET input stages, with a 3-band mixer-oscillator IC, containing the oscillators, mixers and IF amplifier. Tuning and band switching in the tuner section are done with a digital programmable PLL tuning system. This enables tuning with step-size programmable between 31.25, 50.0 or 62.5 kHz. A DC-DC converter is built around the PLL synthesizer IC to provide the tuning voltage, thus making the FI1216MF MK2 front-end a true 5 V device.

The IF section uses a true-synchronous vision IF demodulator (PLL) with an intercarrier SAW filter in front of it. The analog AFC voltage is fed to the 5-level A/D converter in the PLL tuning IC, so that the AFC status can be read via the I<sup>2</sup>C-bus.

#### DESCRIPTION

The FI1200MK2 family of front ends are designed to meet a wide range of RF applications in the PC Multi-Media environment.

The FI1216MF MK2 type are available with a single 75  $\Omega$  input for TV reception. The input connector is available in either standard phono (female socket) or IEC (female socket).

The tuning and bandswitching are performed through the built-in digitally controlled I<sup>2</sup>C-bus. All front ends meet the input immunity and radiation requirements of CENELEC.

#### ORDERING INFORMATION

TYPE	DESCRIPTION	CATALOGUE NUMBERS
FI1216MF MK2/HM/PH	standard phono	3139 147 13571
FI1216MF MK2/HM/IEC	IEC	3139 147 13581

#### MARKING

The following items of information are printed on a sticker that is on the top cover of the tuner:

- Type number
- Code number
- Origin letter of factory
- Change code
- Year and week code.

Desktop video tuner  
multi system CCIR L/L' and B/G

F11216MF MK2

**INTERMEDIATE FREQUENCIES**

SYSTEM	FREQUENCY <sup>(1)</sup> (MHz)		
	L	L'	PAL B/G
Picture carrier	38.90	33.95	38.90
Colour	34.47	38.38	34.47
Sound 1	32.40	40.45	33.40
Sound 2	–	–	33.16
NICAM	33.05	39.80	33.05

**Note**

1. The oscillator frequency is above the input signal frequency.

**CHANNEL COVERAGE**

BAND	CHANNELS
Low band	48.25 to 170.00 MHz
Mid band	170.00 to 450.00 MHz
High band	450.00 to 855.25 MHz

**PINNING**

SYMBOL	PIN	DESCRIPTION
V <sub>T</sub>	11	tuning voltage (monitor)
V <sub>S</sub>	12	supply voltage tuner section +5 V
SCL	13	I <sup>2</sup> C-bus serial clock
SDA	14	I <sup>2</sup> C-bus serial data
AS	15	I <sup>2</sup> C-bus address select
n.c.	21	not connected
2 <sup>nd</sup> IF sound output	22	second IF sound output
CVBS	23	Composite Video Baseband Signal output
V <sub>IF</sub>	24	supply voltage IF section +5 V
AF sound output	25	AF sound output
–	TH1, TH2, TH3 and TH4	mounting tags (ground)

# Desktop video tuner multi system CCIR L/L' and B/G

FI1216MF MK2

## BLOCK DIAGRAM

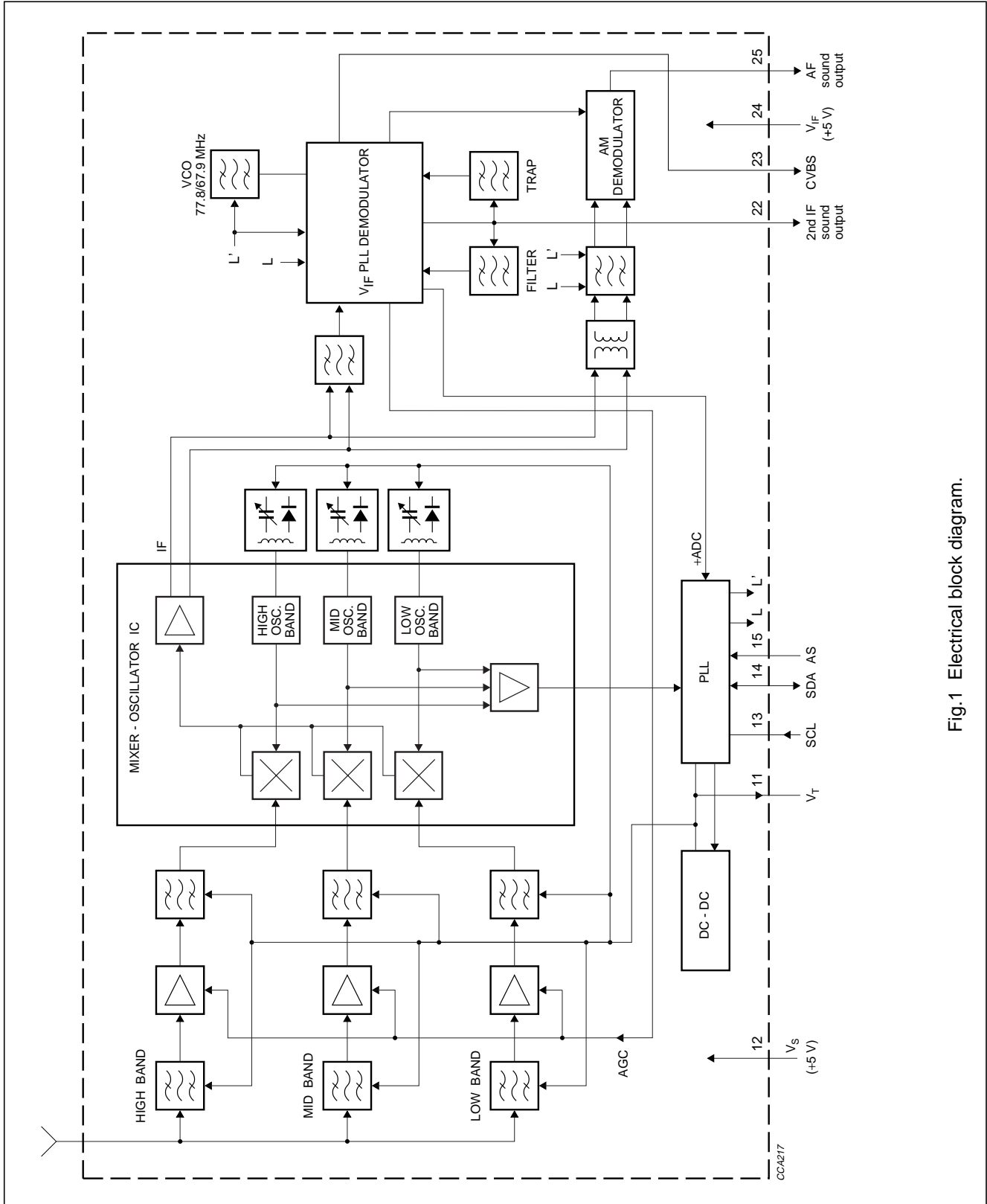


Fig.1 Electrical block diagram.

# Desktop video tuner multi system CCIR L/L' and B/G

## FI1216MF MK2

### LIMITING VALUES

#### Limiting values under operational conditions

The tuner can be guaranteed to function properly under the following conditions.

SYMBOL	PARAMETER	PIN	MIN.	TYP.	MAX.	UNIT
$V_S$	supply voltage	12	4.75	5.00	5.25	V
$V_{S(\text{ripple})}$	peak-to-peak ripple voltage susceptibility (at 5 V $\pm 5\%$ ); note 1 20 Hz to 100 kHz >100 kHz to 500 kHz		–	–	20	mV
			–	–	10	mV
$I_S$	supply current		–	–	120	mA
$V_{SCL}$	SCL bus input voltage	13	–0.3	–	+5.25	V
$V_{SDA}$	SDA bus input voltage	14	–0.3	–	+5.25	V
$I_{SDA}$	SDA bus current (open collector)		–1	–	+5	mA
$V_{AS}$	address select voltage; note 2	15	–	–	+5.25	V
$Z_{IF}$	2 <sup>nd</sup> IF sound output load impedance: DC AC	22	0.5	–	–	k $\Omega$
			0.5	–	–	k $\Omega$
$Z_{CVBS}$	Composite Video Baseband Signal load impedance: DC AC	23	–	75	–	$\Omega$
			–	75	–	$\Omega$
$t_L$	load time constant		–	–	100	ns
$V_{IF}$	IF supply voltage	24	4.75	5.0	5.25	V
$V_{IF(\text{ripple})}$	peak-to-peak ripple voltage susceptibility (at 5 V $\pm 5\%$ ); note 1 20 Hz to 100 kHz >100 kHz to 500 kHz		–	–	20	mV
			–	–	10	mV
$I_{IF}$	IF supply current		–	–	100	mA
$Z_{AF}$	AF sound output load impedance: DC AC	25	1.0	–	–	k $\Omega$
			0.6	–	–	k $\Omega$

#### Notes

1. Sinusoidal ripple voltage superimposed on the 5 V supply voltage in the frequency range of 20 Hz to 500 kHz. Criteria for TV interference >57 dB.
2. For detailed information about the address decoding, refer to Chapter "Application information".

Desktop video tuner  
multi system CCIR L/L' and B/G

FI1216MF MK2

**Environmental conditions**

SYMBOL	PARAMETER	CONDITIONS	MIN.	TYP.	MAX.	UNIT
<b>Non-operational conditions</b>						
T <sub>amb</sub>	ambient temperature		-25	-	+85	°C
RH	relative humidity		-	-	100	%
g <sub>B</sub>	bump acceleration	25 g	-	-	245	m/s <sup>2</sup>
g <sub>S</sub>	shock acceleration	50 g	-	-	490	m/s <sup>2</sup>
	vibration amplitude	10 to 55 Hz	-	0.35	-	mm
<b>Operational conditions</b>						
T <sub>amb</sub>	ambient temperature		-10	-	+60	°C
RH	relative humidity		-	-	95	%

**OVERALL PERFORMANCE****Conditional data**

Unless otherwise specified, all electrical values for Chapter "Overall performance" apply at the following conditions.

SYMBOL	PARAMETER	VALUE	UNIT
T <sub>amb</sub>	ambient temperature	25 ±5	°C
RH	relative humidity	60 ±15	%
V <sub>S</sub>	supply voltage (tuner and IF section)	5 ±0.125	V
Z <sub>CVBS</sub>	video output load impedance (DC)	>75	Ω
Z <sub>IF</sub>	IF sound output load impedance (DC)	>500	Ω
t <sub>pr</sub>	pre-heating time (+5 V at pin 24)	10	minute
Z <sub>S(AE)</sub>	aerial source impedance (unbalanced)	75	Ω

---

**Desktop video tuner**  
**multi system CCIR L/L' and B/G**


---

**FI1216MF MK2**


---

**TUNER SECTION****Tuner characteristics**

For detailed information about the PLL programming, refer to Chapter "Application information".

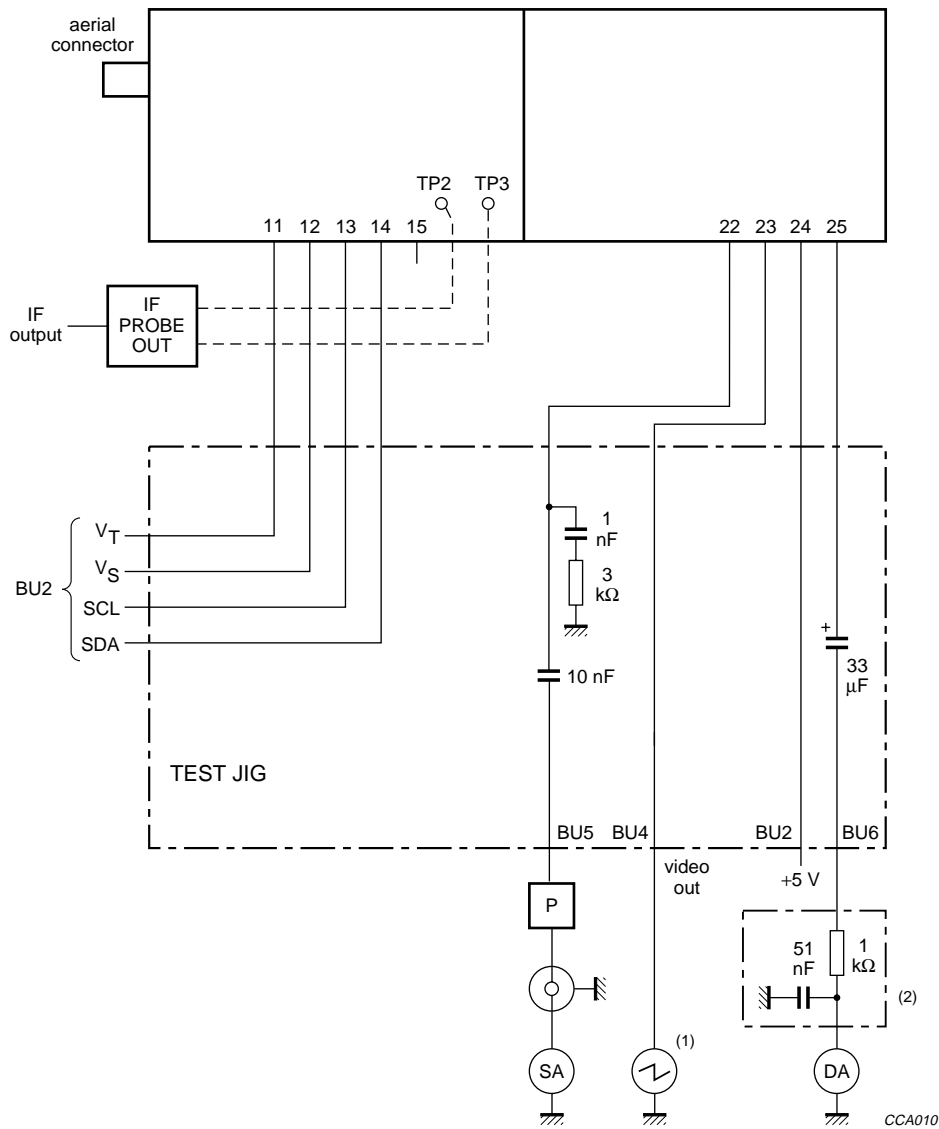
The desktop video tuner is guaranteed to function properly within the specified operational conditions, but a certain deterioration of performance parameters may occur at the limits of the operational conditions.

**Test equipment**

<b>EQUIPMENT</b>	<b>PARAMETER</b>	<b>VALUE</b>	<b>UNIT</b>
DC voltmeter	input impedance	>1	MΩ
Oscilloscope	input impedance: resistance capacitance	>1 <15	MΩ pF
Spectrum analyzer	input impedance	50	Ω
FET probe	input impedance: resistance capacitance	1 3.5	MΩ pF
	output impedance	50	Ω
	voltage gain	0	dB

Desktop video tuner  
multi system CCIR L/L' and B/G

FI1216MF MK2



- (1) BU4 loaded with 75 Ω.
- (2) 50 μs de-emphasis.
- SA = spectrum analyzer.
- P = FET probe.
- DA = distortion analyzer.

Fig.2 Typical test set-up.



Desktop video tuner  
multi system CCIR L/L' and B/G

FI1216MF MK2

## Definitions of test signals (see Fig.2)

TEST SIGNAL	FREQ. (MHz)	AMPLITUDE	MODULATION	
			VIDEO	AUDIO
A0: unmodulated vision carrier	480.25	60 dB $\mu$ V		
A1: L system signal with video modulation; see note 1	480.25	60 dB $\mu$ V (peak white)	100% (sync. level at 0%) 2T pulse and bar	
A2: B/G system signal with video modulation	480.25	60 dB $\mu$ V (top sync)	100% (rest carrier 10%) 2T pulse and bar	
A3: B/G system signal with video modulation	480.25	60 dB $\mu$ V	100% (rest carrier 10%) 15625 kHz horizontal frequency square wave	
B1: unmodulated main sound carrier B/G system	485.75	-13 dB w.r.t. A2		
B2: AM modulated sound carrier L system	486.75	-10 dB w.r.t. A0 to A1		m = 0.54; modulation frequency 1 kHz
B3 FM modulated main sound carrier B/G system	485.75	-13 dB w.r.t. A2		1 kHz; modulation frequency deviation $\pm 27$ kHz; 50 $\mu$ s pre-emphasis
B4: unmodulated second sound carrier B/G system	486.10	-20 dB w.r.t. A0 to A1		

**Note**

- Line 17 and 330 shall always contain a composite video signal (ITS lines).

Desktop video tuner  
multi system CCIR L/L' and B/G

F11216MF MK2

## Aerial input characteristics

SYMBOL	PARAMETER	CONDITIONS	MIN.	MAX.	UNIT
V <sub>SWR</sub>	reflection coefficient	referred to 75 Ω impedance (worst case on or between picture and sound carrier at maximum gain)	–	5	
V <sub>PSM</sub>	surge protection voltage		5	–	kV
V <sub>ant</sub>	antenna connection disturbance voltage	<1.75 GHz	–	46	dBμV

## General characteristics

SYMBOL	PARAMETER	CONDITIONS	MIN.	TYP.	MAX.	UNIT
f <sub>b</sub>	frequency range: low band mid band high band		48.25 175.25 455.25	– – –	168.25 447.25 855.25	MHz MHz MHz
Δf <sub>b</sub>	margin: for low band for mid/high band		1.5 3	– –	– –	MHz MHz
α <sub>i</sub>	image rejection (nominal gain to 10 dB gain reduction): low band mid band mid band high band	<300 MHz >300 MHz	70 66 60 50	– – – –	– – – –	dB dB dB dB
α <sub>IF</sub>	IF rejection (picture)		60	–	–	dB
Z <sub>IF</sub>	1/2 IF susceptibility: E2 to E12 E21 to E69		75 60	– –	– –	dBμV dBμV
α <sub>S</sub>	sound-chrominance moiré rejection: off-air UHF	up to 40 dB gain control up to 30 dB minimum gain control	56 56	– –	– –	dB dB
m <sub>x</sub>	cross modulation: in-channel in-band low band (n ±2) mid band (n ±3) high band (n ±5) out of band		70 78 78 84 –	– – – – 100	– – – – –	dBμV dBμV dBμV dBμV dBμV
	breakthrough susceptibility: E2 to E12; E21 to E69		60	–	–	dBμV

Desktop video tuner  
multi system CCIR L/L' and B/G

F11216MF MK2

SYMBOL	PARAMETER	CONDITIONS	MIN.	TYP.	MAX.	UNIT
$V_{osc}$	oscillator voltage at all pins		–	–	70	dB $\mu$ V
$t_{li}$	oscillators lock-in time	charge pump set logic HIGH	–	–	150	ms
$\alpha_{vs}$	the video signal-to-sound interference ratio with the tuner exposed to sound signals in the audio frequency range 100 Hz to 10 kHz and sound pressure levels up to 105 dB (20 $\mu$ Pa)		40	–	–	dB
$V_{ESD}$	electrostatic discharge (ESD) on all pins	note 1	2	–	–	kV

**Note**

1. All the pins of the desktop video tuner are protected against electrostatic discharge (ESD) up to 2 kV. The product is classified in category B ("MIL-STD-883C").

Desktop video tuner  
multi system CCIR L/L' and B/G

FI1216MF MK2

## Video and audio characteristics (see Fig.2)

PARAMETER	TEST SIGNAL	TEST POINT	MIN.	TYP.	MAX.	UNIT
CVBS characteristics:						
video amplitude signal at pin 23	A1 (peak-to-peak value)	BU4	0.7	0.9	1.1	V
DC level sync pulse at pin 23	A1	BU4	–	0.35	–	V
Video amplitude drop with respect to modulation 0.1 MHz at $T_{amb} = 45\text{ }^{\circ}\text{C}$ :						
at 2 MHz	A1	BU4	–1.5	–	+1.5	dB
at 3 MHz	A1	BU4	–2.5	–	+1.5	dB
at 4 MHz	A1	BU4	–4.0	–	+2.0	dB
at 4.43 MHz	A1	BU4	–6.0	–	+2.0	dB
Sound carrier rejection	A1 + B3	BU4	40	–	–	dB
Residual 40.4 MHz signal in video channel: level of 1.5 MHz	A1 + B3	BU4	–	–	68	dB $\mu$ V
Residual 77.8 MHz signal in video channel	A2	BU4	–	–	80	dB $\mu$ V
Second IF sound output level at level of 5.5 MHz	A2 + B1	BU5	84	–	–	dB $\mu$ V
Test on 2T pulse at $T_{amb} = 45\text{ }^{\circ}\text{C}$ :						
2T pulse/bar response for L mode	A1	BU4	–3.0	–	+3.0	%
2T pulse response for L mode	A1	BU4	–	–	+3.0	%
2T pulse/bar response for B/G mode	A1	BU4	–4.5	–	+3.0	%
2T pulse response for B/G mode	A1	BU4	–	–	+5.0	%
CVBS S/N (unweighted)	A1 + B1	BU4	40	–	–	dB
Gain limited sensitivity at 1 dB reduction of video output	A3	BU4	–	–	30	dB $\mu$ V
B/G audio characteristics:						
AF output level measured via LP 20 kHz filter, RMS detector, 50 $\mu$ s de-emphasis	A2 + B3	BU6	0.25	0.35	0.50	V
THD (Total Harmonic Distortion) measured via LP 20 kHz filter, RMS detector, 50 $\mu$ s de-emphasis	A2 + B3	BU6	–	0.15	0.5	%
S/N measured via CCIR filter, peak CCIR detector, 50 $\mu$ s de-emphasis	A2 (6 kHz sine wave, black-to-white) + B3	BU6	40	47	–	dB
L/L' audio characteristics:						
AF output level measured via LP 20 kHz filter, RMS detector	A1 + B2	BU6	0.40	0.50	0.60	V
THD (Total Harmonic Distortion) measured via LP 20 kHz filter, RMS detector	A1 + B2	BU6	–	0.7	1.5	%
S/N measured via CCIR filter, peak CCIR detector	A1 (black) + B2	BU6	41	46	–	dB
AM suppression ratio	A1 + B2	BU6	40	–	–	dB
Aerial input level for S/N = 45 dB:						
system B/G	A2 (black) + B3	BU4	–	35	40	dB $\mu$ V
system L	A1 (black) + B2	BU4	–	40	45	dB $\mu$ V

---

 Desktop video tuner  
 multi system CCIR L/L' and B/G
 

---

FI1216MF MK2

**Digital AFC status**

PARAMETER	CONDITIONS	FREQUENCY (kHz)	DIGITAL READ-OUT
ADC word at I <sup>2</sup> C-bus during read operation	input voltage at pin 10: 0.0 to 0.15V <sub>S</sub>	-125	00
	input voltage at pin 10: 0.15 to 0.30V <sub>S</sub>	-62.5	01
	input voltage at pin 10: 0.30 to 0.45V <sub>S</sub>	0	02
	input voltage at pin 10: 0.45 to 0.60V <sub>S</sub>	+62.5	03
	input voltage at pin 10: 0.60 to 1.00V <sub>S</sub>	+125	04

# Desktop video tuner multi system CCIR L/L' and B/G

## FI1216MF MK2

### APPLICATION INFORMATION

A detailed description of the I<sup>2</sup>C-bus specification, with applications, is given in brochure "The I<sup>2</sup>C-bus and how to use it". This brochure may be ordered using the code number 9398 393 40011.

### WRITE mode

BYTE	BITS								
	7 MSB	6	5	4	3	2	1	0 LSB	A <sup>(1)</sup>
Address byte	1	1	0	0	0	MA1	MA0	0	A
Program divider byte 1	0	n14	n13	n12	n11	n10	n9	n8	A
Program divider byte 2	n7	n6	n5	n4	n3	n2	n1	n0	A
Control information byte 1	1	CP	T2	T1	T0	RSA	RSB	OS	A
Control information byte 2	P7	P6	P5	P4	P3	P2	P1	P0	A

### Note

1. A = Acknowledge.

### ADDRESS SELECTION

V<sub>S</sub> = +5 V (PLL supply voltage)

MA1	MA0	ADDRESS	VOLTAGE AT PIN 15 (see note 1)
0	0	C0	0 to 0.1V <sub>S</sub>
0	1	C2	0.2 to 0.3V <sub>S</sub>
1	0	C4	0.4 to 0.6V <sub>S</sub>
1	1	C6	0.9V <sub>S</sub> to V <sub>S</sub>

### Note

1. If the AS pin is left floating, the internal bias will automatically set the address to C2.

### PROGRAMMABLE DIVIDER SETTINGS (BYTES 1 AND 2)

Divider ratio:

$N = 16 \times \{f_{RF(pc)} + f_{IF(pc)}\}$ , where (pc) is picture carrier and  $f_{RF}$  and  $f_{IF}$  are expressed in MHz

$f_{osc} = N/16$  (MHz).

$N = (8192 \times n13) + (4096 \times n12) + (2048 \times n11) + (1024 \times n10) + (512 \times n9) + (256 \times n8) + (128 \times n7) + (64 \times n6) + (32 \times n5) + (16 \times n4) + (8 \times n3) + (4 \times n2) + (2 \times n1) + n0$

### CONTROL BYTE

Charge pump settings:

CP = 1, for fast tuning

CP = 0, for moderate speed tuning with slightly better residual oscillator FM.

Test mode settings:

T2 = T1 = 0; T0 = 1, for normal operation.

PLL disabling:

OS = 0, for normal operation

OS = 1, for switching the charge pump to the high impedance state.

Desktop video tuner  
multi system CCIR L/L' and B/G

FI1216MF MK2

Ratio select bits

RSA	RSB	STEP SIZE
X	0	50 kHz
0	1	31.25 kHz (for slow picture search)
1	1	62.5 kHz (for normal picture search)

PORTS BYTE

BAND/ SYSTEM	BIT (see note 1)							
	P0	P1	P2	P3	P4	P5	P6	P7
<b>Band switching</b>								
Low band			0	see note 2	0	1	0	1
Mid band			0		1	0	1	
High band			0		1	1	0	0
<b>System switching</b>								
L	1	1		see note 2				
L'	0	1						
B/G	1	0						

Notes

1. X = don't care; P0 to P7 are output ports on the PLL device.
2. P3 is a system switch output for customer applications.

TELEGRAM EXAMPLES (WRITE MODE)

Start - Adb - Ack - Db1 - Ack - Db2 - Ack - Cb - Ack - Pb - Ack - Stop.

Start - Adb - Ack - Cb - Ack - Pb - Ack - Db1 - Ack - Db2 - Ack - Stop.

Start - Adb - Ack - Db1 - Ack - Db2 - Ack - Cb - Ack - Stop.

Start - Adb - Ack - Db1 - Ack - Db2 - Ack - Stop.

Where:

- Start = start condition
- Adb = address byte
- Ack = acknowledge
- Db1 = divider byte 1
- Db2 = divider byte 2
- Cb = control byte
- Pb = ports byte
- Stop = stop condition.

## Desktop video tuner multi system CCIR L/L' and B/G

## FI1216MF MK2

**Remark:** for channel selection involving band switching, and to ensure smooth tuning to the desired channel without causing unnecessary charge pump action, it is recommended to consider the difference between wanted channel frequency ( $f_w$ ) and the current channel frequency ( $f_c$ ):

- If  $f_w > f_c$ , use telegram as:  
Start - Adb - Ack - Db1 - Ack - Db2 - Ack - Cb - Ack - Pb - Ack - Stop.
- If  $f_w < f_c$ , use telegram as:  
Start - Adb - Ack - Cb - Ack - Pb - Ack - Db1 - Ack - Db2 - Ack - Stop.

Unnecessary charge pump action will result in very low tuning voltage ( $V_T \approx 0$  V) which may drive the oscillator to extreme conditions.

### READ mode

The in-lock can be read by setting the R/W bit to 1.

BYTE	BITS								
	7 MSB	6	5	4	3	2	1	0 LSB	A <sup>(5)</sup>
Address byte	1	1	0	0	0	MA1	MA0	1	A
Status byte	POR <sup>(1)</sup>	FL <sup>(2)</sup>	I2 <sup>(3)</sup>	I1 <sup>(3)</sup>	I0 <sup>(3)</sup>	A2 <sup>(4)</sup>	A1 <sup>(4)</sup>	A0 <sup>(4)</sup>	A

### Notes

1. POR = Power On Reset. POR is internally set to 1 in case  $V_S$  drops below 3 V. The POR bit is reset when an end of data is detected by the PLL IC.
2. FL = In-lock flag; FL = 1: loop is phase-locked. The loop must be phase-locked during at least 8 periods of the internal 7.8125 kHz reference frequency before the FL flag is internally set to 1.
3. I2, I1 and I0 = digital information for I/O ports P2, P1 and P0 respectively.
4. A2, A1 and A0 = built-in 5-level A/D converter on I/O port P6. AFC information to the controller of the IF section is available on pin 10 (see Table "Digital AFC status").
5. A = Acknowledge.

### TELEGRAM EXAMPLES (READ MODE)

Start - Adb - Ack - STB - Ack - STB - - Stop (no Ack from processor = End-of-data).

Start - Adb - Ack - STB - - Stop (no Ack from processor = End-of-data).

Where:

STB = Status byte.



Desktop video tuner  
multi system CCIR L/L' and B/G

F11216MF MK2

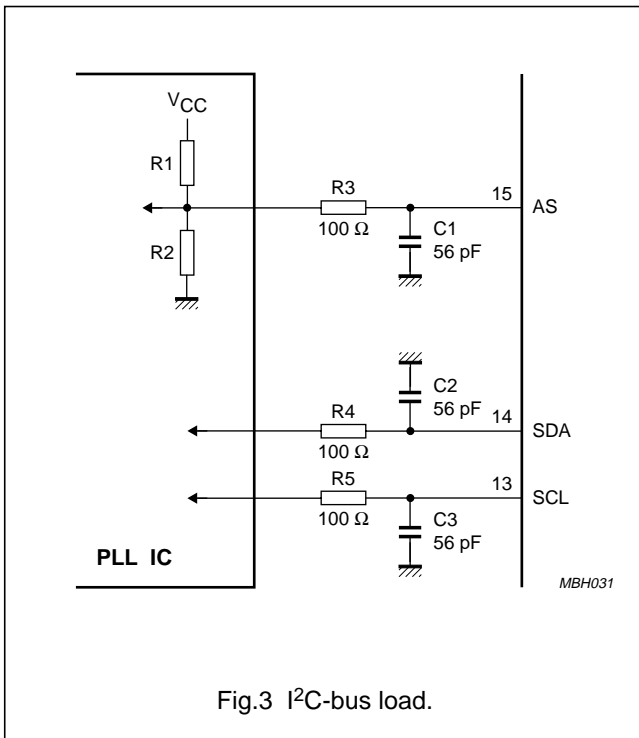


Fig.3 I<sup>2</sup>C-bus load.

**Video buffer**

A video buffer is built into the video module to enable the unit to drive a 75 Ω load directly. In case it is required to use the F11216MF MK2 as a replacement for the F11216 in the same videocard, it is necessary to replace the 75 Ω series resistor in the video card by a 0 Ω series resistor. At the same time the 22 kΩ series resistor in the tuning supply must be removed.

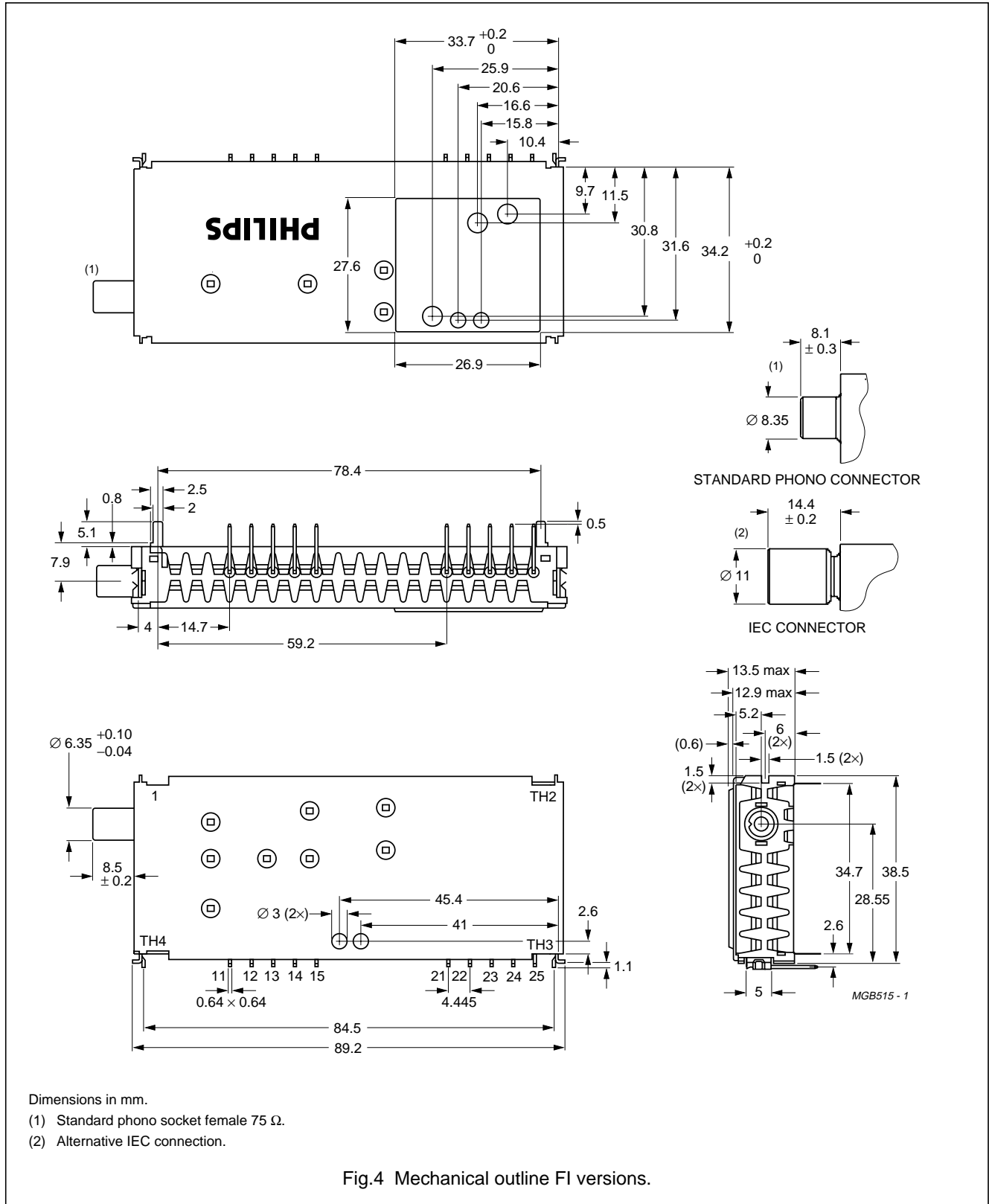
**I<sup>2</sup>C-bus load**

The F11216MF MK2 contains a series resistor (R = 100 Ω) in the SCL and SDA lines. Both lines also have a capacitive load of typical 56 pF (see Fig.3).

Desktop video tuner  
multi system CCIR L/L' and B/G

FI1216MF MK2

MECHANICAL DATA



Desktop video tuner  
multi system CCIR L/L' and B/G

FI1216MF MK2

**Aerial connections**

Standard-phono socket female 75 Ω or IEC (female).

**Solderability**

The solderability of pins and mounting tags when tested initially and after 16 hours steam ageing in accordance with "IEC 68-2-20", test Ta, method 1 (solder bath 235 °C for 2 s), results in a wetted area of 95%. No de-wetting will occur when soldered at 260 °C for 5 s.

**Resistance to soldering heat**

The product will not be damaged when tested in accordance with "IEC 68-2-20", test Tb, method 1A (solder bath 260 °C for 10 ± 1 s).

**Mass**

Approximately 50 g.

**Robustness of pins**

The pins will not be damaged when tested in accordance with "IEC 68-2-21":

- Test Ua1, tensile of 10 N in axial direction
- Test Ua2, thrust of 4 N in axial direction.

**Punching pattern of chassis PCB**

Field rejects are often related to broken tag joints. Therefore, the following punching pattern is recommended (see Fig.5).

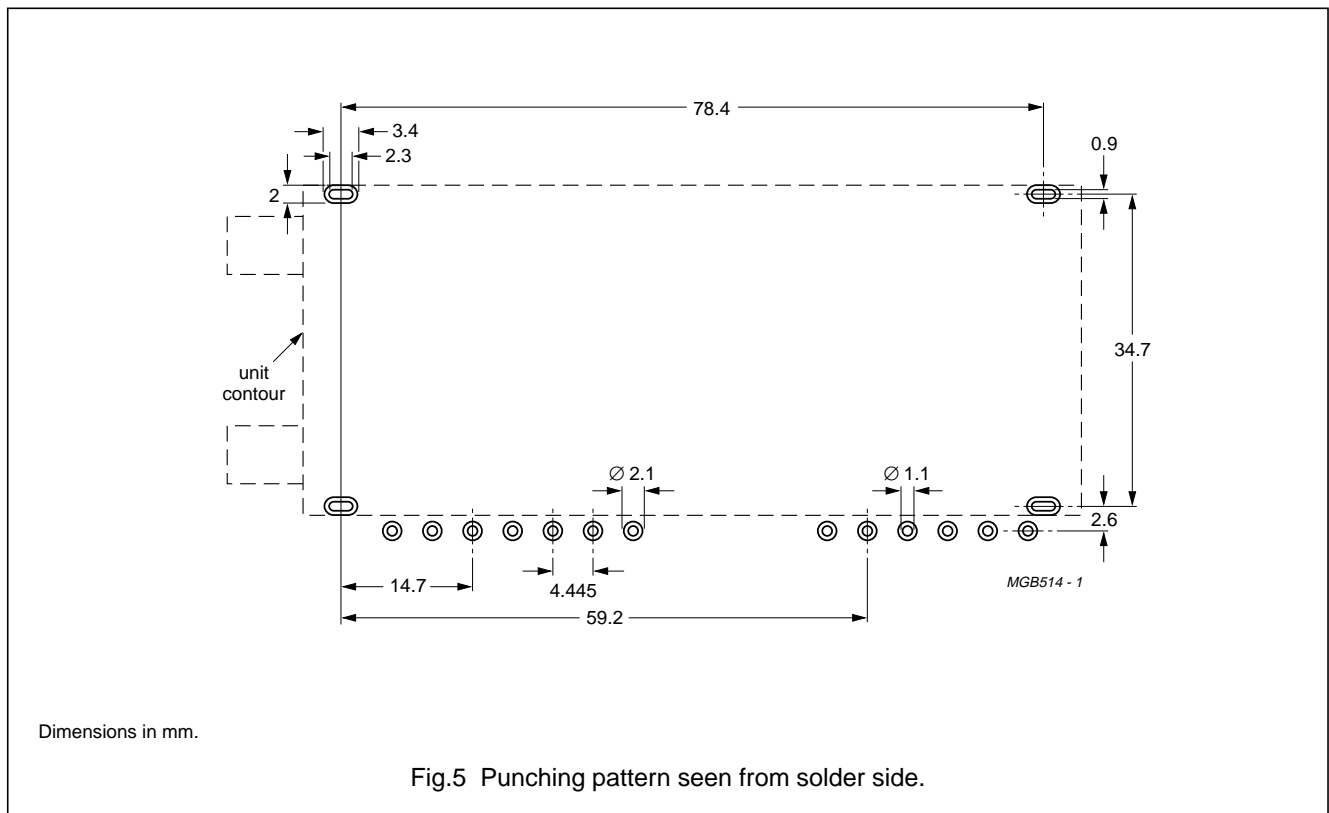


Fig.5 Punching pattern seen from solder side.

**Desktop video tuner  
multi system CCIR L/L' and B/G**

**FI1216MF MK2**

**TV CHANNEL FREQUENCIES (MHz)**

**CCIR cable**

Vision IF = 38.90 MHz; sound IF = 33.40 MHz.

CHANNEL	FREQ. RANGE	PICTURE CARRIER FREQUENCY	SOUND CARRIER FREQUENCY
E2	47-54	48.25	53.75
E3	54-61	55.25	60.75
E4	61-68	62.25	67.75
S01	68-75	69.25	74.75
S02	75-82	76.25	81.75
S03	82-89	83.25	88.75
S1	104-111	105.25	110.75
S2	111-118	112.25	117.75
S3	118-125	119.25	124.75
S4	125-132	126.25	131.75
S5	132-139	133.25	138.75
S6	139-146	140.25	145.75
S7	146-153	147.25	152.75
S8	153-160	154.25	159.75
S9	160-167	161.25	166.75
S10	167-174	168.25	173.75
E5	174-181	175.25	180.75
E6	181-188	182.25	187.75
E7	188-195	189.25	194.75
E8	195-202	196.25	201.75
E9	202-209	203.25	208.75
E10	209-216	210.25	215.75
E11	216-223	217.25	222.75
E12	223-230	224.25	229.75
S11	230-237	231.25	236.75
S12	237-244	238.25	243.75
S13	244-251	245.25	250.75
S14	251-258	252.25	257.75

CHANNEL	FREQ. RANGE	PICTURE CARRIER FREQUENCY	SOUND CARRIER FREQUENCY
S15	258-265	259.25	264.75
S16	265-272	266.25	271.75
S17	272-279	273.25	278.75
S18	279-286	280.25	285.75
S19	286-293	287.25	292.75
S20	293-300	294.25	299.75
S21	302-310	303.25	308.75
S22	310-318	311.25	316.75
S23	318-326	319.25	324.75
S24	326-334	327.25	332.75
S25	334-342	335.25	340.75
S26	342-350	343.25	348.75
S27	350-358	351.25	356.75
S28	358-366	359.25	364.75
S29	366-374	367.25	372.75
S30	374-382	375.25	380.75
S31	382-390	383.25	388.75
S32	390-398	391.25	396.75
S33	398-406	399.25	404.75
S34	406-414	407.25	412.75
S35	414-422	415.25	420.75
S36	422-430	423.25	428.75
S37	430-438	431.25	436.75
S38	438-446	439.25	444.75
S39	446-454	447.25	452.75
S40	454-462	455.25	460.75
S41	462-470	463.25	468.75

Desktop video tuner  
multi system CCIR L/L' and B/G

F11216MF MK2

**CCIR B/G**

Vision IF = 38.90 MHz; sound IF = 33.40 MHz.

CHANNEL	FREQ. RANGE	PICTURE CARRIER FREQUENCY	SOUND CARRIER FREQUENCY
2	47-54	48.25	53.75
3	54-61	55.25	60.75
4	61-68	62.25	67.75
5	174-181	175.25	180.75
6	181-188	182.25	187.75
7	188-195	189.25	194.75
8	195-202	196.25	201.75
9	202-209	203.25	208.75
10	209-216	210.25	215.75
11	216-223	217.25	222.75
12	223-230	224.25	229.75
21	470-478	471.25	476.75
22	478-486	479.25	484.75
23	486-494	487.25	492.75
24	494-502	495.25	500.75
25	502-510	503.25	508.75
26	510-518	511.25	516.75
27	518-526	519.25	524.75
28	526-534	527.25	532.75
29	534-542	535.25	540.75
30	542-550	543.25	548.75
31	550-558	551.25	556.75
32	558-566	559.25	564.75
33	566-574	567.25	572.75
34	574-582	575.25	580.75
35	582-590	583.25	588.75
36	590-598	591.25	596.75
37	598-606	599.25	604.75
38	606-614	607.25	612.75
39	614-622	615.25	620.75

CHANNEL	FREQ. RANGE	PICTURE CARRIER FREQUENCY	SOUND CARRIER FREQUENCY
40	622-630	623.25	628.75
41	630-638	631.25	636.75
42	638-646	639.25	644.75
43	646-654	647.25	652.75
44	654-662	655.25	660.75
45	662-670	663.25	668.75
46	670-678	671.25	676.75
47	678-686	679.25	684.75
48	686-694	687.25	692.75
49	694-702	695.25	700.75
50	702-710	703.25	708.75
51	710-718	711.25	716.75
52	718-726	719.25	724.75
53	726-734	727.25	732.75
54	734-742	735.25	740.75
55	742-750	743.25	748.75
56	750-758	751.25	756.75
57	758-766	759.25	764.75
58	766-774	767.25	772.75
59	774-782	775.25	780.75
60	782-790	783.25	788.75
61	790-798	791.25	796.75
62	798-806	799.25	804.75
63	806-814	807.25	812.75
64	814-822	815.25	820.75
65	822-830	823.25	828.75
66	830-838	831.25	836.75
67	838-846	839.25	844.75
68	846-854	847.25	852.75
69	854-862	855.25	860.75

---

**Desktop video tuner  
multi system CCIR L/L' and B/G**

---

**FI1216MF MK2****France**

Vision IF = 38.90 MHz; sound IF = 32.40 MHz.

<b>CHANNEL</b>	<b>PICTURE CARRIER FREQUENCY</b>	<b>SOUND CARRIER FREQUENCY</b>
FA	47.75	41.25
FB	55.75	49.25
FC1	60.50	54.00
FC	63.75	57.25
F1	176.00	182.50
F2	184.00	190.50
F3	192.00	198.50
F4	200.00	206.50
F5	208.00	214.50
F6	216.00	222.50

## Desktop video tuner multi system CCIR L/L' and B/G

FI1216MF MK2

### DEFINITIONS

<b>Data sheet status</b>	
Objective specification	This data sheet contains target or goal specifications for product development.
Preliminary specification	This data sheet contains preliminary data; supplementary data may be published later.
Product specification	This data sheet contains final product specifications.
<b>Application information</b>	
Where application information is given, it is advisory and does not form part of the specification.	

### LIFE SUPPORT APPLICATIONS

These products are not designed for use in life support appliances, devices, or systems where malfunction of these products can reasonably be expected to result in personal injury. Philips customers using or selling these products for use in such applications do so at their own risk and agree to fully indemnify Philips for any damages resulting from such improper use or sale.

### PURCHASE OF PHILIPS I<sup>2</sup>C COMPONENTS



Purchase of Philips I<sup>2</sup>C components conveys a license under the Philips' I<sup>2</sup>C patent to use the components in the I<sup>2</sup>C system provided the system conforms to the I<sup>2</sup>C specification defined by Philips. This specification can be ordered using the code 9398 393 40011.

# Philips Components – a worldwide company

**Argentina:** IEROD, Av. Juramento, 1991-14.B, (1428) BUENOS AIRES, Tel. (541) 786 7635, Fax. (541) 786 9367.

**Australia:** PHILIPS COMPONENTS PTY Ltd, 34 Waterloo Road, NORTH RYDE NSW 2113, Tel. (02) 805 4455, Fax. (02) 805 4466.

**Austria:** PHILIPS COMPONENTS, Vertriebsgesellschaft m.b.H., Triester Strasse 64, A-1101 WIEN, P.O. Box 213, Tel. (01) 601 01 12 12, Fax. (01) 60 101 12 10.

**Belgium:** PHILIPS NEDERLAND B.V., Philips Components & Semiconductors, Postbus 90050, 5600 PB EINDHOVEN, Netherlands, Tel. (31) 40 2783 749, Fax. (31) 40 2788 399.

**Belarus:** PHILIPS OFFICE BELARUS, Hotel Minsk, Volodarski Str. 6, 220050 MINSK, Tel. (5172) 200 915, Fax. (5172) 200 773.

**Brazil:** PHILIPS COMPONENTS, Rua do Rocio 220 - 5<sup>th</sup> floor, 04552-903 - SÃO PAULO - SP, Tel. (011) 821 2333, Fax. (011) 829 1849.

**Canada:** PHILIPS ELECTRONICS Ltd., Philips Components, 601 Milner Ave., SCARBOROUGH, Ontario, M1B 1M8, Tel. (0416) 292 5161, Fax. (0416) 754 6248.

**Chile:** PHILIPS CHILENA S.A., Av. Santa Maria 0760, SANTIAGO, Tel. (02) 77 38 16, Fax. (02) 735 35 94.

**China:** PHILIPS COMPANY, Philips Components MSO PRC, 6/F Building 2 No. 889, Yi Shan Road, SHANGHAI 200233, Tel. (21) 485 0600, Fax. (21) 485 1015.

**Colombia:** IPRELENSO LTDA, Diagonal 59, No. 20-27, P.O. Box 77621, SANTAFE DE BOGOTA, Tel. (57) (1) 345 8713, Fax. (57) (1) 345 8712.

**Denmark:** PHILIPS COMPONENTS A/S, Prags Boulevard 80, P.O. Box 1919, 2300 COPENHAGEN S, Tel. (32) 883 333, Fax. (31) 571 949.

**Finland:** PHILIPS COMPONENTS, Sinikalliontie 3, FIN-02630 ESPOO, Tel. (9) 0-615 800, Fax. (9) 0-615 80920.

**France:** PHILIPS COMPOSANTS, 4 Rue du Port-aux-Vins, BP317, 92156 SURESNES, Cedex, Tel. (01) 4099 6161, Fax. (01) 4099 6427.

**Germany:** PHILIPS COMPONENTS UB der Philips G.m.b.H., P.O. Box 10 63 23, 20043 HAMBURG, Tel. (040) 2489 1330, Fax. (040) 2489 1426.

**Greece:** PHILIPS HELLENIQUE S.A., Components Division, No. 15, 25th March Street, GR 17778 TAVROS, Tel. (01) 4894 339/(01) 4894 911, Fax. (01) 4815 180.

**Hong Kong:** PHILIPS HONG KONG, Components Division, Unit 003-005, G/F, Hong Kong Ind. Technology Centre, 72 Tat Chee Avenue, Kowloon Tong, KOWLOON, Tel. (852) 2784 3000, Fax. (852) 2784 3003.

**India:** Philips INDIA Ltd., Components Dept., Shivsagar Estate, A Block, Dr. Annie Besant Rd. Worli, BOMBAY 400 018, Tel. (022) 4938 541, Fax. (022) 4938 722.

**Indonesia:** P.T. PHILIPS DEVELOPMENT CORPORATION, Philips House, Jalan H.R. Rasuna Said Kav. 3-4, P.O. Box 4252, JAKARTA 12950, Tel. (021) 520 1122, Fax. (021) 520 5189.

**Ireland:** PHILIPS ELECTRONICS (IRELAND) Ltd., Components Division, Newstead, Clonskeagh, DUBLIN 14, Tel. (01) 76 40 203, Fax. (01) 76 40 210.

**Israel:** Rapac Electronics Ltd., 7 Kehilat Saloniki St. P.O. Box 18053, TEL AVIV 61180, Tel. (03) 6450 444, Fax. (03) 6491 007.

**Italy:** PHILIPS COMPONENTS S.r.l., Piazza IV Novembre 3, 20124 MILANO, Tel. (02) 6752 2531, Fax. (02) 6752 2557.

**Japan:** PHILIPS JAPAN Ltd., Components Division, Philips Bldg 13-37, Kohnan 2-chome, Minato-ku, TOKYO 108, Tel. (03) 3740 5028, Fax. (03) 3740 0580.

**Korea (Republic of):** PHILIPS ELECTRONICS (KOREA) Ltd., Components Division, Philips House, 260-199 Itaewon-dong, Yongsan-ku, SEOUL, Tel. (02) 709 1472, Fax. (02) 709 1479.

**Malaysia:** PHILIPS MALAYSIA SDN BERHAD, Components Division, No. 76 Jalan Universiti, 46200 Petaling Jaya, KUALA LUMPUR, Tel. (03) 757 5511, Fax. (03) 757 4880. PHILIPS MALAYSIA SDN BERHAD, Components Division, 345 Jalan Gelugor, PULAU PINANG, Tel. (04) 870 055, Fax. (04) 879 215.

**Mexico:** PHILIPS COMPONENTS, 5900 Gateway East, Suite 200, EL PASO, TX 79905, U.S.A., Tel. (915) 772 4020, Fax. (915) 772 4332.

**Netherlands:** PHILIPS NEDERLAND B.V., Philips Components & Semiconductors, Bldg. VB Postbus 90050, 5600 PB EINDHOVEN, Tel. (040) 2783 749, Fax. (040) 2788 399.

**New Zealand:** PHILIPS NEW ZEALAND Ltd., Components Division, 2 Wagener Place, C.P.O. Box 1041, AUCKLAND, Tel. (09) 849 4160, Fax. (09) 849 7811.

**Norway:** NORSK A/S PHILIPS, Philips Components, Box 1, Manglerud 0612, OSLO, Tel. (22) 74 8000, Fax. (22) 74 8341.

**Pakistan:** Philips Electrical Industries of Pakistan Ltd., Exchange Bldg. ST-2/A, Block 9, KDA Scheme 5, Clifton, KARACHI 75600, Tel. (021) 587 4641-49, Fax. (021) 577 035/587 4546.

**Philippines:** PHILIPS SEMICONDUCTORS PHILIPPINES Inc., 106 Valero St. Salcedo Village, P.O. Box 2108 MCC, MAKATI, Metro MANILA, Tel. (02) 810 0161, Fax. (02) 817 3474.

**Poland:** PHILIPS POLAND Sp. z.o.o. Components Division, ul. Lutkiska 10, 04-123 WARSZAWA, Tel. (22) 612 2594, Fax. (22) 612 2327.

**Portugal:** PHILIPS PORTUGUESA, S.A., Rua dr. António Loureiro Borges 5, Arquiparque - Miraflores, Apartado 300, 2795 LINDA-A-VELHA, Tel. (01) 416 3160/416 3333, Fax. (01) 416 3174/416 3366.

**Russia:** PHILIPS RUSSIA, ul. Usatcheva 35A, 119048 MOSCOW, Tel. (095) 926 5361, Fax. (095) 564 8323.

**Singapore:** PHILIPS SINGAPORE, Pte Ltd., Components Division, Lorong 1, Toa Payoh, SINGAPORE 1231, Tel. (65) 350 2000, Fax. (65) 355 1758.

**South Africa:** S.A. PHILIPS Pty Ltd., Components Division, 195-215 Main Road Martindale, 2092 JOHANNESBURG, P.O. Box 7430 Johannesburg 2000, Tel. (011) 470 5911, Fax. (011) 470 5494.

**Spain:** PHILIPS COMPONENTS, Balmes 22, 08007 BARCELONA, Tel. (93) 301 63 12, Fax. (93) 301 42 03.

**Sweden:** PHILIPS COMPONENTS AB, Kottbygatan 7, Akalla. Postal address: S-164 85 STOCKHOLM, Tel. (+46) 8 632 2000, Fax. (+46) 8 632 2745.

**Switzerland:** PHILIPS COMPONENTS AG, Allmendstrasse 140, CH-8027 ZÜRICH, Tel. (01) 488 22 11, Fax. (01) 481 77 30.

**Taiwan:** PHILIPS TAIWAN Ltd., 23-30F, 66, Chung Hsiao West Road, Sec. 1, Taipei, Taiwan ROC, P.O. Box 22978, TAIPEI 100, Tel. (02) 388 7666, Fax. (02) 382 4382.

**Thailand:** PHILIPS ELECTRONICS (THAILAND) Ltd., 209/2 Sanpavuth-Bangna Road Prakanong, Bangkok 10260, THAILAND, Tel. (66) 2 745 4090, Fax. (66) 2 398 0793.

**Turkey:** Türk Philips Ticaret A.S., Components Department, Talatpasa Cad. No. 5, 80640 GÜLTEPE/ISTANBUL, Tel. (0212) 279 2770, Fax. (0212) 282 6707.

**Ukraine:** PHILIPS UKRAINE Ltd., 2A Akademika Koroleva str., 252148 KIEV, Tel. (044) 476 0297, Fax. (044) 476 6991.

**United Kingdom:** PHILIPS COMPONENTS Ltd., The Mullard Building, Dorking Business Park, DORKING, Surrey, RH4 1HJ, Tel. (01306) 512 000, Fax: (01306) 512 345.

**United States:** PHILIPS COMPONENTS, Division Headquarters, 1440 Indiantown Road, JUPITER, FL 33458, Tel. (561) 745 3300, Fax. (561) 745 3600. For literature: (800) 447 3762.

PHILIPS DISPLAY COMPONENTS COMPANY, 1600 Huron Parkway, ANN ARBOR, Michigan 48105-2590, Tel. (313) 996 9400, Fax. (313) 761 2776.

**Uruguay:** PHILIPS COMPONENTS, Coronel Mora 433, MONTEVIDEO, Tel. (02) 704 044, Fax. (02) 920 601.

**For all other countries apply to:** Philips Components, Marketing Communications, P.O. Box 218, 5600 MD EINDHOVEN, The Netherlands, Fax. +31-40-2724 547.

COD06 © Philips Electronics N.V. 1996

All rights are reserved. Reproduction in whole or in part is prohibited without the prior written consent of the copyright owner.

The information presented in this document does not form part of any quotation or contract, is believed to be accurate and reliable and may be changed without notice. No liability will be accepted by the publisher for any consequence of its use. Publication thereof does not convey nor imply any license under patent- or other industrial or intellectual property rights.

Printed in The Netherlands

*Let's make things better.*

**Philips  
Components**



**PHILIPS**