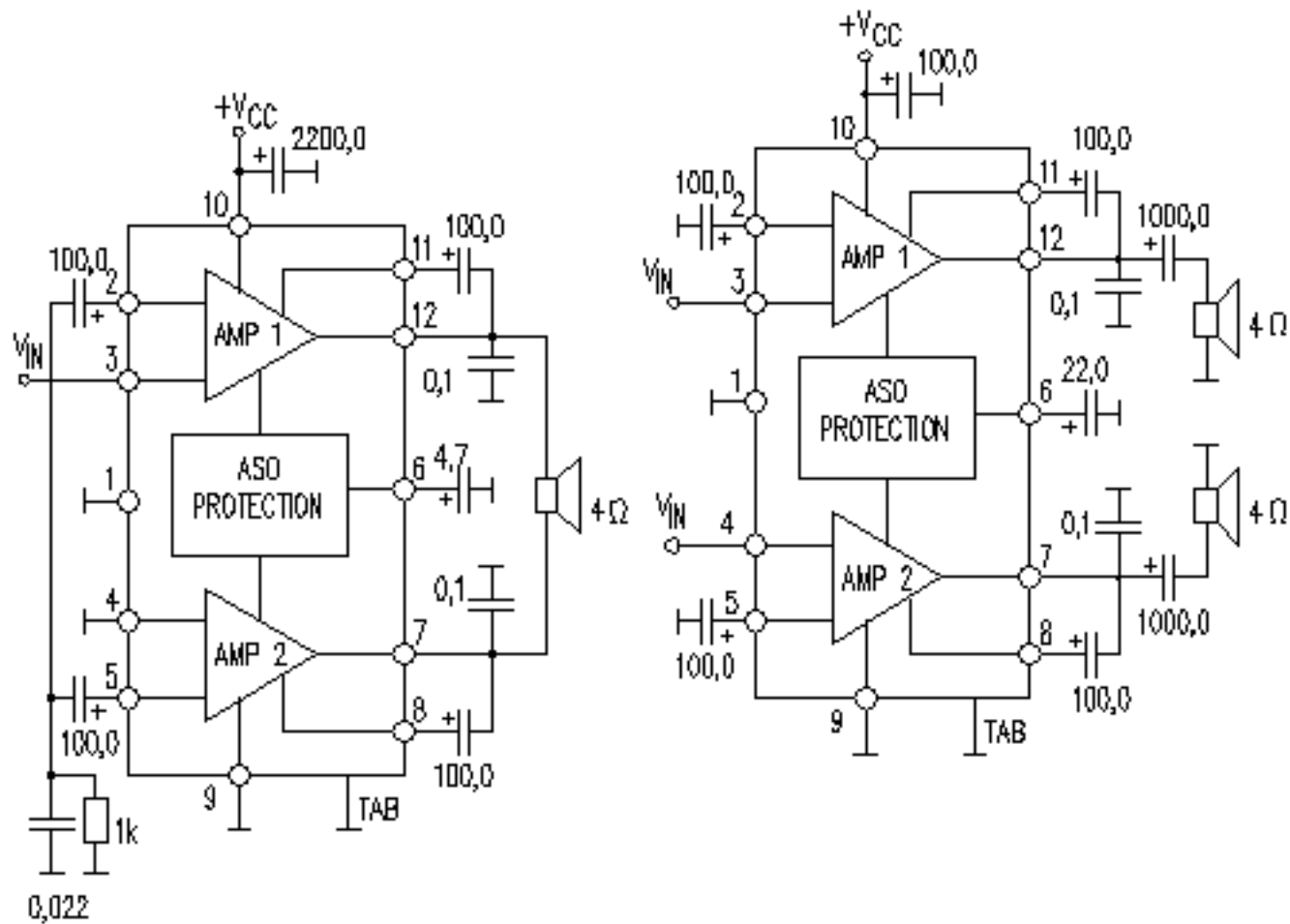


HA13001

POWER AMPLIFIER

2x5,5W



$V_{CC\ MAX} = 18V$
 $V_{CC\ TYP} = 13,2V$
 $V_{CC\ RNG} = -$

$P_o = 2 \times 5,5W$
 $R_L = 4\ \Omega$
 $TDH = 10\%$

$I_{CC0\ TYP} = 80mA$
 $I_{CC0\ MAX} = 180mA$
 $I_{MAX} = 4,5A$

$R_{IN} = 200k$
 $Gain = 50dB$
 $Noise = 2\ \mu V$

$R_{\theta J-C} = 3\ ^\circ C/W$
 Case SIP12

Remark: BTL 17,5W