

# HD6340, HD63A40, HD63B40

## CMOS PTM (Programmable Timer Module)

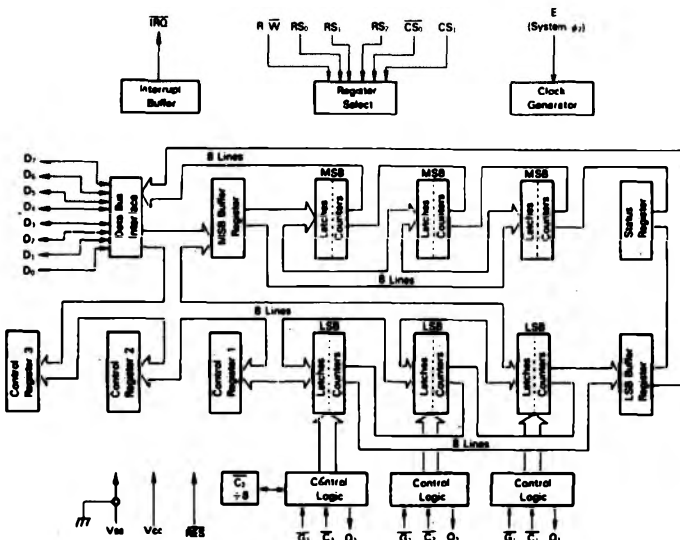
The HD6340 is a programmable subsystem component of the HMCS6800 family designed to provide variable system time intervals.

The HD6340 has three 16-bit binary counters, three corresponding control registers and a status register. These counters are under software control and may be used to cause system interrupts and/or generate output signals. The HD6340 may be utilized for such tasks as frequency measurements, event counting, interval measuring and similar tasks. The device may be used for square wave generation, gated delay signals, single pulses of controlled duration, and pulse width modulation as well as system interrupts.

### ■ FEATURES

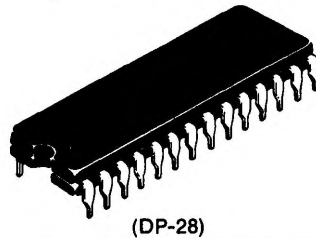
- High Performance, Low Power CMOS Process Technology
- Operates from a Single 5 Volt Power Supply
- Single System Clock Required (E)
- Selectable Prescaler on Timer 3 Capable of 4 MHz for the HD6840, 6 MHz for the HD68A40 and 8 MHz for the HD68B40
- Programmable Interrupts (IRQ) Output to MPU
- Readable Down Counter Indicates Counts to Go until Time-Out
- Selectable Gating for Frequency or Pulse-Width Comparison
- RES Input
- Three Asynchronous External Clock and Gate/Trigger Inputs Internally Synchronized
- Three Maskable Outputs
- Compatible with MC6840, MC68A40 and MC68B40

### ■ BLOCK DIAGRAM



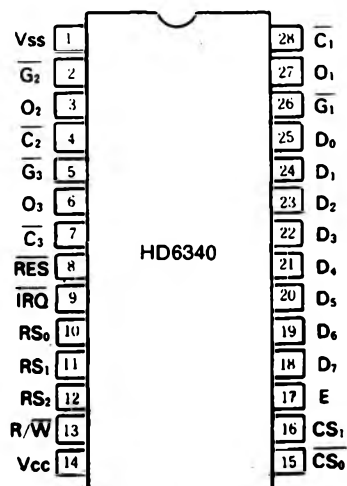
### ADVANCED INFORMATION

HD6340P, HD3A40P, HD63B40P



(DP-28)

### ■ PIN ARRANGEMENT



(Top View)