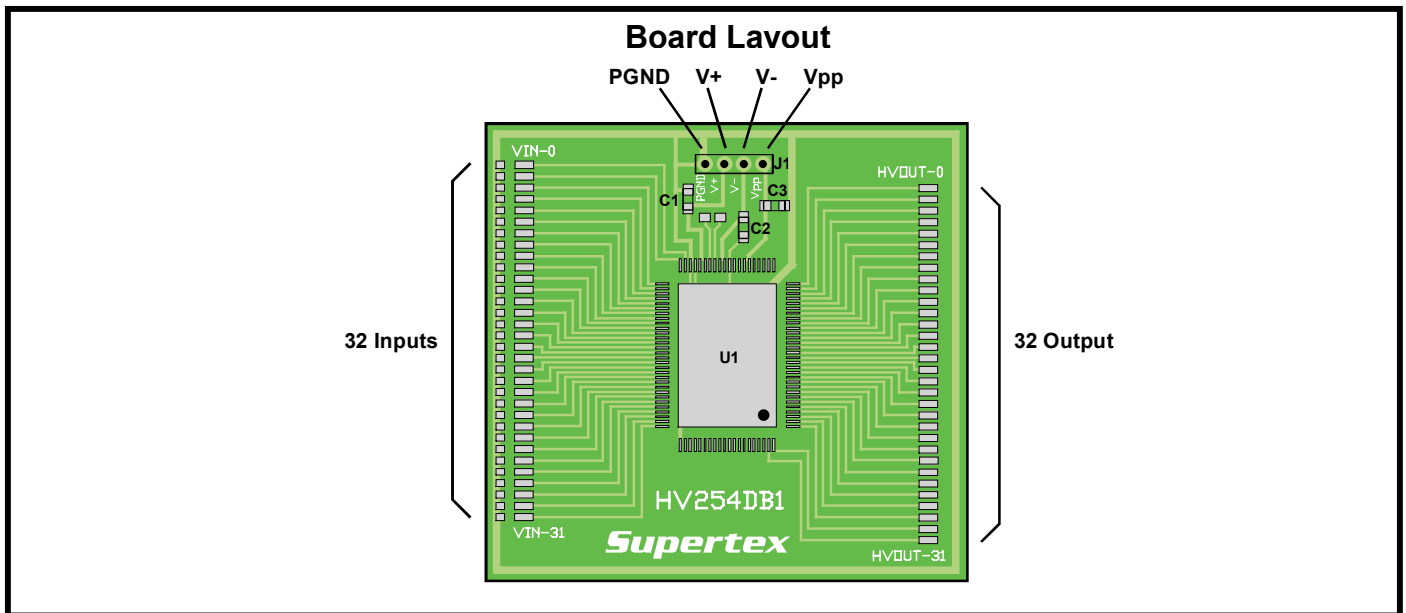


### Introduction

The Supertex HV254DB1 is a 32-channel 250V amplifier array with a nominal gain of 50V/V. The HV254DB1 provides a means to easily evaluate the Supertex HV254FG device. A high voltage supply,  $V_{pp}$ , and two low voltage supplies,  $V+$  and  $V-$ , are required. These connections can be made via the J1 header provided on the board. There are 32 pads on the left side of the board for the input signals and 32 pads on the right for the outputs. Please follow the power up/down sequence to avoid damaging the device.

### Specifications

$V_{pp}$ , High voltage supply	275V
$V+$ , Low voltage positive supply	4.75V to 5.25V
$V-$ , Low voltage negative supply	-4.75V to -5.25V
$V_{in}$ , Input signal range	0V to $V+$
HVout, Output voltage swing	7V to 250V
$A_v$ , Closed loop gain	50V/V $\pm 5\%$
SR, Output slew rate into 100pF load	3.0V/ $\mu$ s



### Power Up/Down Sequence

The device can be damaged due to improper power up/down sequence. To prevent such damage, please follow the acceptable power up/down sequences. Two external diodes, D1 and D2, are added in the demo board to prevent damage during power Up/Down. The first diode is a high voltage diode across  $V_{pp}$  and  $V+$ . Any low current high voltage diode such as a 1N4004 will be adequate. The second diode is a Schottky diode across  $V-$  and PGND. Any low current Schottky diode such as a 1N5817 will be adequate.

#### Acceptable Power Up Sequences

- 1)  $V_{pp}$     2)  $V-$     3)  $V+$     4) Inputs  
 1)  $V+$     2)  $V-$     3)  $V_{pp}$     4) Inputs

#### Acceptable Power Down Sequences

- 1) Inputs    2)  $V_{pp}$     3)  $V+$     4)  $V-$   
 1) Inputs    2)  $V+$     3)  $V-$     4)  $V_{pp}$

### Inputs and Outputs

The output of the HV254FG will swing from 7V to 250V. It cannot swing to ground. With the internal gain set at 50V/V, a minimum input signal of 140mV will still maintain linearity. Input voltages below 140mV can be applied without damage to the device. The amplifier, however, will be saturated.

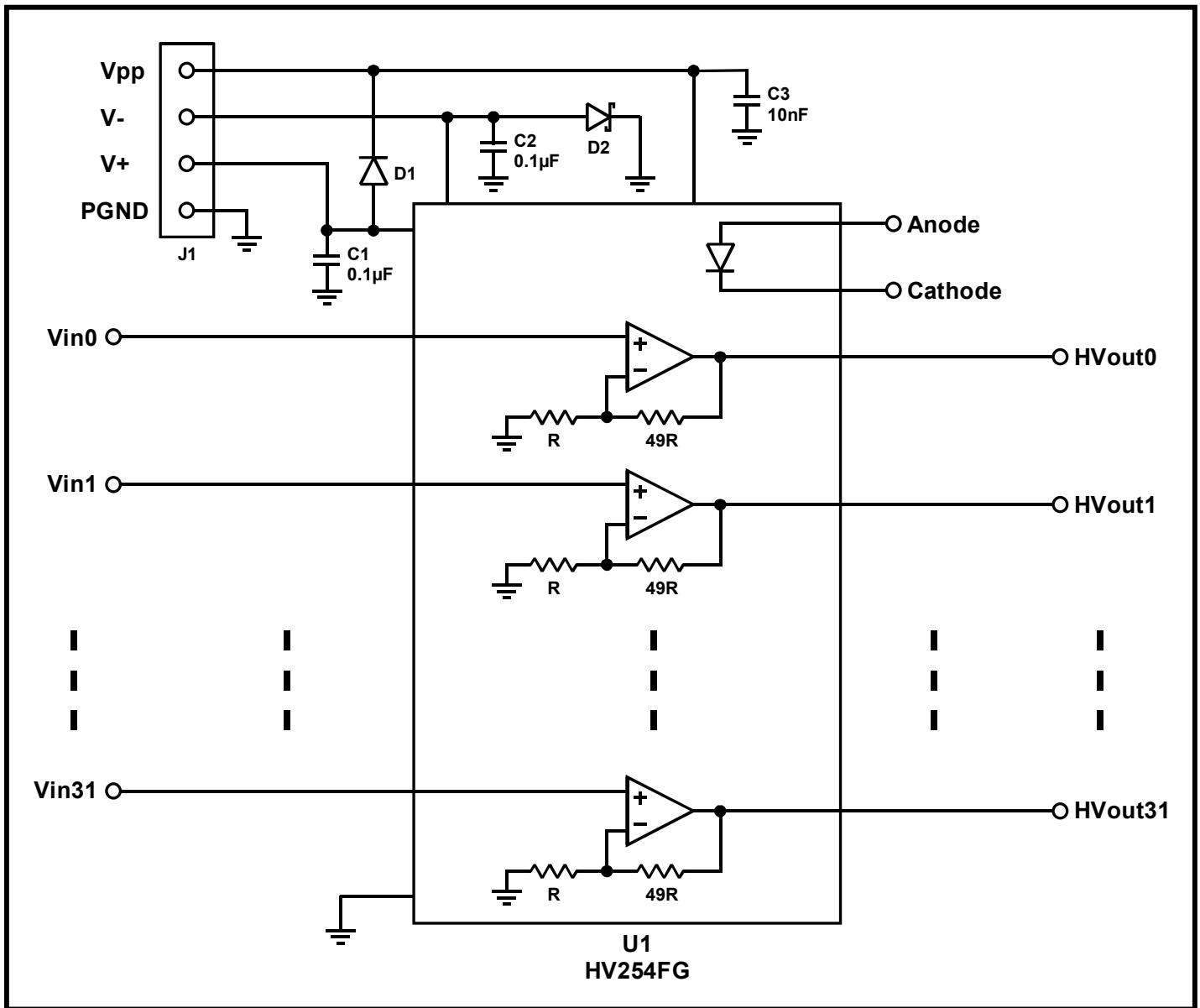
The maximum input signal can be as high as the positive supply voltage,  $V+$ . For a  $V+$  of 5.0V and an input voltage of 5V, the output will be 250V. For additional information, please refer to the HV254 data sheet.

### Temperature Diode

The HV254FG has an integrated silicon diode to help monitor the die temperature if desired. Pin 43 is the anode and pin 44 is the cathode. Pads are available on the board for these connections.

# High Voltage Amplifier Array HV254DB1

## HV254DB1 Circuit Diagram



### Bill of Material

	Description	Value	Package	Manuf.	Part Number
<b>D1</b>	Rectifier diode	400V, 1.0A	DO-41	Any	1N4004
<b>D2</b>	Schottky diode	20V, 1.0A	DO-41	Any	1N5817
<b>C1</b>	X7R chip capacitor	25V, 0.1 $\mu$ F $\pm$ 10%	0805	Tecate	CMC-025104KX0805T
<b>C2</b>	X7R chip capacitor	25V, 0.1 $\mu$ F $\pm$ 10%	0805	Tecate	CMC-025104KX0805T
<b>C3</b>	X7R chip capacitor	500V, 0.01 $\mu$ F $\pm$ 10%	0805	Tecate	CMC-500103KX0805T
<b>U1</b>	Amplifier array	250V	100 MQFP	Supertex	HV254FG
<b>J1</b>	Right Angle 4-pin header	0.100", tin plating	---	Molex	22-05-3041