

KF351

SINGLE OPERATIONAL AMPLIFIER (JFET)

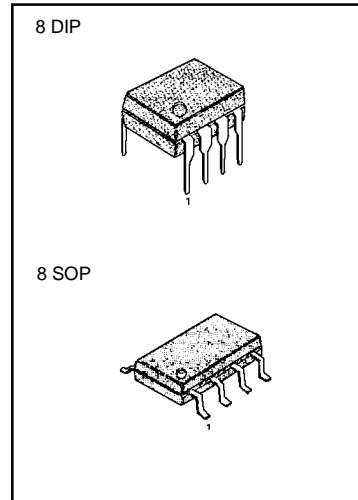
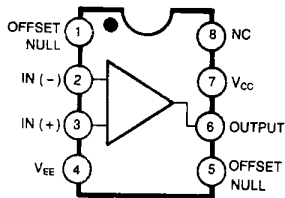
SINGLE OPERATIONAL AMPLIFIER

The KF351 is JFET input operational amplifier with an internally compensated input offset voltage. The JFET input device provides wide bandwidth, low input bias currents and offset currents.

FEATURES

- Internally trimmed offset voltage: 10mV
- Low input bias current : 50pA
- Wide gain bandwidth : 4MHz
- High slew rate : 13V/ μ s
- High input impedance : $10^{12}\Omega$

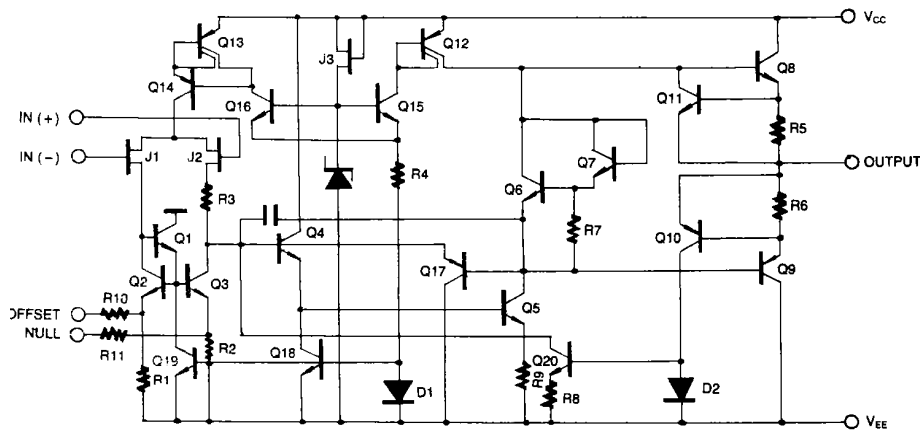
BLOCK DIAGRAM



ORDERING INFORMATION

Device	Package	Operating Temperature
KF351	8 DIP	0 ~ +70°C
KF351D	8 SOP	

SCHEMATIC DIAGRAM



ABSOLUTE MAXIMUM RATINGS

Characteristics	Symbol	Value	Unit
Supply Voltage	V_{CC}	± 18	V
Differential Input Voltage	$V_{I(DIFF)}$	± 30	V
Input Voltage Range	V_I	± 15	V
Output Short Circuit Duration		Continuous	
Power Dissipation	P_D	500	mW
Operating Temperature	T_{OPR}	0 ~ +70	$^{\circ}C$
Storage Temperature Range	T_{STG}	-65 ~ +150	$^{\circ}C$

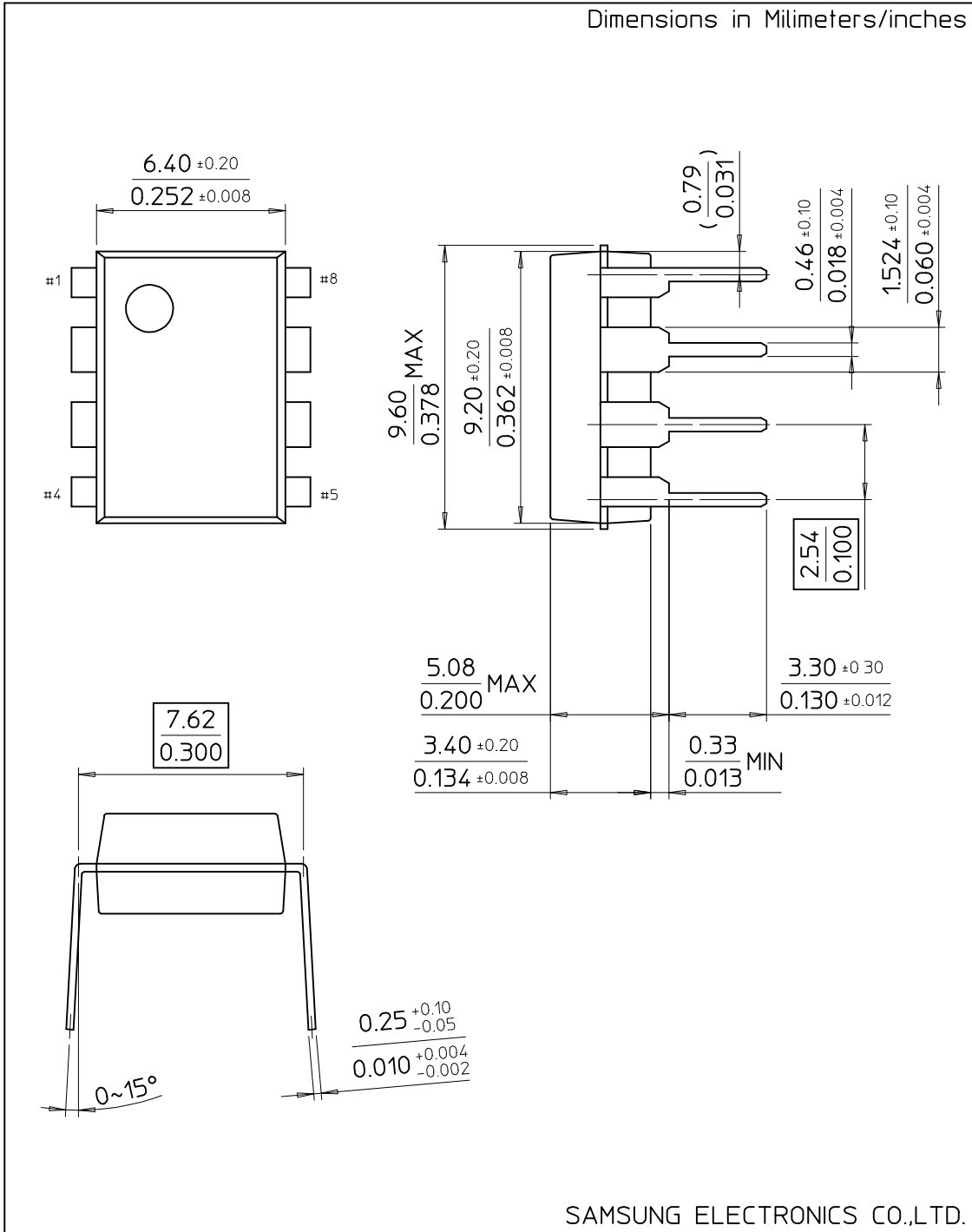
ELECTRICAL CHARACTERISTICS

(V_{CC} = +15V, V_{EE} = -15V, T_A = 25 $^{\circ}C$, unless otherwise specified)

Characteristic	Symbol	Test Conditions	Min	Typ	Max	Unit
Input Offset Voltage	V_{IO}	$R_S = 10K\Omega$ $0^{\circ}C \leq T_A \leq 70^{\circ}C$		5.0	10	mV
					13	
Input Offset Voltage Drift	$\Delta V_{IO}/\Delta T$	$R_S = 10K\Omega$ $0^{\circ}C \leq T_A \leq 70^{\circ}C$		10		$\mu V/^{\circ}C$
Input Offset Current	I_{IO}	$0^{\circ}C \leq T_A \leq 70^{\circ}C$		25	100	pA
					4	nA
Input Bias Current	I_{BAIS}	$0^{\circ}C \leq T_A \leq +70^{\circ}C$		50	200	pA
Input Resistance	R_I			10^{12}		Ω
Large Signal Voltage Gain	G_V	$V_{O(P-P)} = \pm 10V$ $R_L = 2K\Omega$ $0^{\circ}C \leq T_A \leq +70^{\circ}C$		25	100	V/mV
				15		
Output Voltage Swing	$V_{O(P-P)}$	$R_L = 10K\Omega$	± 12	± 13.5		V
Input Voltage Range	$V_{I(R)}$		± 11	+15 -12		V
Common Mode Rejection Ratio	CMRR	$R_S \leq 10K\Omega$	70	100		dB
Power Supply Rejection Ratio	PSRR	$R_S \leq 10K\Omega$	70	100		dB
Power Supply Current	I_{CC}			2.3	3.4	mA
Slew Rate	SR	$G_V = 1$		13		V/ μs
Gain-Bandwidth Product	GBW			4		MHz

8-DIP-300

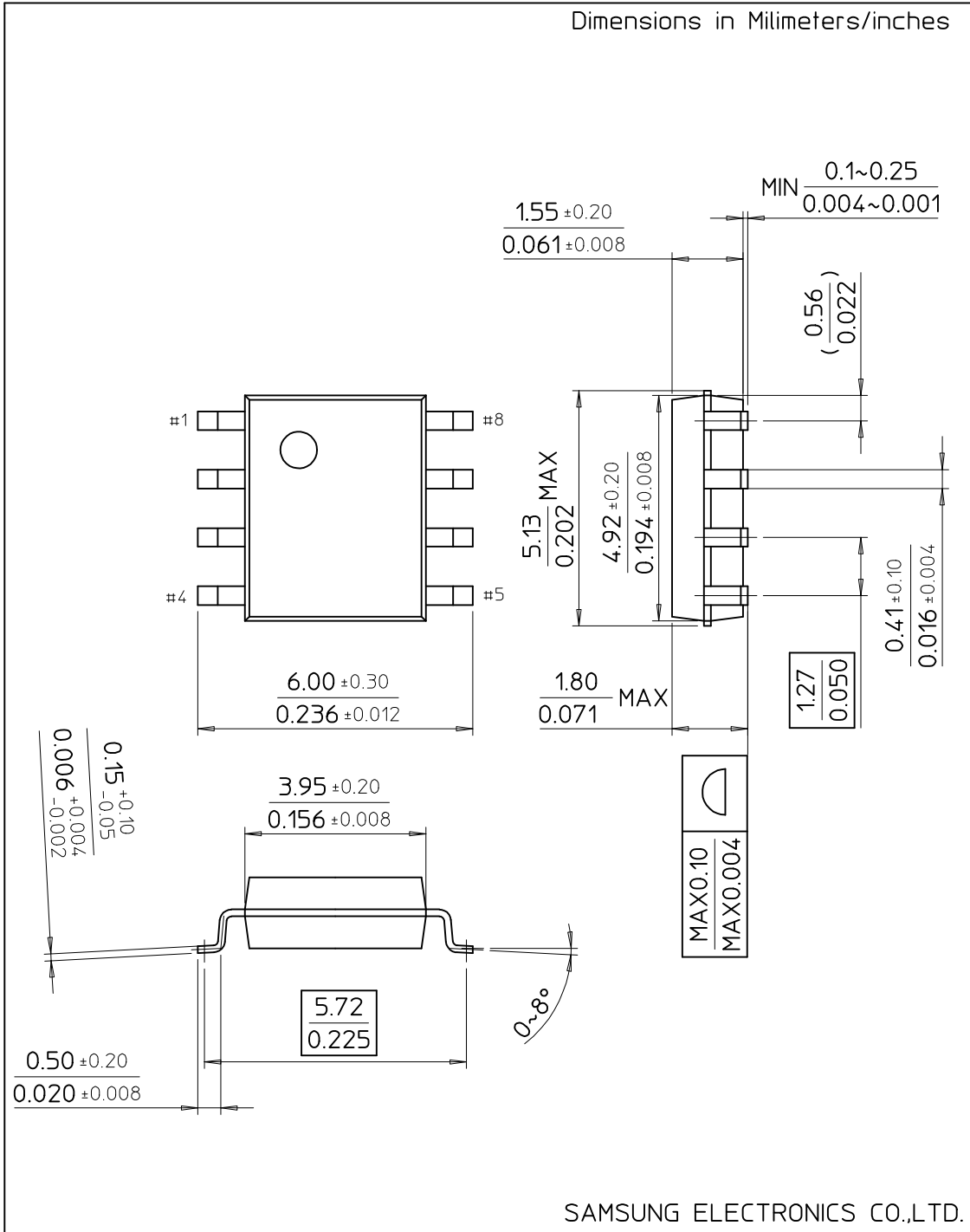
Dimensions in Millimeters/inches



SAMSUNG ELECTRONICS CO.,LTD.

8-SOP-225

Dimensions in Millimeters/inches



SAMSUNG ELECTRONICS CO.,LTD.