

## LM3595 Parallel White-LED Driver

Check for Samples: [LM3595](#)

### FEATURES

- Regulated  $I_{OUT}$  with  $\pm 0.5\%$  Matching Between Constant Current Outputs
- Drives One, Two, Three or Four White LED's with No Bias Resistors
- 3.0V to 5.5V Input Voltage
- Up to 100mA Output Current
- Active-High Enable Pin
- Analog Brightness Control
- Very Small Solution Size
- WSON-10 Package: 3.0mm x 3.0mm x 0.8mm
- Very Low Shutdown Current (0.03 $\mu$ A typ.)

### APPLICATIONS

- Portable Devices Using White or Blue LEDs with Display and Backlight or Frontlight
- Keypad LEDs
- Strobe LEDs

### DESCRIPTION

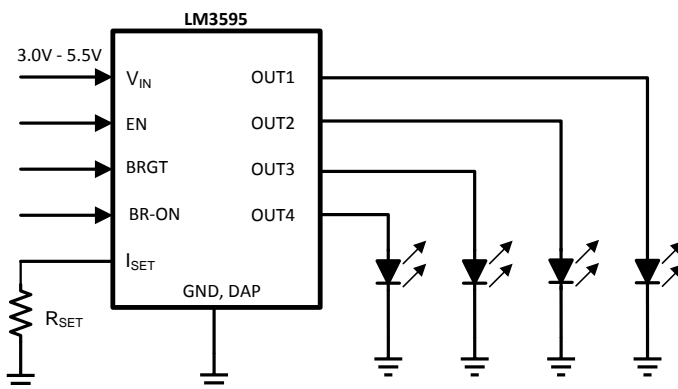
The LM3595 is a parallel white-LED driver that is capable of driving four white LEDs. It can supply a total output current of 100mA over an input voltage range of 3.0V to 5.5V. The amount of constant current sourced to the outputs is user selectable using one external sense resistor.

LM3595 typically draws 0.03 $\mu$ A when placed in shutdown, and 200 $\mu$ A when operating in the no-load condition. If any of the outputs are not used, leave the pin(s) unconnected.

Brightness can be controlled by both analog and PWM techniques. A voltage between 0V and 3V may be applied to the BRGT pin to vary the current. Output current will linearly track the voltage applied to the BRGT pin. An active-low level must be present on the BR-ON pin for analog brightness control to be disabled. Alternatively, a PWM signal can be applied to the EN pin to vary the perceived brightness of the LED.

The LM3595 uses an active-high enable level. The LM3595 is available in TI's WSON-10 package.

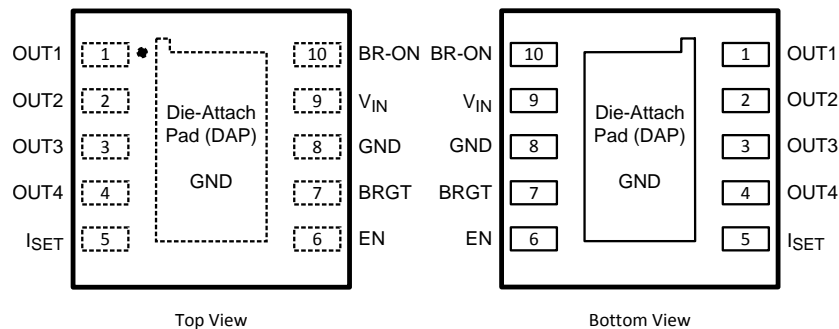
### Typical Application Circuit



Please be aware that an important notice concerning availability, standard warranty, and use in critical applications of Texas Instruments semiconductor products and disclaimers thereto appears at the end of this data sheet.

All trademarks are the property of their respective owners.

## Connection Diagram



**Figure 1. LM3595  
10-Pin WSON Package - 3mm X 3mm  
Package Number NGY0010A**

### PIN DESCRIPTIONS

Pin	Name	Description
9	$V_{IN}$	Input Voltage
1,2,3,4	OUT1-4	Current Source Outputs 1- 4 - Connect directly to LED's
5	$I_{SET}$	Current Set Input- The resistor value tied between this pin and ground sets the output current.
6	EN	Active-High Enable Input - A $1M\Omega$ resistor is connected internally between this pin and GND to pull the voltage on this pin to 0V, and shut down the part, when the pin is left floating.
10	BR-ON	Active-High Analog Brightness Control Enable - A voltage of $.65 \times V_{IN}$ must be applied to this pin to enable analog brightness control.
7	BRGT	Analog-voltage-controlled Brightness Input - When the BR-ON pin is set high, the voltage on this pin allows analog control of the LED's brightness. The recommended voltage range on this pin is 0 - 3 V where 3V is $V_{BR(MAX)}$ . The input impedance of this pin is $300k\Omega$ .
8, DAP	GND	Ground



These devices have limited built-in ESD protection. The leads should be shorted together or the device placed in conductive foam during storage or handling to prevent electrostatic damage to the MOS gates.

## ABSOLUTE MAXIMUM RATINGS<sup>(1)(2)(3)</sup>

$V_{IN}$	-0.3V to 6.0V
EN, BR-ON, BRGT	-0.3V to $(V_{IN} + 0.3V)$ w/ 6.0V max
Junction Temperature ( $T_{J-MAX-ABS}$ )	150°C
Continuous Power Dissipation <sup>(4)</sup>	Internally Limited
Storage Temperature Range	-65°C to 150°C
Lead Temperature (Soldering, 5 Sec.)	260°C
ESD Rating <sup>(5)</sup>	
Human-body model	2 kV
Machine model	200V

- (1) Absolute Maximum Ratings indicate limits beyond which damage to the component may occur. Operating Ratings are conditions under which operation of the device is specified. Operating Ratings do not imply ensured performance limits. For ensured performance limits and associated test conditions, see the Electrical Characteristics tables.
- (2) All voltages are with respect to the potential at the GND pin.
- (3) If Military/Aerospace specified devices are required, please contact the Texas Instruments Sales Office/Distributors for availability and specifications.
- (4) Thermal shutdown circuitry protects the device from permanent damage.
- (5) The Human body model is a 100pF capacitor discharged through a 1.5k $\Omega$  resistor into each pin. The machine model is a 200pF capacitor discharged directly into each pin. MIL-STD-883 3015.7

## OPERATING RATINGS<sup>(1)(2)</sup>

Input Voltage Range <sup>(3)</sup>	3.0V to 5.5V
Output Voltage Range <sup>(3)</sup>	2.0V to 5.5V
Junction Temperature Range <sup>(4)</sup>	-40°C to 105°C
Ambient Temperature Range <sup>(4)</sup>	-40°C to 85°C

- (1) Absolute Maximum Ratings indicate limits beyond which damage to the component may occur. Operating Ratings are conditions under which operation of the device is specified. Operating Ratings do not imply ensured performance limits. For ensured performance limits and associated test conditions, see the Electrical Characteristics tables.
- (2) All voltages are with respect to the potential at the GND pin.
- (3) The operation rating for minimum input voltage,  $V_{MIN}$ , is limited by  $V_{OUTX}$  and  $I_{OUTX}$  as dictated by headroom voltage. The equation,  $V_{MIN} \geq (V_{OUTX} + V_{HR})$ , must be satisfied for the desired output current to be realized. For more information, see the section on [Output Current Capability](#) found in this datasheet.
- (4) In applications where high power dissipation and/or poor package thermal resistance is present, the maximum ambient temperature may have to be derated. Maximum ambient temperature ( $T_{A-MAX}$ ) is dependent on the maximum operating junction temperature ( $T_{J-MAX-OP} = 105^\circ\text{C}$ ), the maximum power dissipation of the device in the application ( $P_{D-MAX}$ ), and the junction-to ambient thermal resistance of the part/package in the application ( $\theta_{JA}$ ), as given by the following equation:  $T_{A-MAX} = T_{J-MAX-OP} - (\theta_{JA} \times P_{D-MAX})$ .

## THERMAL INFORMATION

Junction-to-Ambient Thermal Resistance, WSON-10 Package ( $\theta_{JA}$ ) <sup>(1)</sup>	55°C/W
--	--------

- (1) Junction-to-ambient thermal resistance ( $\theta_{JA}$ ) is taken from a thermal modeling result, performed under the conditions and guidelines set forth in the JEDEC standard JESD51-7. The test board is a 4-layer FR-4 board measuring 102mm x 76mm x 1.6mm with a 2x1 array of thermal vias. The ground plane on the board is 50mm x 50mm. Thickness of copper layers are 36 $\mu\text{m}$ /18 $\mu\text{m}$ /18 $\mu\text{m}$ /36 $\mu\text{m}$  (1.5oz/1oz/1oz/1.5oz). Ambient temperature in simulation is 22°C, still air. Power dissipation is 1W. The value of  $\theta_{JA}$  of the LM3595 in WSON-10 could fall in a range as wide as 50°C/W to 150°C/W (if not wider), depending on PWB material, layout, and environmental conditions. In applications where high maximum power dissipation exists (high  $V_{IN}$ , high  $I_{OUT}$ ), special care must be paid to thermal dissipation issues. For more information on these topics, please refer to Application Note 1187 (literature number [SNOA401](#)) and the [Power Dissipation](#) and [PCB Layout Considerations](#) sections of this datasheet.

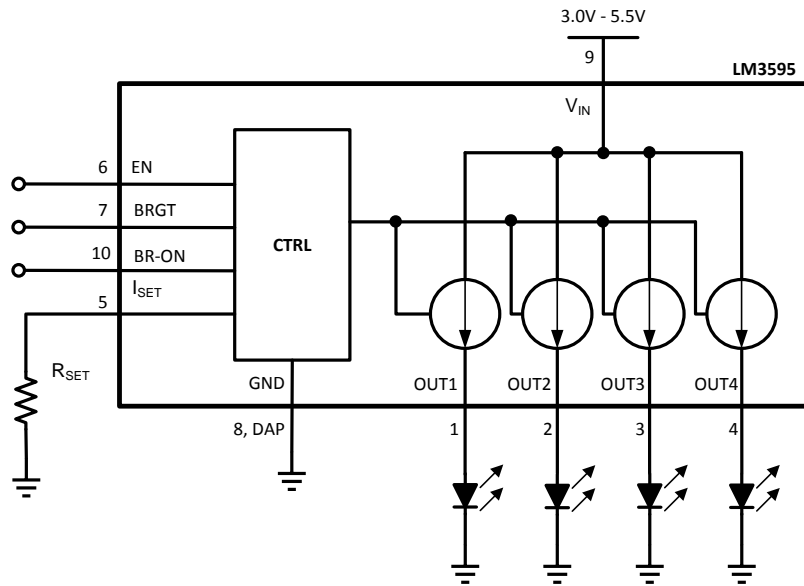
**ELECTRICAL CHARACTERISTICS**<sup>(1)(2)</sup>

Limits in standard typeface and typical values apply for  $T_J = 25^\circ\text{C}$ . Limits in **boldface** type apply over the operating junction temperature range. Unless otherwise specified:  $V_{IN} = 5\text{V}$ ,  $V_{OUTX} = 3.6\text{V}$ ,  $R_{SET} = 8.25\text{k}\Omega$ ,  $V(\text{EN}) = V_{IN}$ ,  $V(\text{BR-ON}) = 0\text{V}$

Symbol	Parameter	Conditions	Min	Typ	Max	Units
$I_{OUTX}$	Output Current Regulation <sup>(3)</sup>	$3.0\text{V} \leq V_{IN} \leq 5.5\text{V}$ $2.0\text{V} \leq V_{OUTX} \leq (V_{IN} - 0.7\text{V})$ $R_{SET} = 4.99\text{k}\Omega$	<b>22.54</b> <b>(-8%)</b>	24.5	<b>26.46</b> <b>(+8%)</b>	mA (%)
		$3.0\text{V} \leq V_{IN} \leq 5.5\text{V}$ $2.0\text{V} \leq V_{OUTX} \leq (V_{IN} - 0.42\text{V})$ $R_{SET} = 8.25\text{k}\Omega$	<b>13.80</b> <b>(-8%)</b>	15.0	<b>16.20</b> <b>(+8%)</b>	
		$3.0\text{V} \leq V_{IN} \leq 5.5\text{V}$ $2.0\text{V} \leq V_{OUTX} \leq (V_{IN} - 0.28\text{V})$ $R_{SET} = 12.4\text{k}\Omega$	<b>9.20</b> <b>(-8%)</b>	10.0	<b>10.80</b> <b>(+8%)</b>	
$I_{OUTX-BRGT}$	Analog Brightness Control Current Regulation	$V(\text{BRGT}) = 3.0\text{V}$ , $V(\text{BR-ON}) = V_{IN}$	<b>13.83</b> <b>(-6.5%)</b>	14.8	<b>15.77</b> <b>(+6.5%)</b>	mA (%)
		$V(\text{BRGT}) = 0\text{V}$ , $V(\text{BR-ON}) = V_{IN}$		100	<b>250</b>	
$I_{OUT-MATCH}$	Current Matching Between Any Two Outputs			0.5	<b>4</b>	%
$V_{SET}$	$I_{SET}$ Pin Voltage		<b>1.147</b> <b>(-6%)</b>	1.22	<b>1.293</b> <b>(+6%)</b>	V (%)
$I_{OUTX}/I_{SET}$	Output Current to Current Set Ratio		<b>95</b> <b>(-5%)</b>	100	<b>105</b> <b>(+5%)</b>	
$V_{HR}$	Current Source Headroom Voltage <sup>(3)</sup>	$I_{OUT} = 95\% \times I_{OUT}(\text{nom})$ $R_{SET} = 4.99\text{k}\Omega$ ( $I_{OUT}(\text{nom})$ approx. 25mA)		500	<b>690</b>	mV
		$I_{OUT} = 95\% \times I_{OUT}(\text{nom})$ $R_{SET} = 12.4\text{k}\Omega$ ( $I_{OUT}(\text{nom})$ approx. 10mA)		200	<b>280</b>	
$I_Q$	Quiescent Supply Current	$I_{OUTX} = 0\text{mA}$ , $V(\text{BR-ON}) = V_{IN}$ , $R_{SET} = \text{Open}$		200	<b>300</b>	$\mu\text{A}$
		$I_{OUTX} = 0\text{mA}$ , $V(\text{BR-ON}) = V_{IN}$ , $R_{SET} = 8.25\text{k}\Omega$		350		
$I_{SD}$	Shutdown Supply Current	$\text{EN} = 0$ , $V(\text{BR-ON}) = V_{IN}$		0.03	<b>1</b>	$\mu\text{A}$
$V_{EN-IH}$	EN Input Logic High	$3.0\text{V} \leq V_{IN} \leq 5.5\text{V}$	<b>1.2</b>		$V_{IN}$	V
$V_{EN-IL}$	EN Input Logic Low	$3.0\text{V} \leq V_{IN} \leq 5.5\text{V}$	<b>0</b>		<b>.5</b>	V
$V_{BRON-IH}$	BR-ON Input Logic High	$3.0\text{V} \leq V_{IN} \leq 5.5\text{V}$	<b>.65 x <math>V_{IN}</math></b>		$V_{IN}$	V
$V_{BRON-IL}$	BR-ON Input Logic Low	$3.0\text{V} \leq V_{IN} \leq 5.5\text{V}$	<b>0</b>		<b>.35 x <math>V_{IN}</math></b>	V
$I_{EN}$	EN Pin Current <sup>(4)</sup>	$V(\text{EN}) = 1.5\text{V}$		1.5		$\mu\text{A}$
		$V(\text{EN}) = 0\text{V}$		0		
$I_{BR-ON}$	BR-ON Pin Current	$0 \leq V_{BR-ON} \leq V_{IN}$		0		$\mu\text{A}$

- (1) All voltages are with respect to the potential at the GND pin.
- (2) All room temperature limits are 100% tested or specified through statistical analysis. All limits at temperature extremes are specified by correlation using standard Statistical Quality Control methods (SQC). All limits are used to calculate Average Outgoing Quality Level (AOQL). Typical numbers are not ensured, but do represent the most likely norm.
- (3) The operation rating for minimum input voltage,  $V_{MIN}$ , is limited by  $V_{OUTX}$  and  $I_{OUTX}$  as dictated by headroom voltage. The equation,  $V_{MIN} \geq (V_{OUTX} + V_{HR})$ , must be satisfied for the desired output current to be realized. For more information, see the section on [Output Current Capability](#) found in this datasheet.
- (4) The EN pin has an internally connected  $1\text{M}\Omega$  pull-down resistor

BLOCK DIAGRAM



### TYPICAL PERFORMANCE CHARACTERISTICS

Unless otherwise specified:  $V_{IN} = 5V$ ,  $BR-ON = 0V$ ,  $R_{SET} = 8.25k\Omega$ ,  $EN = V_{IN}$ ,  $T_A = 25^\circ C$

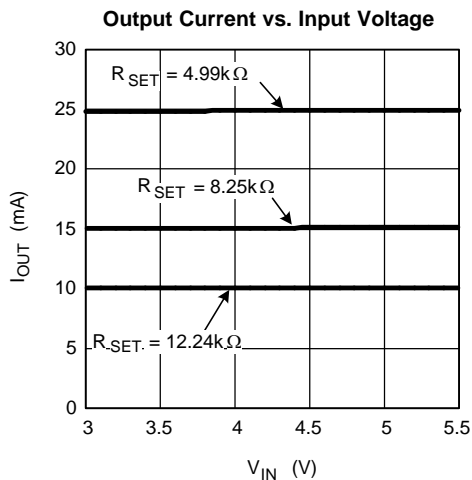


Figure 2.

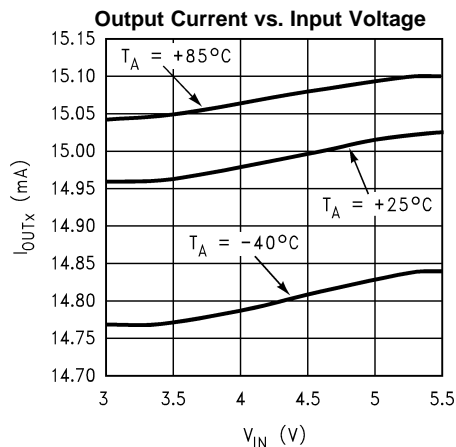


Figure 3.

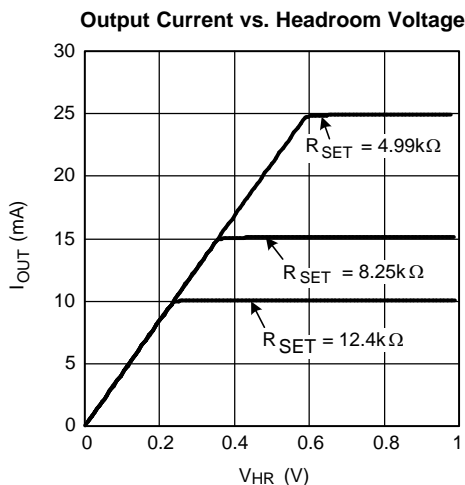


Figure 4.

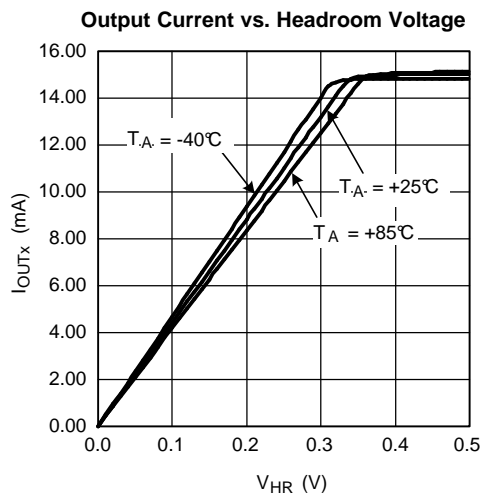


Figure 5.

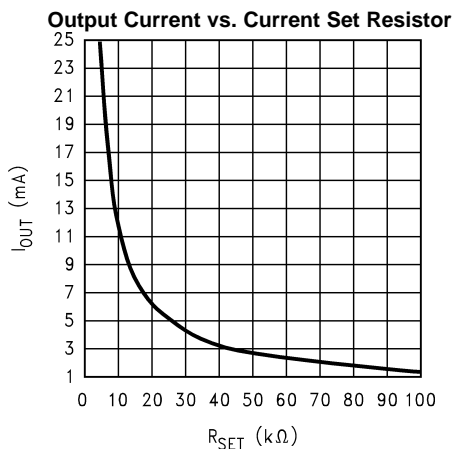


Figure 6.

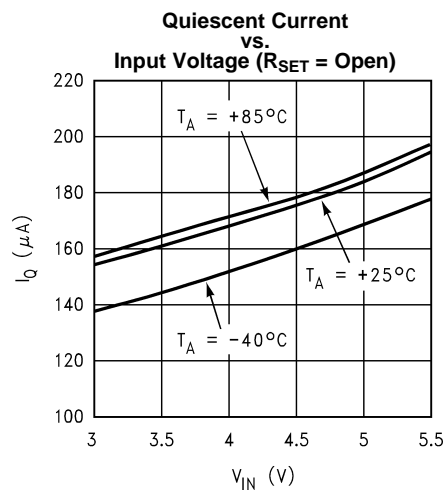


Figure 7.

**TYPICAL PERFORMANCE CHARACTERISTICS (continued)**

Unless otherwise specified:  $V_{IN} = 5V$ ,  $BR-ON = 0V$ ,  $R_{SET} = 8.25k\Omega$ ,  $EN = V_{IN}$ ,  $T_A = 25^\circ C$

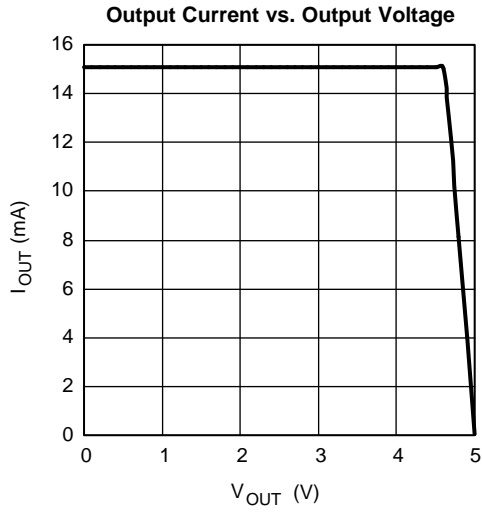


Figure 8.

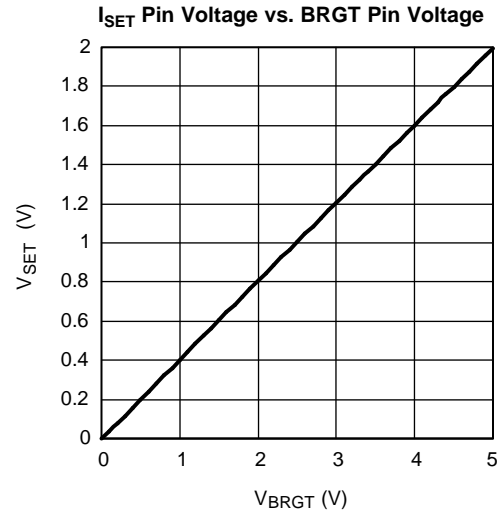


Figure 9.

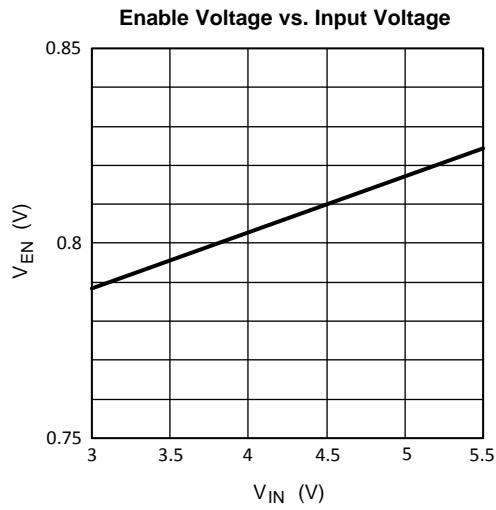
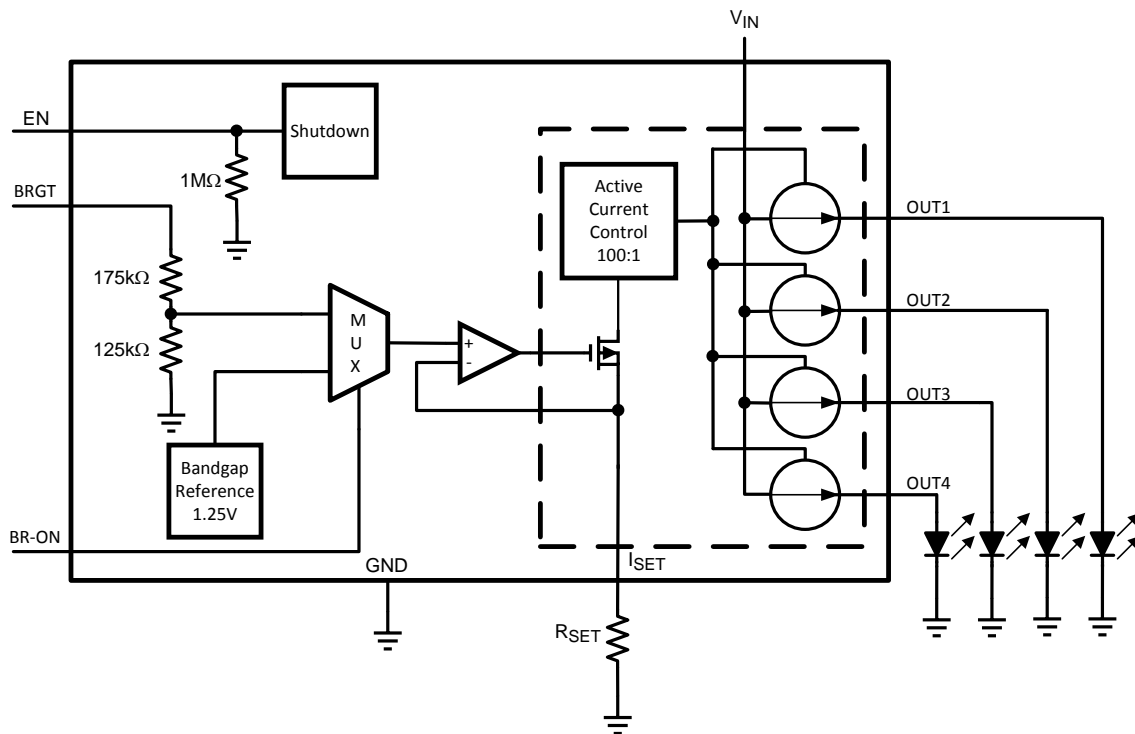


Figure 10.

## DETAILED BLOCK DIAGRAM



### Circuit Description

The LM3595 is a parallel white-LED driver with four matched current outputs. This part is intended to be driven off of an existing power supply rail or other regulated voltage source found within the surrounding system. The matched current regulators each have a 100:1 current ratio between the OUT<sub>x</sub> outputs and the I<sub>SET</sub> currents. The mirrors control the current through the LEDs without the use of external ballast resistors. With a total of 100mA of total output current available, the LM3595 is easily capable of supplying 25mA per each of the four outputs through the proper selection of the R<sub>SET</sub> resistor. LED brightness control can be achieved on the LM3595 with a PWM signal and/or an analog voltage.



## APPLICATION INFORMATION

### ENABLE / SHUTDOWN

When the voltage on the active-high-logic enable pin is low, the LM3595 will be in shutdown. While disabled, the LM3595 typically draws 0.1µA. When the EN pin is unconnected, the part automatically goes into shutdown due to an internal 1MΩ pull-down resistor that is tied between EN and GND.

### OUTPUT CURRENT CAPABILITY

The LM3595 is capable of providing up to 25mA of current to each of the four outputs given an input voltage of 3.0V to 5.5V. The outputs have a typical current matching of 0.5% between adjacent sources. An external resistor can be used to set the output current, as approximated with the following the equation:

$$R_{SET} = 100 \times (1.22V / I_{OUTX}) \text{ with BR-ON} = 0V$$

In order for the output currents to be regulated properly, sufficient headroom voltage ( $V_{HR}$ ) must be present. The headroom voltage refers to the minimum amount of voltage that must be present across the current source in order to ensure the desired current is realizable. To ensure the desired current is obtained, apply the following equations to find the minimum input voltage required:

$$V_{IN} - V_{OUTX} \geq V_{HR}$$

$V_{OUTX}$  is the diode forward voltage, and  $V_{HR}$  is defined by the following equation:

$$V_{HR} = k_{HR} \times (0.95 \times I_{OUTX})$$

$I_{OUTX}$  is the desired diode current, and  $k_{HR}$ , typically 23mV/mA in the LM3595, is a proportionality constant that represents the ON-resistance of the internal current mirror transistors. For worst-case design calculations, using a  $k_{HR}$  of 30mV/mA is recommended. (Worst-case recommendation accounts for parameter shifts from part-to-part variation and applies over the full operating temperature range). Changes in headroom voltage from one output to the next, possible with LED forward voltage mismatch, will result in different output currents and LED brightness mismatch. Thus, operating the LM3595 with insufficient headroom voltage across all current sources should be avoided.

**Table 1.  $I_{OUT}$ ,  $R_{SET}$  and  $V_{HR-MIN}$ <sup>(1)</sup>**

$I_{OUT}$	$R_{SET}$	$V_{HEADROOM}$
10mA	12.4kΩ	285mV
15mA	8.25kΩ	430mV
25mA	4.88kΩ	715mV

(1) Voltage (BR-ON = 0V),  $k_{HR}$  = 30 mV/mA (worst-case)

### PWM BRIGHTNESS CONTROL

Brightness control can be implemented by pulsing a signal at the EN pin. When a PWM signal is used to drive the EN pin of the LM3595, the BR-ON pin should be driven low. The  $R_{SET}$  value should be selected using the  $R_{SET}$  equation when the analog brightness control feature is disabled. LED brightness is proportional to the duty cycle (D) of the PWM signal. For linear brightness control over the full duty cycle adjustment range, the PWM frequency (f) should be limited to accommodate the turn-on time ( $T_{ON}$  = 50µs) of the device.

$$D \times (1/f) > T_{ON}$$

$$f_{MAX} = D_{MIN} \div T_{ON}$$

If the PWM frequency is much less than 100Hz, flicker may be seen in the LEDs. For the LM3595, zero duty cycle will turn off the LEDs and a 50% duty cycle will result in an average  $I_{OUT}$  being half of the programmed LED current. For example, if  $R_{SET}$  is set to program 15mA, a 50% duty cycle will result in an average  $I_{LED}$  of 7.5mA.  $I_{OUT}$  being half the programmed LED current.  $R_{SET}$  should be chosen not to exceed the maximum current delivery capability of the device.

## ANALOG BRIGHTNESS CONTROL

The LM3595 allows for analog brightness control using the BR-ON, and BRGT pin. To enable this function, the BR-ON pin must be set to a voltage greater or equal to  $0.45 \cdot V_{IN}$ . With analog brightness enabled, the voltage delivered to pin BRGT can be used to adjust the output currents. Use the maximum desired current ( $I_{OUTx(max)}$ ) and the maximum analog voltage to be used in the adjustment ( $V(BR)_{(max)}$ ) to size  $R_{SET}$  according to the following equation:

$$R_{SET} = 100 \times \left( \frac{1.22 \text{ V}}{I_{OUTx(max)}} \right) \times \left( \frac{V(BRGT)_{(max)}}{3.0 \text{ V}} \right)$$

Table 2 shows the current through each LED for the LM3595 with various BRGT and RSET values.

When analog brightness is used, applying 0V to the BRGT pin does not turn the LEDs off completely. There is a small amount of leakage current (100 $\mu$ A) that typically causes a small amount of light to be emitted from the LED. In order to completely turn off the LEDs, drive the EN pin low to disable the part.

**Table 2. LED Current when using the BRGT input with BR-ON =  $V_{IN}$**

$R_{SET} (\Omega)$	4.99k $\Omega$	6.25k $\Omega$	8.25k $\Omega$	12.4k $\Omega$
VBRGT(V)	$I_{LED}(\text{mA})$	$I_{LED}(\text{mA})$	$I_{LED}(\text{mA})$	$I_{LED}(\text{mA})$
0.0	0.1	0.1	0.1	0.1
0.5	4.1	3.3	2.5	1.6
1.0	8.1	6.7	4.9	3.3
1.5	12.2	10.0	7.4	4.9
2.0	16.3	13.3	9.9	6.6
2.5	20.4	16.7	12.3	8.2
3.0	24.5	20.0	14.8	9.8

## LED SELECTION

The LM3595 is designed to drive white-LEDs with a typical forward voltage of 3.0V to 4.0V. The maximum LED forward voltage that the LM3595 can accommodate is highly dependant upon  $V_{IN}$  and  $I_{OUTx}$ . (See the section on [Output Current Capability](#) for more information on finding maximum  $V_{OUTx}$ .) For applications that demand color and brightness matching, care must be taken to select LEDs from the same chromaticity group. Forward current matching is assured over the LED process variations due to the constant current outputs of the LM3595.

**Table 3. White LED Selection: Component Manufacture Contact**

Manufacturer	Contact
Osram	<a href="http://www.osram-os.com">www.osram-os.com</a>
Nichia	<a href="http://www.nichia.com">www.nichia.com</a>

## PARALLEL OUT<sub>x</sub> OUTPUTS FOR INCREASED CURRENT DRIVE

Outputs OUT1 through OUT4 may be connected together in any combination to drive higher currents through fewer LEDs. For example in [Figure 11](#), outputs OUT1 and OUT2 are connected together to drive one LED while OUT3 and OUT4 are connected together to drive a second LED.

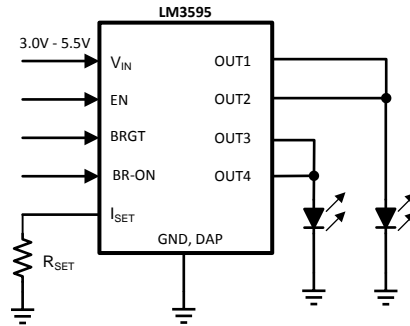


Figure 11. Two Parallel Connected LEDs

With this configuration, two parallel current sources of equal value provide current to each LED.  $R_{SET}$  and  $V_{BRGT}$  should therefore be chosen so that the current through each output is programmed to 50% of the desired current through the parallel connected LEDs. For example, if 30mA is the desired drive current for 2 parallel connected LEDs,  $R_{SET}$  and  $V_{BRGT}$  should be selected so that the current through each of the outputs is 15mA. Other combinations of parallel outputs may be implemented in similar fashions, such as in [Figure 12](#).

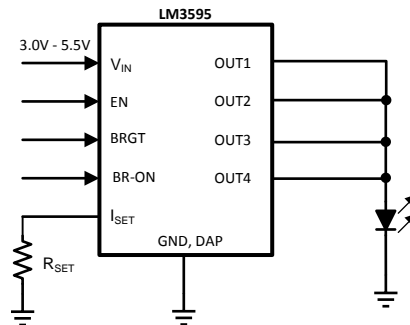


Figure 12. One Parallel Connected LED

Connecting outputs in parallel does not affect internal operation of the LM3595 and has no impact on the Electrical Characteristics and limits previously presented. The available diode output current, maximum diode voltage, and all other specifications provided in the [Electrical Characteristics](#) table apply to parallel output configurations, just as they do to the standard 4-LED application circuit.

## POWER DISSIPATION

The maximum allowable power dissipation that this package is capable of handling can be determined as follows:

$$P_{DMax} = (T_{JMax} - T_A) / \theta_{JA}$$

where

- $T_{JMAX}$  is the maximum junction temperature
- $T_A$  is the ambient temperature
- $\theta_{JA}$  is the junction-to-ambient thermal resistance of the specified package

The LM3595 come in the WSON-10 package that has a junction-to-ambient thermal resistance ( $\theta_{JA}$ ) equal to 55°C/W. This value of  $\theta_{JA}$  is highly dependant upon the layout of the PC board (See the [PCB Layout Considerations](#) section of this datasheet for more information). The actual power dissipated by the LM3595 follows the equation:

$$P_{DISS} = (V_{IN} \times I_{IN}) - N(V_{OUTX} \times I_{OUTX})$$

where

- N equals the number of active outputs
- $V_{OUTX}$  is the LED forward voltage
- $I_{OUTX}$  is the current supplied to the diode by the LM3595

Power dissipation must be less than that allowed by the package. Please refer to the [Absolute Maximum Rating](#) of the LM3595.

## INPUT CAPACITOR SELECTION

The LM3595 is designed to run off of a fixed input voltage. Depending on the stability and condition of this voltage rail, it may be necessary to add a small input capacitor to help filter out any noise that may be present on the line. In the event that filtering is needed, surface-mount multi-layer ceramic capacitors are recommended. These capacitors are small and inexpensive. A capacitance of 1µF is typically sufficient.

## THERMAL PROTECTION

The LM3595 has internal thermal protection circuitry to disable the part if the junction temperature exceeds 150°C. This feature will protect the device from damage due to excessive power dissipation. The device will recover and operate normally when the junction temperature falls below the maximum operating junction temperature of 105°C. It is important to have good thermal conduction with a proper layout to reduce thermal resistance.

## PCB LAYOUT CONSIDERATIONS

The WSON is a leadframe based Chip Scale Package (CSP) with very good thermal properties. This package has an exposed DAP (die attach pad) at the center of the package measuring 2.0mm x 1.2mm. The main advantage of this exposed DAP is to offer lower thermal resistance when it is soldered to the thermal land on the PCB. For PCB layout, TI highly recommends a 1:1 ratio between the package and the PCB thermal land. To further enhance thermal conductivity, the PCB thermal land may include vias to a ground plane. For more detailed instructions on mounting WSON packages, please refer to Application Note AN-1187 (literature number [SNOA401](#)).

## IMPORTANT NOTICE

Texas Instruments Incorporated and its subsidiaries (TI) reserve the right to make corrections, enhancements, improvements and other changes to its semiconductor products and services per JESD46, latest issue, and to discontinue any product or service per JESD48, latest issue. Buyers should obtain the latest relevant information before placing orders and should verify that such information is current and complete. All semiconductor products (also referred to herein as "components") are sold subject to TI's terms and conditions of sale supplied at the time of order acknowledgment.

TI warrants performance of its components to the specifications applicable at the time of sale, in accordance with the warranty in TI's terms and conditions of sale of semiconductor products. Testing and other quality control techniques are used to the extent TI deems necessary to support this warranty. Except where mandated by applicable law, testing of all parameters of each component is not necessarily performed.

TI assumes no liability for applications assistance or the design of Buyers' products. Buyers are responsible for their products and applications using TI components. To minimize the risks associated with Buyers' products and applications, Buyers should provide adequate design and operating safeguards.

TI does not warrant or represent that any license, either express or implied, is granted under any patent right, copyright, mask work right, or other intellectual property right relating to any combination, machine, or process in which TI components or services are used. Information published by TI regarding third-party products or services does not constitute a license to use such products or services or a warranty or endorsement thereof. Use of such information may require a license from a third party under the patents or other intellectual property of the third party, or a license from TI under the patents or other intellectual property of TI.

Reproduction of significant portions of TI information in TI data books or data sheets is permissible only if reproduction is without alteration and is accompanied by all associated warranties, conditions, limitations, and notices. TI is not responsible or liable for such altered documentation. Information of third parties may be subject to additional restrictions.

Resale of TI components or services with statements different from or beyond the parameters stated by TI for that component or service voids all express and any implied warranties for the associated TI component or service and is an unfair and deceptive business practice. TI is not responsible or liable for any such statements.

Buyer acknowledges and agrees that it is solely responsible for compliance with all legal, regulatory and safety-related requirements concerning its products, and any use of TI components in its applications, notwithstanding any applications-related information or support that may be provided by TI. Buyer represents and agrees that it has all the necessary expertise to create and implement safeguards which anticipate dangerous consequences of failures, monitor failures and their consequences, lessen the likelihood of failures that might cause harm and take appropriate remedial actions. Buyer will fully indemnify TI and its representatives against any damages arising out of the use of any TI components in safety-critical applications.

In some cases, TI components may be promoted specifically to facilitate safety-related applications. With such components, TI's goal is to help enable customers to design and create their own end-product solutions that meet applicable functional safety standards and requirements. Nonetheless, such components are subject to these terms.

No TI components are authorized for use in FDA Class III (or similar life-critical medical equipment) unless authorized officers of the parties have executed a special agreement specifically governing such use.

Only those TI components which TI has specifically designated as military grade or "enhanced plastic" are designed and intended for use in military/aerospace applications or environments. Buyer acknowledges and agrees that any military or aerospace use of TI components which have **not** been so designated is solely at the Buyer's risk, and that Buyer is solely responsible for compliance with all legal and regulatory requirements in connection with such use.

TI has specifically designated certain components as meeting ISO/TS16949 requirements, mainly for automotive use. In any case of use of non-designated products, TI will not be responsible for any failure to meet ISO/TS16949.

### Products

Audio	<a href="http://www.ti.com/audio">www.ti.com/audio</a>
Amplifiers	<a href="http://amplifier.ti.com">amplifier.ti.com</a>
Data Converters	<a href="http://dataconverter.ti.com">dataconverter.ti.com</a>
DLP® Products	<a href="http://www.dlp.com">www.dlp.com</a>
DSP	<a href="http://dsp.ti.com">dsp.ti.com</a>
Clocks and Timers	<a href="http://www.ti.com/clocks">www.ti.com/clocks</a>
Interface	<a href="http://interface.ti.com">interface.ti.com</a>
Logic	<a href="http://logic.ti.com">logic.ti.com</a>
Power Mgmt	<a href="http://power.ti.com">power.ti.com</a>
Microcontrollers	<a href="http://microcontroller.ti.com">microcontroller.ti.com</a>
RFID	<a href="http://www.ti-rfid.com">www.ti-rfid.com</a>
OMAP Applications Processors	<a href="http://www.ti.com/omap">www.ti.com/omap</a>
Wireless Connectivity	<a href="http://www.ti.com/wirelessconnectivity">www.ti.com/wirelessconnectivity</a>

### Applications

Automotive and Transportation	<a href="http://www.ti.com/automotive">www.ti.com/automotive</a>
Communications and Telecom	<a href="http://www.ti.com/communications">www.ti.com/communications</a>
Computers and Peripherals	<a href="http://www.ti.com/computers">www.ti.com/computers</a>
Consumer Electronics	<a href="http://www.ti.com/consumer-apps">www.ti.com/consumer-apps</a>
Energy and Lighting	<a href="http://www.ti.com/energy">www.ti.com/energy</a>
Industrial	<a href="http://www.ti.com/industrial">www.ti.com/industrial</a>
Medical	<a href="http://www.ti.com/medical">www.ti.com/medical</a>
Security	<a href="http://www.ti.com/security">www.ti.com/security</a>
Space, Avionics and Defense	<a href="http://www.ti.com/space-avionics-defense">www.ti.com/space-avionics-defense</a>
Video and Imaging	<a href="http://www.ti.com/video">www.ti.com/video</a>

### TI E2E Community

[e2e.ti.com](http://e2e.ti.com)