

LP265,LP365

LP265 LP365 Micropower Programmable Quad Comparator



Literature Number: SNOSBC5A

LP265/LP365 Micropower Programmable Quad Comparator

General Description

The LP365 consists of four independent voltage comparators. The comparators can be programmed, four at the same time, for various supply currents, input currents, response times and output current drives. This is accomplished by connecting a single resistor between the V_{CC} and I_{SET} pins.

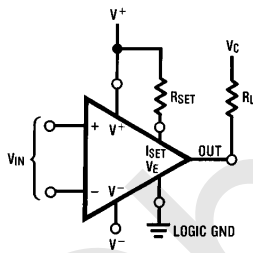
These comparators can be operated from split power supplies or from a single power supply over a wide range of voltages. The input can sense signals at ground level even with single supply operation. The unique output NPN transistor stages are uncommitted to either power supply. They can be connected directly to various logic system supplies so that they are highly flexible to interface with various logic families.

Application areas include battery power circuits, threshold detectors, zero crossing detectors, simple serial A/D converters, VCO, multivibrators, voltage converters, power sequencers, and high performance V/F converters, and RTD linearization.

Features

- Single programming resistor to tailor power consumption, input current, speed and output current drive capability
- Wide single supply voltage range or dual supplies (4 V_{DC} to 36 V_{DC} or $\pm 2.0 V_{DC}$ to $\pm 18 V_{DC}$)
- Low supply current drain (10 μA) and low power consumption (10 μW /comparator) @ $I_{SET} = 0.5 \mu A$ $V_{CC} = 5V_{DC}$
- Uncommitted output stage—selectable output levels
- Output directly compatible with DTL, TTL, CMOS, MOS or other special logic families
- Input common-mode range includes ground
- Differential input voltage equal to the power supply voltage

Typical Connection



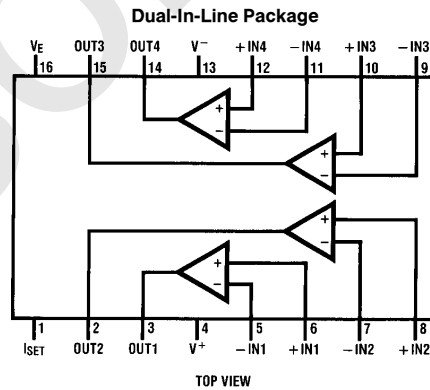
TL/H/5023-1

Programming Equation

$$I_{SET} = \frac{(V^+) - (V^-) - 1.3V}{R_{SET}}$$

$$I_{SUPPLY} \approx 22 \times I_{SET}$$

Connection Diagram



TL/H/5023-2

Order Number LP365M, LP365AN or LP365N
See NS Package Numbers M16A or N16A

Absolute Maximum Ratings

If Military/Aerospace specified devices are required, please contact the National Semiconductor Sales Office/Distributors for availability and specifications.

Supply Voltage	36 V _{DC} or ± 18 V _{DC}
Differential Input Voltage	± 36 V _{DC}
Input Voltage (Note 1)	−0.3V to +36 V _{DC}
Output Short Circuit to V _E (Note 2)	Continuous
V _{OUT} with Respect to V _E	V _E − 7V ≤ V _{OUT} ≤ V _E + 36V
ESD Tolerance (Note 10)	2000V

Power Dissipation (Note 3)

T_j Max

θ_{jA}

Lead Temp.

(Soldering—10 sec.)

(Vapor Phase—60 sec.)

(Infrared—15 sec.)

Operating Temp. Range LP365:

Storage Temp. Range

M Package **N Package**

500 mW 500 mW

115°C 115°C

115°C/W 90°C/W

215°C 260°C

220°C

0°C ≤ T_A ≤ +70°C

−40°C ≤ T_A ≤ +150°C

Electrical Characteristics (Note 4) Low power V_S = 5V, I_{SET} = 10 μA

Symbol	Parameter	Conditions	LP365A			LP365			Units (Limit)
			Typ	Tested Limit (Note 5)	Design Limit (Note 6)	Typ	Tested Limit (Note 5)	Design Limit (Note 6)	
V _{OS}	Input Offset Voltage	V _{CM} = 0V, R _S = 100	1	3	6	3	6	9	mV (Max)
I _{OS}	Input Offset Current	V _{CM} = 0V LP265	2	20	50	4	25	75	nA (Max)
						4	25	150	
I _B	Input Bias Current	V _{CM} = 0V LP265	10	50	125	15	75	200	nA (Max)
						15	75	300	
A _{VOL}	Large Signal Voltage Gain	R _L = 100k	500	50	50	300	25	25	V/mV (Min)
V _{CM}	Input Common-Mode Voltage Range			0	0		0	0	V (Max)
				3	3		3	3	V (Min)
CMRR	Common-Mode Rejection Ratio	0 ≤ V _{CM} ≤ 3V	85	75	70	80	75	70	dB (Min)
PSRR	Supply Voltage Rejection Ratio	±2.5V ≤ V _S ≤ ±3.5V	75	65	65	70	65	65	dB (Min)
I _S	Supply Current	All Inputs = 0V, R _L = ∞	215	250	300	225	275	300	μA (Max)
V _{OH}	Output Voltage High	V _C = 5V, V _E = 0V, R _L = 100k		4.9	4.5		4.9	4.5	V (Min)
V _{OL}	Output Voltage Low	V _E = 0V		0.4	0.4		0.4	0.4	V (Max)
I _{SINK}	Output Sink Current	V _E = 0V, V _O = 0.4V	2.4	1.2	0.6	2.0	0.8	0.4	mA (Min)
I _{LEAK}	Output Leakage Current	V _C = 5V, V _E = 0V	2	50	5000	2	100	5000	nA (Max)
t _R	Response Time	V _{CC} = 5V, V _E = 0V, R _L = 5k, C _L = 10 pF (Note 7)	4			4			μs

Electrical Characteristics (Continued) (Note 8) High power $V_S = \pm 15V$, $I_{SET} = 100 \mu A$

Symbol	Parameter	Conditions	LP365A			LP365			Units (Limit)
			Typ	Tested Limit (Note 5)	Design Limit (Note 6)	Typ	Tested Limit (Note 5)	Design Limit (Note 6)	
V_{OS}	Input Offset Voltage	$V_{CM} = 0V$, $R_S = 100$	1	3	6	3	6	9	mV (Max)
I_{OS}	Input Offset Current	$V_{CM} = 0V$ LP265	5	50	100	10	90	200	nA (Max)
						10	90	500	
I_B	Input Bias Current	$V_{CM} = 0V$ LP265	60	200	500	80	300	500	nA (Max)
						80	300	800	
A_{VOL}	Large Signal Voltage Gain	$R_L = 15k$	500	100	100	500	100	100	V/mV (Min)
V_{CM}	Input Common-Mode Voltage Range			-15	-15		-15	-15	V (Max)
				13	13		13	13	V (Min)
CMRR	Common-Mode Rejection Ratio	$-15V \leq V_{CM} \leq 13V$	85	75	70	80	75	70	dB (Min)
PSRR	Supply Voltage Rejection Ratio	$\pm 10V \leq V_S \leq \pm 15V$	80	70	70	75	70	70	dB (Min)
I_S	Supply Current	All Inputs = 0V, $R_L = \infty$, LP265	2.6	3	3.3	2.8	3.5	3.7	mA (Max)
						2.8	3.5	4.3	
V_{OH}	Output Voltage High	$V_C = 5V$, $V_E = 0V$, $R_L = 100k$		4.9	4.5		4.9	4.5	V (Min)
V_{OL}	Output Voltage Low	$V_E = 0V$		0.4	0.4		0.4	0.4	V (Max)
I_{SINK}	Output Sink Current	$V_E = 0V$, $V_O = 0.4V$	10	8	5.5	7.5	6	4	mA (Min)
I_{LEAK}	Output Leakage Current	$V_C = 15V$, $V_E = -15V$	5	50	5000	5	50	5000	nA (Max)
t_R	Response Time	$V_{CC} = 5V$, $V_E = 0V$, $R_L = 5k$, $C_L = 10 \text{ pF}$ (Note 7)	1.0			1.0			μs

Note 1: The input voltage is not allowed to go 0.3V above V^+ or -0.3V below V^- as this will turn on a parasitic transistor causing large currents to flow through the device.

Note 2: Short circuits from the output to V^+ may cause excessive heating and eventual destruction. The current in the output leads and the V_E lead should not be allowed to exceed 30 mA. The output should not be shorted to V^- if $V_E \leq (V^-) + 7V$.

Note 3: For operating at elevated temperatures, these devices must be derated based on a thermal resistance of θ_{JA} and T_J max. $T_J = T_A + \theta_{JA} P_D$.

Note 4: Boldface numbers apply at temperature extremes. All other numbers apply at $T_A = T_J = 25^\circ C$. $V^+ = 5V$, $V^- = 0V$, $I_{SET} = 10 \mu A$, $R_L = 100k$, and $V_C = 5V$ as shown in the Typical Connection diagram.

Note 5: Guaranteed and 100% production tested.

Note 6: Guaranteed (but not 100% production tested) over the operating temperature and supply voltage ranges. These limits are not used to calculate out-going quality levels.

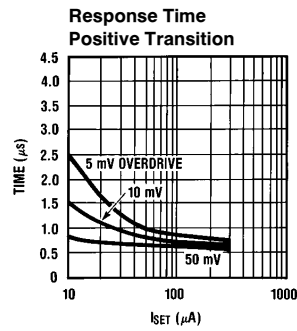
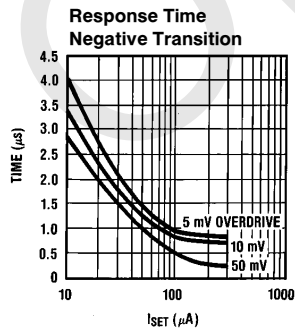
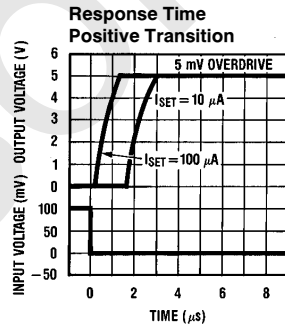
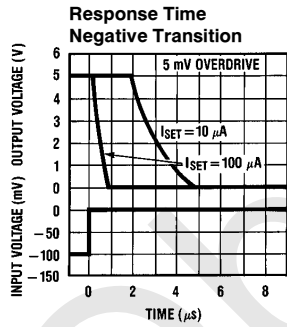
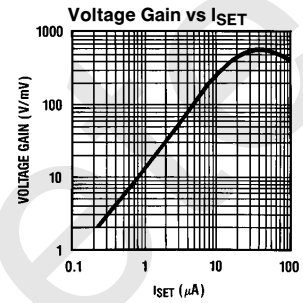
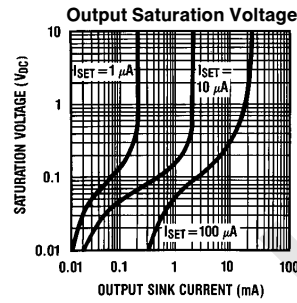
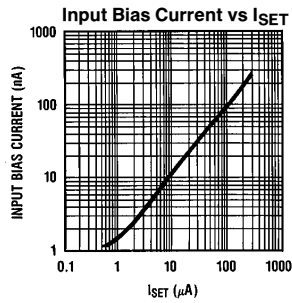
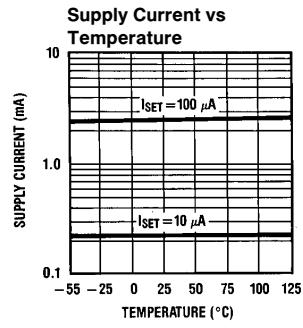
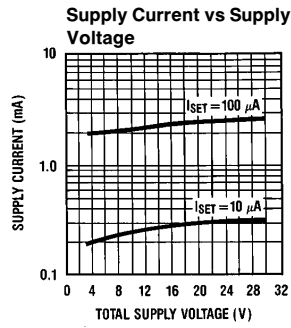
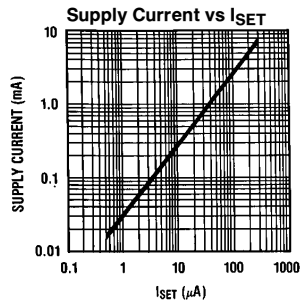
Note 7: The response time specified is for a 100 mV input step with 5 mV overdrive.

Note 8: Boldface numbers apply at temperature extremes. All other numbers apply at $T_A = T_J = 25^\circ C$. $V^+ = +15V$, $V^- = -15V$, $I_{SET} = 100 \mu A$, $R_L = 100k$, and $V_C = 5V$ as shown in the Typical Connection diagram.

Note 9: See AN-450 "Surface Mounting Methods and Their Effect on Product Reliability" for other methods of soldering surface mount devices.

Note 10: Human body model, 1.5 k Ω in series with 100 pF.

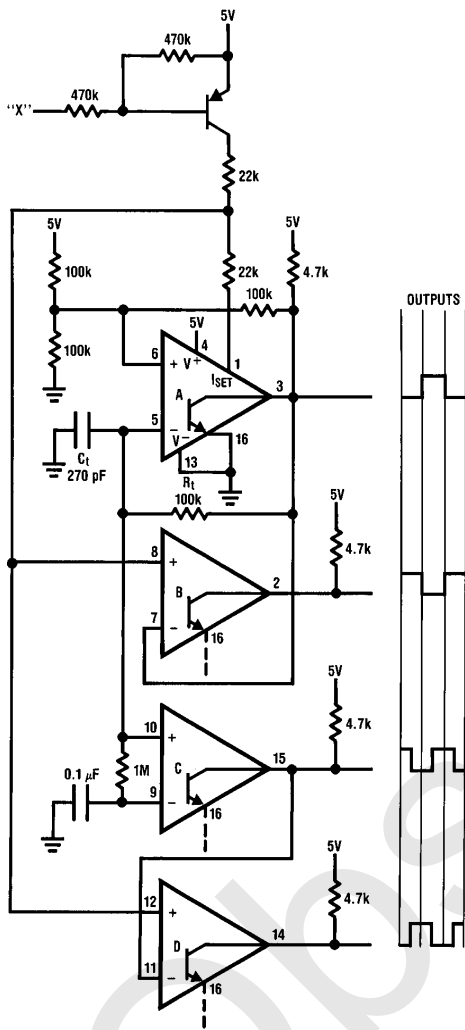
Typical Performance Characteristics



TL/H/5023-3

Typical Applications

Gated 4-Phase Oscillator



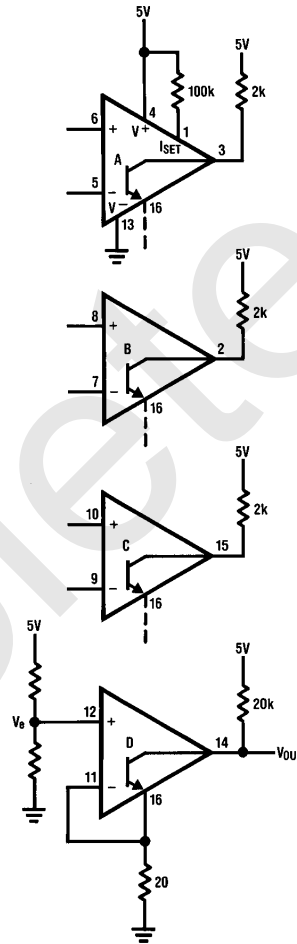
TL/H/5023-4

$f = 20 \text{ kHz}$

$$f = \frac{1}{1.6 \cdot R_t \cdot C_t}$$

All four phases run when X is low. When X is high, oscillation stops and power drain is zero.

"Voting" Comparator

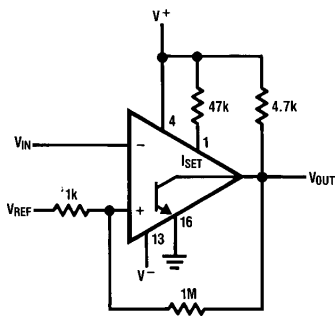


TL/H/5023-5

If $V_E = 0.25V$, then V_{OUT} will be low if 1 of the 3 other outputs are low. Choice of $V_E = 0.50V$ causes V_{OUT} to be low if 2 of the 3 other outputs are low; $V_E = 0.75V$ will cause V_{OUT} to be low if all 3 other outputs are low.

Typical Applications (Continued)

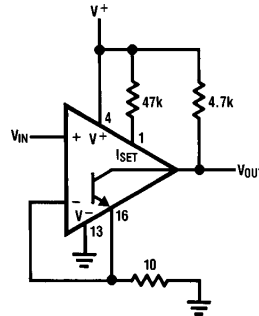
Ordinary Hysteresis



TL/H/5023-6

It is a good practice to add a few millivolts of positive feedback to prevent oscillation when the input voltage is near the threshold.

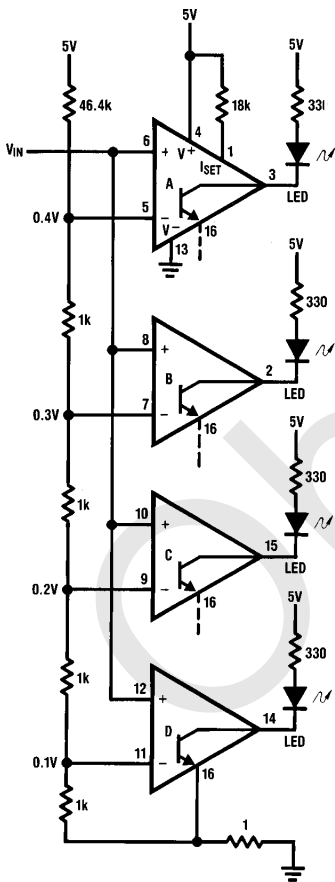
Hysteresis from Emitter



TL/H/5023-7

Positive feedback from the emitter can also prevent oscillations when V_{IN} is near the threshold.

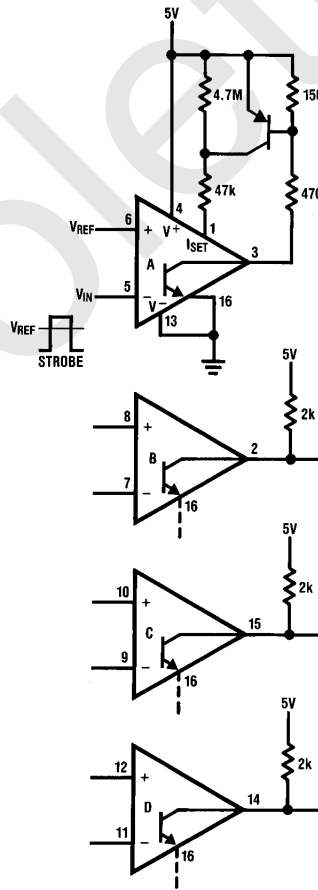
Bar-Graph Display



TL/H/5023-8

The positive feedback from pin 16 provides hysteresis.

Level-Sensitive Strobe

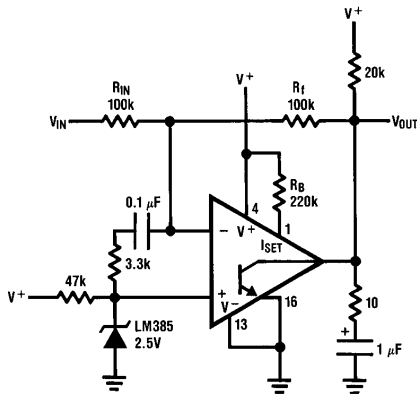


TL/H/5023-9

Comparators B, C, and D do not respond until activated by the signal applied to comparator A.

Typical Applications (Continued)

Slow Op Amp (Inverter)

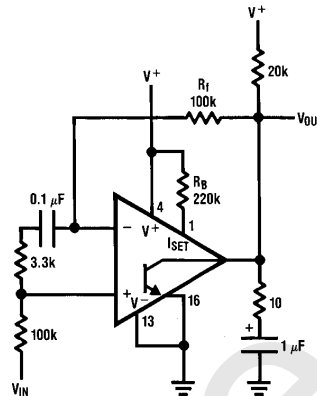


TL/H/5023-10

$$R_B = V^+ / 20 \mu A$$

Unlike most comparators, the LP365 can be used as an op amp, if suitable R-C damping networks are used.

Slow Op Amp (Unity-Gain Follower)

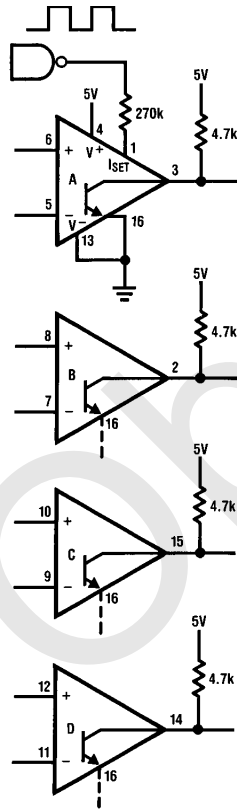


TL/H/5023-11

$$R_B = V^+ / 20 \mu A$$

The LP365 can also be used as a high-input-impedance follower-amplifier with the damping components shown.

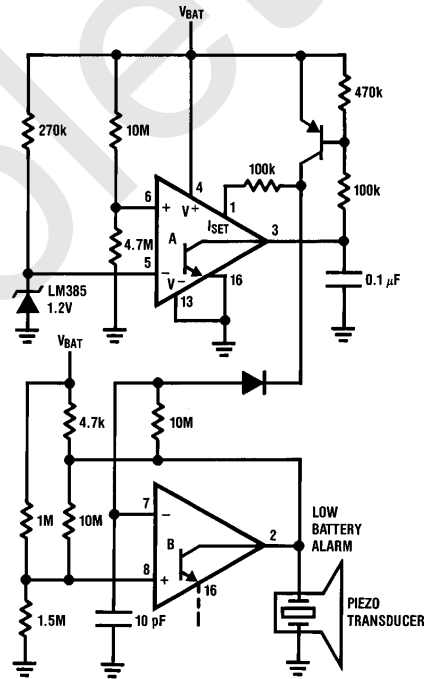
Chopping Outputs



TL/H/5023-12

Chopping the outputs by modulating the ISET current allows data to be transmitted via opto-couplers, transformers, etc.

Low Battery Detector



TL/H/5023-13

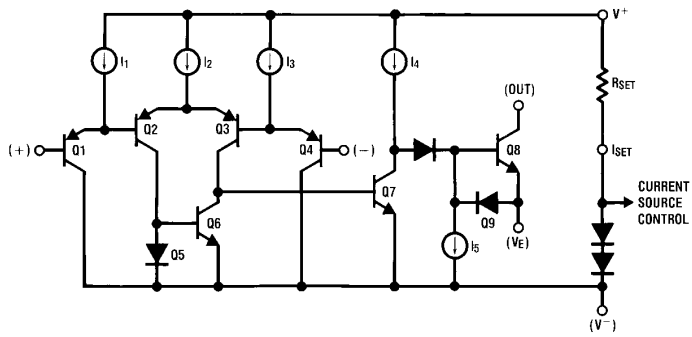
$$I_S @ 6V = 45 \mu A$$

$$I_S @ 3.8V = 1 \mu A$$

$$f = 3 \text{ kHz}$$

Comparator A detects when the supply voltage drops to 4V and enables comparator B to drive a piezoelectric alarm.

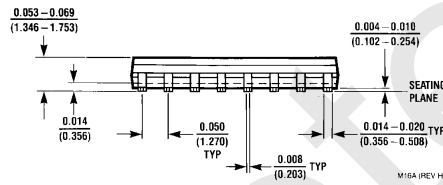
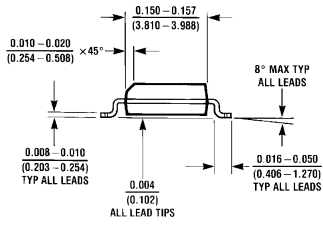
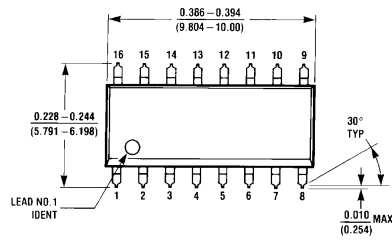
Simplified Schematic



Current sources are programmed by I_{SET}
 V_E is common to all 4 comparators

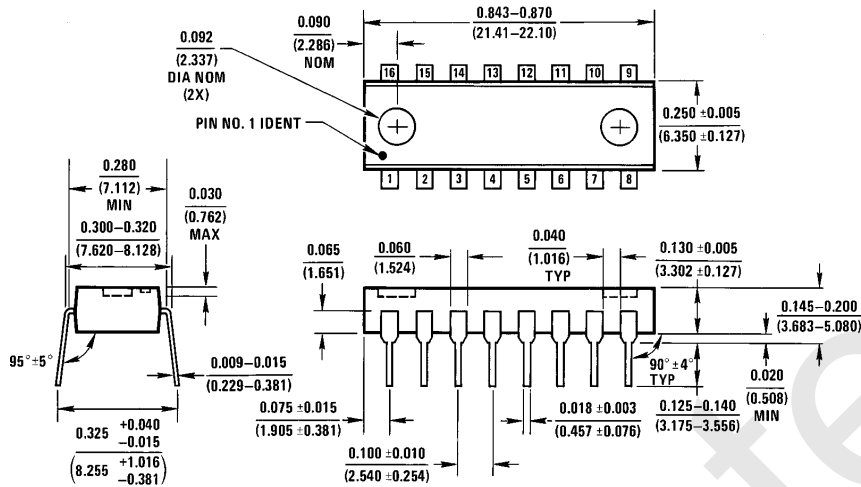
TL/H/5023-14

Physical Dimensions inches (millimeters)



Plastic Surface-Mount Package (M)
Order Number LP365M
NS Package Number M16A

Physical Dimensions inches (millimeters) (Continued)



Molded Dual-In-Line Package (N)
Order Number LP365AN or LP365N
NS Package Number N16A

N16A (REV E)

LIFE SUPPORT POLICY

NATIONAL'S PRODUCTS ARE NOT AUTHORIZED FOR USE AS CRITICAL COMPONENTS IN LIFE SUPPORT DEVICES OR SYSTEMS WITHOUT THE EXPRESS WRITTEN APPROVAL OF THE PRESIDENT OF NATIONAL SEMICONDUCTOR CORPORATION. As used herein:

1. Life support devices or systems are devices or systems which, (a) are intended for surgical implant into the body, or (b) support or sustain life, and whose failure to perform, when properly used in accordance with instructions for use provided in the labeling, can be reasonably expected to result in a significant injury to the user.
2. A critical component is any component of a life support device or system whose failure to perform can be reasonably expected to cause the failure of the life support device or system, or to affect its safety or effectiveness.



National Semiconductor Corporation
 1111 West Bardin Road
 Arlington, TX 76017
 Tel: 1(800) 272-9959
 Fax: 1(800) 737-7018

National Semiconductor Europe
 Fax: (+49) 0-180-530 85 86
 Email: cnjwge@tevm2.nsc.com
 Deutsch Tel: (+49) 0-180-530 85 85
 English Tel: (+49) 0-180-532 78 32
 Français Tel: (+49) 0-180-532 93 58
 Italiano Tel: (+49) 0-180-534 16 80

National Semiconductor Hong Kong Ltd.
 19th Floor, Straight Block,
 Ocean Centre, 5 Canton Rd.
 Tsimshatsui, Kowloon
 Hong Kong
 Tel: (852) 2737-1600
 Fax: (852) 2736-9960

National Semiconductor Japan Ltd.
 Tel: 81-043-299-2309
 Fax: 81-043-299-2408

National does not assume any responsibility for use of any circuitry described, no circuit patent licenses are implied and National reserves the right at any time without notice to change said circuitry and specifications.

IMPORTANT NOTICE

Texas Instruments Incorporated and its subsidiaries (TI) reserve the right to make corrections, modifications, enhancements, improvements, and other changes to its products and services at any time and to discontinue any product or service without notice. Customers should obtain the latest relevant information before placing orders and should verify that such information is current and complete. All products are sold subject to TI's terms and conditions of sale supplied at the time of order acknowledgment.

TI warrants performance of its hardware products to the specifications applicable at the time of sale in accordance with TI's standard warranty. Testing and other quality control techniques are used to the extent TI deems necessary to support this warranty. Except where mandated by government requirements, testing of all parameters of each product is not necessarily performed.

TI assumes no liability for applications assistance or customer product design. Customers are responsible for their products and applications using TI components. To minimize the risks associated with customer products and applications, customers should provide adequate design and operating safeguards.

TI does not warrant or represent that any license, either express or implied, is granted under any TI patent right, copyright, mask work right, or other TI intellectual property right relating to any combination, machine, or process in which TI products or services are used. Information published by TI regarding third-party products or services does not constitute a license from TI to use such products or services or a warranty or endorsement thereof. Use of such information may require a license from a third party under the patents or other intellectual property of the third party, or a license from TI under the patents or other intellectual property of TI.

Reproduction of TI information in TI data books or data sheets is permissible only if reproduction is without alteration and is accompanied by all associated warranties, conditions, limitations, and notices. Reproduction of this information with alteration is an unfair and deceptive business practice. TI is not responsible or liable for such altered documentation. Information of third parties may be subject to additional restrictions.

Resale of TI products or services with statements different from or beyond the parameters stated by TI for that product or service voids all express and any implied warranties for the associated TI product or service and is an unfair and deceptive business practice. TI is not responsible or liable for any such statements.

TI products are not authorized for use in safety-critical applications (such as life support) where a failure of the TI product would reasonably be expected to cause severe personal injury or death, unless officers of the parties have executed an agreement specifically governing such use. Buyers represent that they have all necessary expertise in the safety and regulatory ramifications of their applications, and acknowledge and agree that they are solely responsible for all legal, regulatory and safety-related requirements concerning their products and any use of TI products in such safety-critical applications, notwithstanding any applications-related information or support that may be provided by TI. Further, Buyers must fully indemnify TI and its representatives against any damages arising out of the use of TI products in such safety-critical applications.

TI products are neither designed nor intended for use in military/aerospace applications or environments unless the TI products are specifically designated by TI as military-grade or "enhanced plastic." Only products designated by TI as military-grade meet military specifications. Buyers acknowledge and agree that any such use of TI products which TI has not designated as military-grade is solely at the Buyer's risk, and that they are solely responsible for compliance with all legal and regulatory requirements in connection with such use.

TI products are neither designed nor intended for use in automotive applications or environments unless the specific TI products are designated by TI as compliant with ISO/TS 16949 requirements. Buyers acknowledge and agree that, if they use any non-designated products in automotive applications, TI will not be responsible for any failure to meet such requirements.

Following are URLs where you can obtain information on other Texas Instruments products and application solutions:

Products

Audio	www.ti.com/audio
Amplifiers	amplifier.ti.com
Data Converters	dataconverter.ti.com
DLP® Products	www.dlp.com
DSP	dsp.ti.com
Clocks and Timers	www.ti.com/clocks
Interface	interface.ti.com
Logic	logic.ti.com
Power Mgmt	power.ti.com
Microcontrollers	microcontroller.ti.com
RFID	www.ti-rfid.com
OMAP Mobile Processors	www.ti.com/omap
Wireless Connectivity	www.ti.com/wirelessconnectivity

Applications

Communications and Telecom	www.ti.com/communications
Computers and Peripherals	www.ti.com/computers
Consumer Electronics	www.ti.com/consumer-apps
Energy and Lighting	www.ti.com/energy
Industrial	www.ti.com/industrial
Medical	www.ti.com/medical
Security	www.ti.com/security
Space, Avionics and Defense	www.ti.com/space-avionics-defense
Transportation and Automotive	www.ti.com/automotive
Video and Imaging	www.ti.com/video

TI E2E Community Home Page

e2e.ti.com

Mailing Address: Texas Instruments, Post Office Box 655303, Dallas, Texas 75265
Copyright © 2011, Texas Instruments Incorporated