

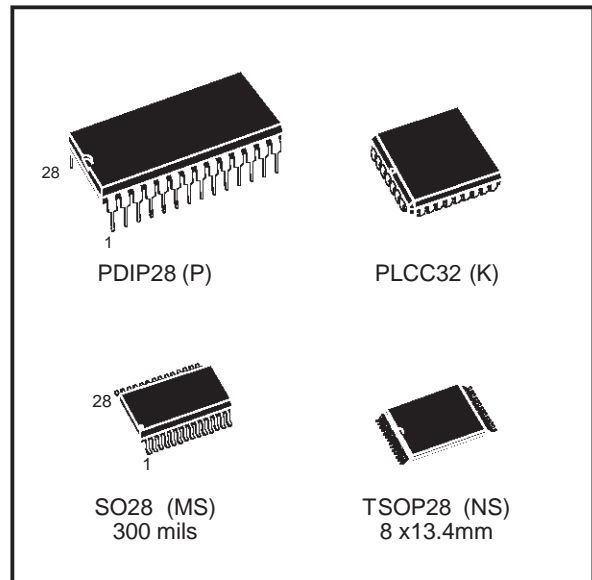


# M28C16A M28C17A

## 16 Kbit (2Kb x8) Parallel EEPROM

### DATA BRIEFING

- **FAST ACCESS TIME:**
  - 150ns at 5V
  - 250ns at 3V
- **SINGLE SUPPLY VOLTAGE:**
  - 5V ± 10% for M28C16A and M28C17A
  - 2.7V to 3.6V for M28C16-xxW
- **LOW POWER CONSUMPTION**
- **FAST WRITE CYCLE**
  - 32 Bytes Page Write Operation
  - Byte or Page Write Cycle: 5ms
- **ENHANCED END OF WRITE DETECTION**
  - Ready/Busy Open Drain Output
  - Data Polling
  - Toggle Bit
- **PAGE LOAD TIMER STATUS BIT**
- **HIGH RELIABILITY SINGLE POLYSILICON, CMOS TECHNOLOGY**
  - Endurance >100,000 Erase/Write Cycles
  - Data Retention >40 Years
- **JEDEC APPROVED BYTEWISE PIN OUT**



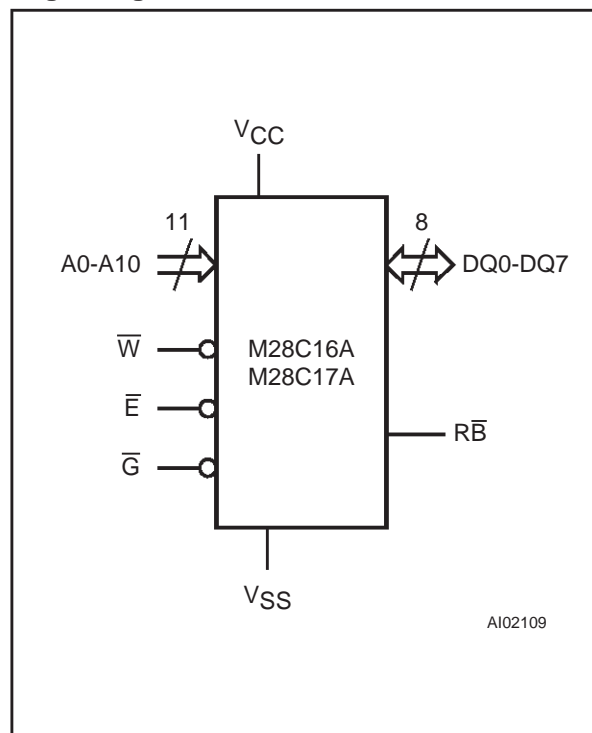
### DESCRIPTION

The M28C16A and M28C17A are 2K x 8 low power Parallel EEPROM fabricated with STMicroelectronics proprietary single polysilicon CMOS technology. The device offers fast access time with low power dissipation and requires a 5V or 3V power supply.

### Signal Names

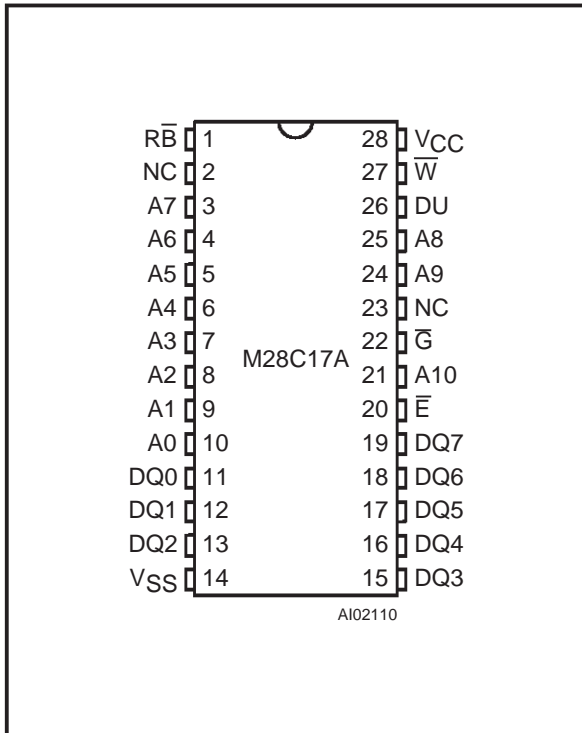
A0-A10	Address Input
DQ0-DQ7	Data Input / Output
$\overline{W}$	Write Enable
$\overline{E}$	Chip Enable
$\overline{G}$	Output Enable
$\overline{RB}$	Ready / Busy
V <sub>CC</sub>	Supply Voltage
V <sub>SS</sub>	Ground

### Logic Diagram



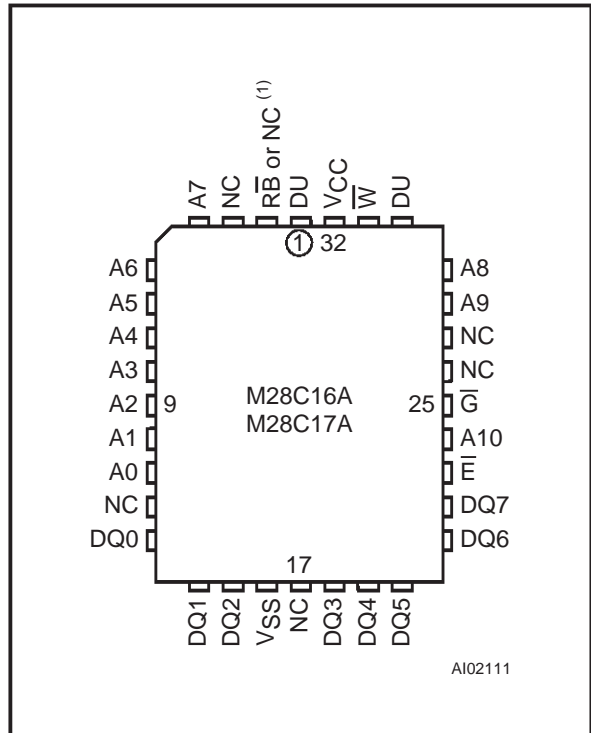
# M28C16A, M28C17A

**Figure 2A. DIP Pin Connections**



**Warning:** NC = Not Connected, DU = Don't Use.

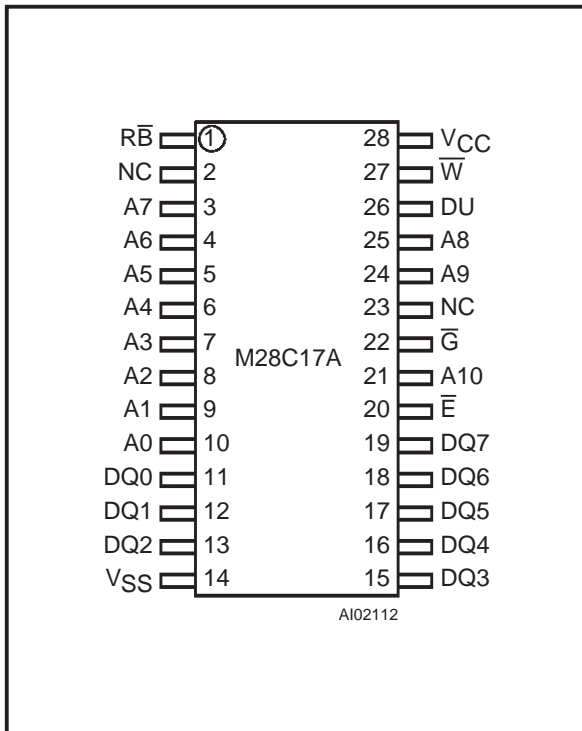
**Figure 2B. LCC Pin Connections**



**Warning:** NC = Not Connected, DU = Don't Use.

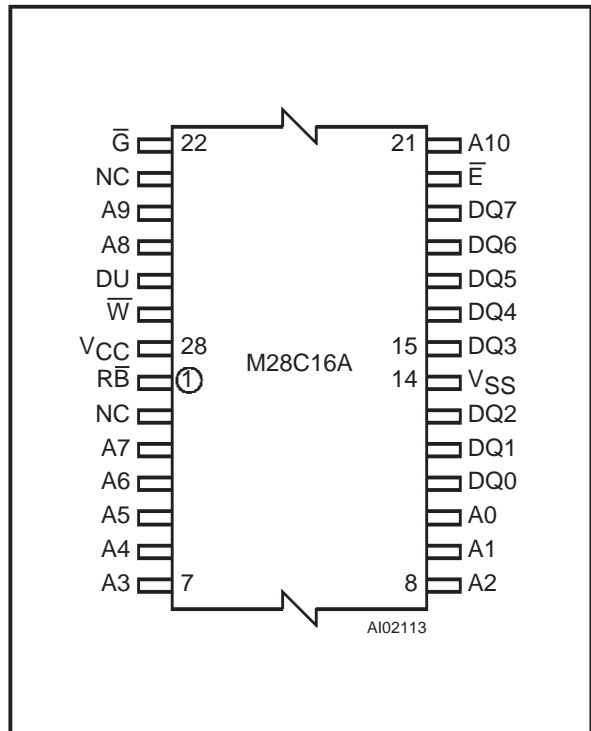
**Note:** 1. Pin 2 is either RB for M28C17A or NC for M28C16A.

**Figure 2C. SO Pin Connections**



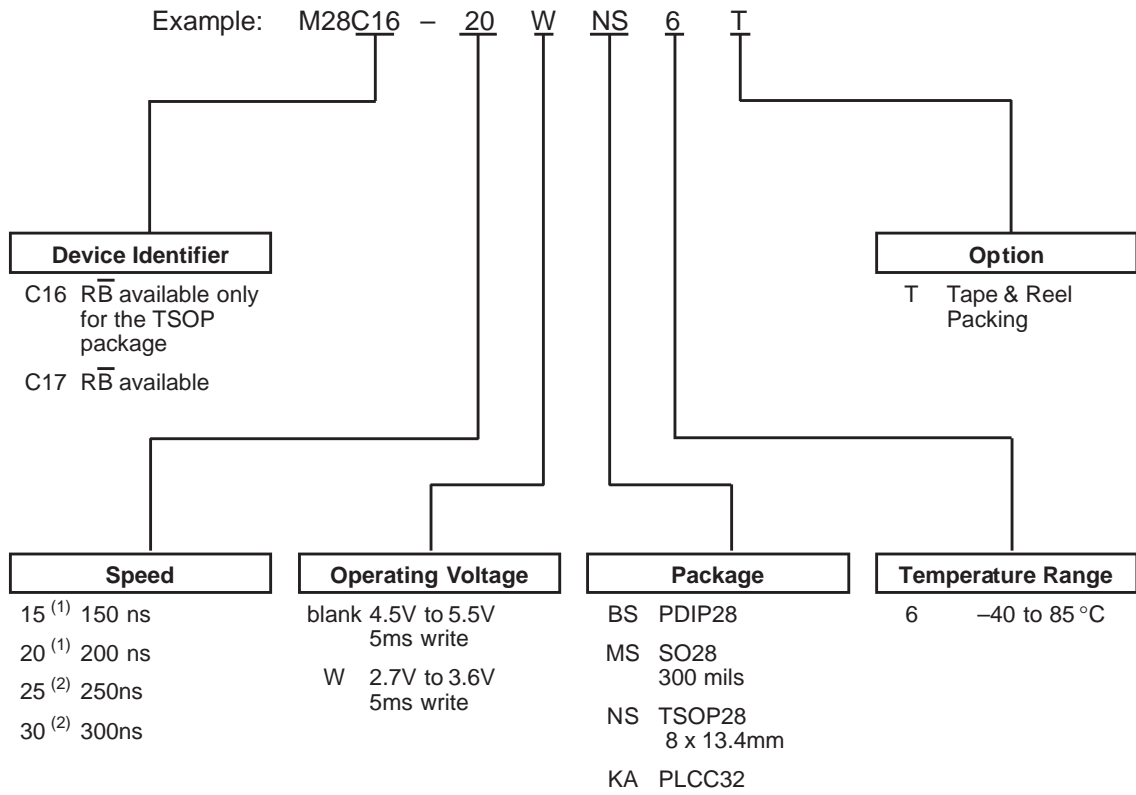
**Warning:** NC = Not Connected, DU = Don't Use.

**Figure 2D. TSOP Pin Connections**



**Warning:** NC = Not Connected, DU = Don't Use.

ORDERING INFORMATION SCHEME



Notes: 1. Available for M28C16A and M28C17A only.  
2. Available for "W" Operating Voltage only.

Devices are shipped from the factory with the memory content set at all "1's" (FFh).

For a list of available options (Speed, Package, etc...) or for further information on any aspect of this device, please contact the STMicroelectronics Sales Office nearest to you.