



M29F160BT M29F160BB

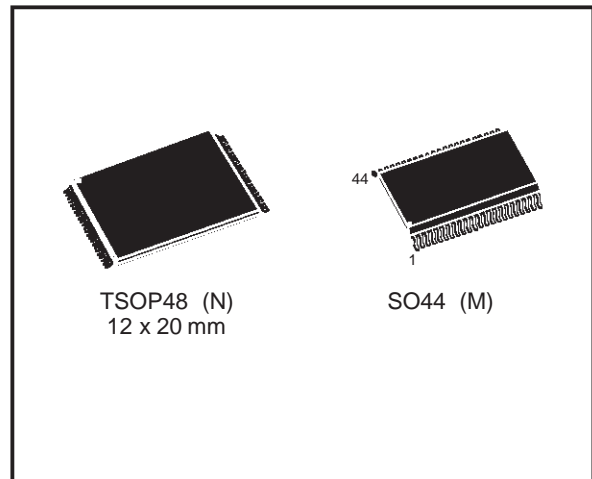
16 Mbit (2Mb x8 or 1Mb x16, Boot Block) Single Supply Flash Memory

DATA BRIEFING

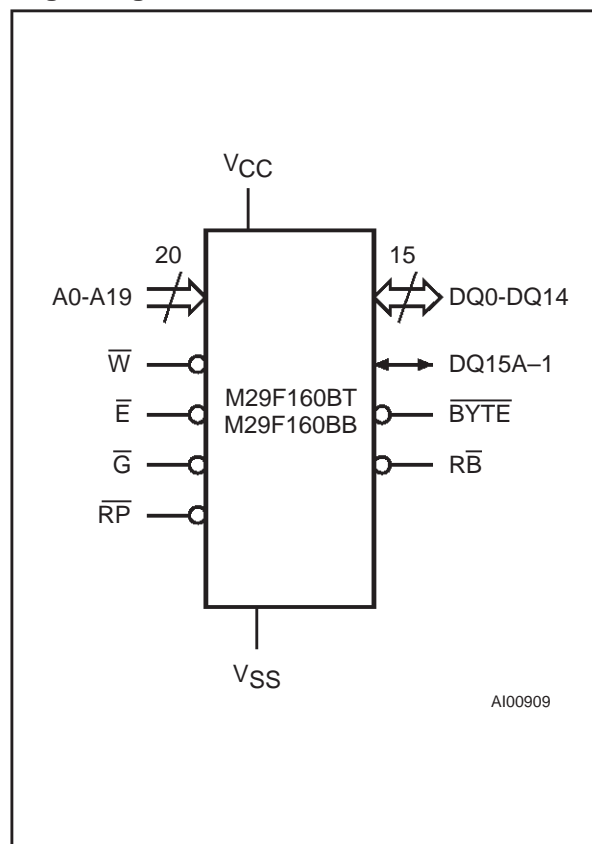
- 5V±10% SUPPLY VOLTAGE for PROGRAM, ERASE and READ OPERATIONS
- FAST ACCESS TIME: 55ns
- FAST PROGRAMMING TIME
 - 10µs by Byte/Word typical
- PROGRAM/ERASE CONTROLLER (P/E.C.)
 - Program Byte-by-Byte or Word-by-Word
 - Status Register bits and Ready/Busy Output
- CFI COMPLIANT
- MEMORY BLOCKS
 - Boot Block (Top or Bottom location)
 - Parameter and Main blocks
- BLOCK, MULTI-BLOCK and CHIP ERASE
- MULTI-BLOCK PROTECTION/TEMPORARY UNPROTECTION MODES
- BLOCK PROTECTION ACCESS COMMAND
- ERASE SUSPEND and RESUME MODES
 - Read and Program another Block during Erase Suspend
- BYPASS MODE
 - Faster Programming Sequences
- LOW POWER CONSUMPTION
 - Stand-by and Automatic Stand-by
- 100,000 PROGRAM/ERASE CYCLES per BLOCK
- 20 YEARS DATA RETENTION
 - Defectivity below 1 ppm/year
- ELECTRONIC SIGNATURE
 - Manufacturer Code: 0020h
 - Device Code, M29F160BT: 22CCh
 - Device Code, M29F160BB: 224Bh

DESCRIPTION

The M29F160B is a non-volatile memory that may be erased electrically at the block or chip level and programmed in-system on a Byte-by-Byte or Word-by-Word basis using only a single 5V V_{CC} supply. For Program and Erase operations the necessary high voltages are generated internally. The device can also be programmed in standard programmers.

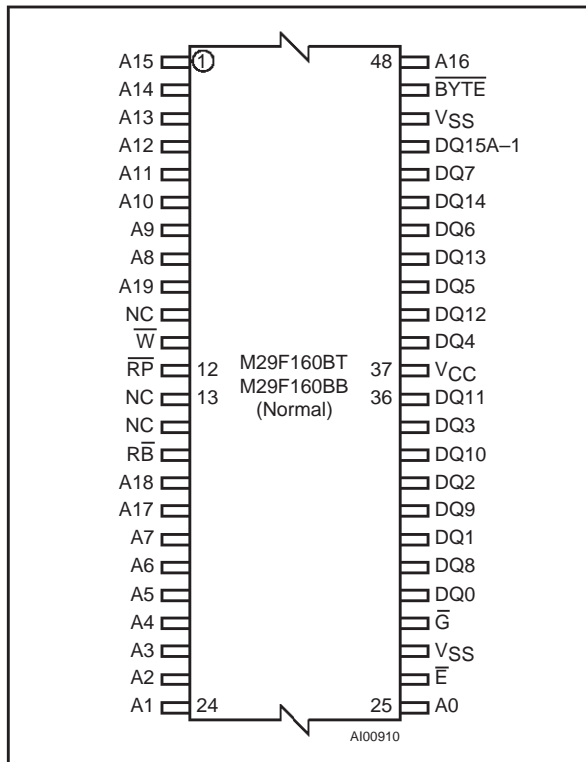


Logic Diagram



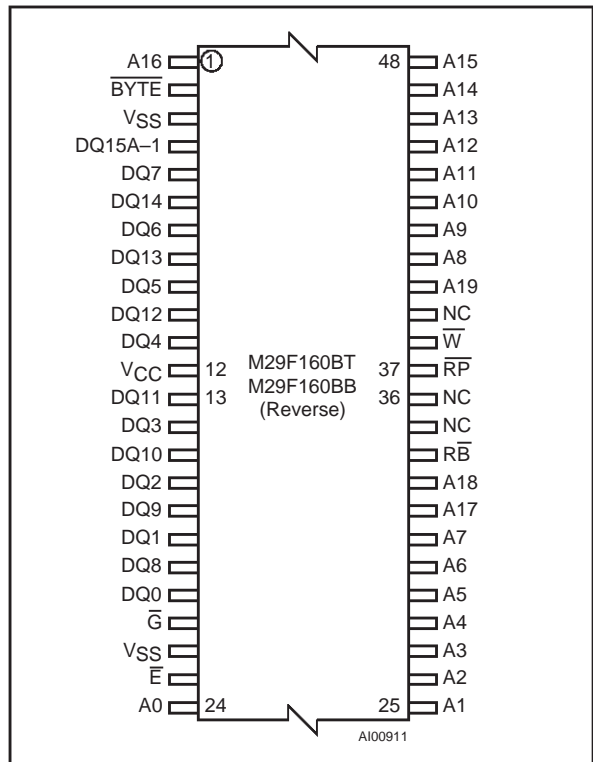
M29F160BT, M29F160BB

TSOP Pin Connections



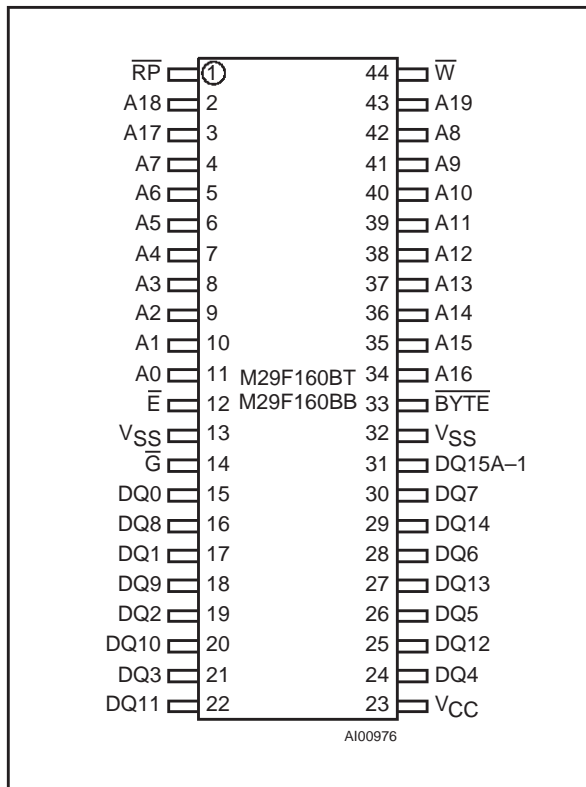
Warning: NC = Not Connected.

TSOP Reverse Pin Connections



Warning: NC = Not Connected.

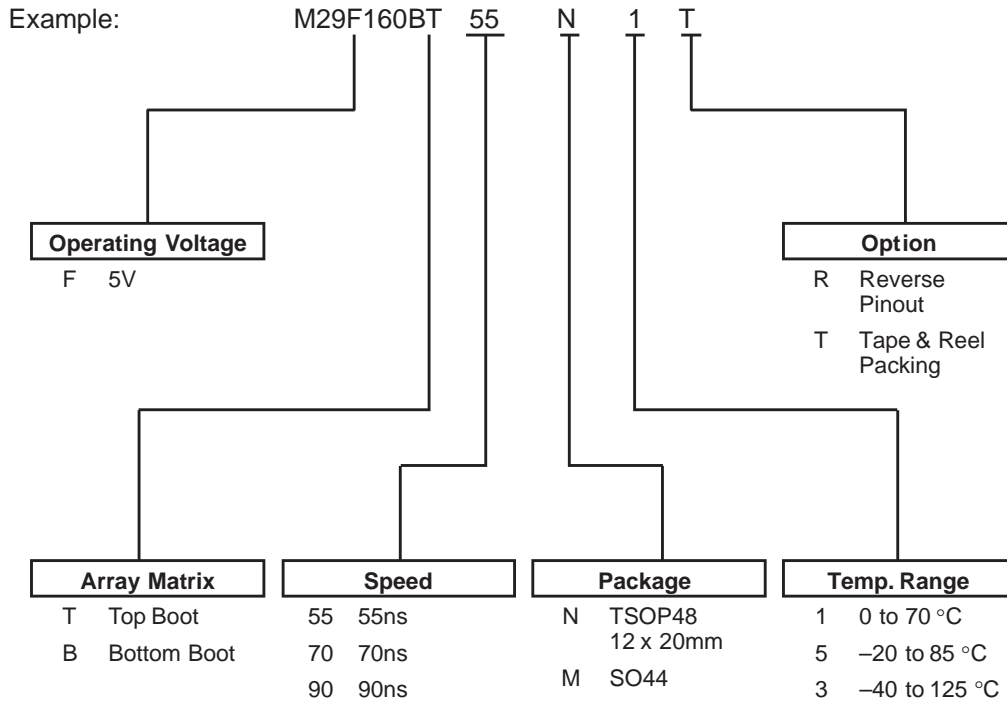
SO Pin Connections



Signal Names

| | |
|----------|------------------------------------|
| A0-A19 | Address Inputs |
| DQ0-DQ7 | Data Input/Outputs, Command Inputs |
| DQ8-DQ14 | Data Input/Outputs |
| DQ15A-1 | Data Input/Output or Address Input |
| E-bar | Chip Enable |
| G-bar | Output Enable |
| W-bar | Write Enable |
| RP-bar | Reset / Block Temporary Unprotect |
| RB-bar | Ready/Busy Output |
| BYTE-bar | Byte/Word Organisation |
| Vcc | Supply Voltage |
| Vss | Ground |

ORDERING INFORMATION SCHEME



Devices are shipped from the factory with the memory content erased (to FFFFh).

For a list of available options (Speed, Package, etc...) or for further information on any aspect of this device, please contact the STMicroelectronics Sales Office nearest to you.