

OCTAL BUS TRANSCEIVER

HC620 3-STATE INVERTING HC623 3-STATE, NON INVERTING

- **HIGH SPEED**
 $t_{PD} = 10 \text{ ns}$ [620], $t_{PD} = 8 \text{ ns}$ [623]
 (TYP) at $V_{CC} = 5V$
- **LOW POWER DISSIPATION**
 $I_{CC} = 4 \mu A$ (MAX.) at $T_A = 25^\circ C$
- **HIGH NOISE IMMUNITY**
 $V_{NIH} = V_{NIL} = 28\% V_{CC}$ (MIN.)
- **OUTPUT DRIVE CAPABILITY**
 15 LSTTL LOADS
- **SYMMETRICAL OUTPUT IMPEDANCE**
 $|I_{OH}| = |I_{OL}| = 6 \text{ mA}$ (MIN.)
- **BALANCED PROPAGATION DELAYS**
 $t_{PLH} = t_{PHL}$
- **WIDE OPERATING VOLTAGE RANGE**
 V_{CC} (OPR) = 2V to 6V
- **PIN AND FUNCTION COMPATIBLE**
 WITH LS620/623

DESCRIPTION

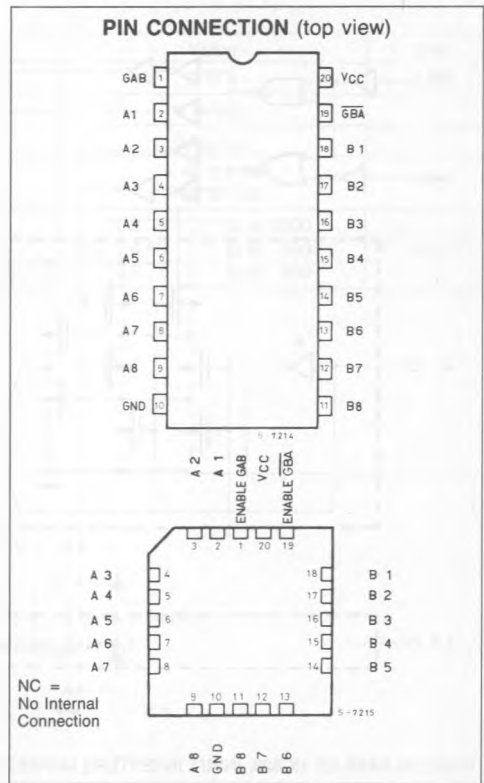
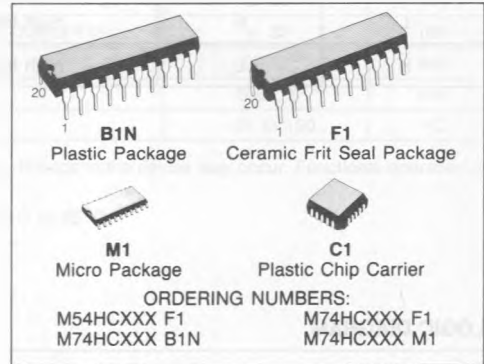
The M54/74HC620/623 are high speed CMOS OCTAL BUS TRANSCEIVERS fabricated in silicon gate C²MOS technology. They have the same high speed performance of LSTTL combined with true CMOS low power consumption.

These octal bus transceivers are designed for asynchronous two-way communication between data buses. The control function implementation allows maximum flexibility in timing.

These devices allow data transmission from the A bus to the B bus or from the B bus to the A bus depending upon the logic levels at the enable inputs (GBA and GAB). The enable inputs can be used to disable the device so that the buses are effectively isolated.

The dual-enable configuration gives these devices the capability to store data by simultaneous enabling of GBA and GAB).

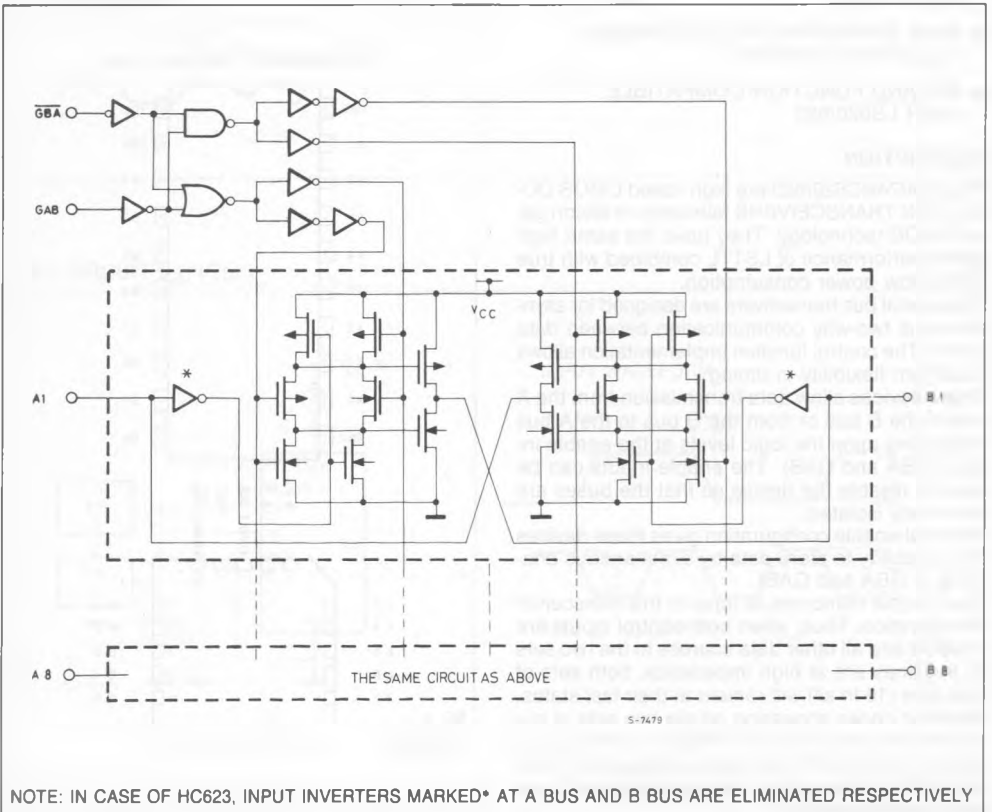
Each output reinforces its input in this transceiver configuration. Thus, when both control inputs are enabled and all other data sources to the two sets of bus lines are at high impedance, both sets of bus lines (16 in all) will remain at their last states. The 8-bit codes appearing on the two sets of buses will be identical for the 'HC623 or complementary for the 'HC620. All inputs are equipped with protection circuits against static discharge and transient excess voltage.



TRUTH TABLE

INPUTS		FUNCTION		OUTPUTS	
GAB	\overline{GAB}	A Bus	B Bus	HC620	HC623
L	L	Output	Input	$A = \overline{B}$	A = B
H	H	Input	Output	$B = \overline{A}$	B = A
L	H	High Impedance		Z	Z
H	L	High Impedance		Z	Z

LOGIC DIAGRAM



NOTE: IN CASE OF HC623, INPUT INVERTERS MARKED* AT A BUS AND B BUS ARE ELIMINATED RESPECTIVELY

ABSOLUTE MAXIMUM RATINGS

Symbol	Parameter	Value	Unit
V_{CC}	Supply Voltage	- 0.5 to 7	V
V_I	DC Input Voltage	- 0.5 to $V_{CC} + 0.5$	V
V_O	DC Output Voltage	- 0.5 to $V_{CC} + 0.5$	V
I_{IK}	DC Input Diode Current	± 20	mA
I_{OK}	DC Output Diode Current	± 20	mA
I_O	DC Output Source Sink Current Per Output Pin	± 35	mA
I_{CC} or I_{GND}	DC V_{CC} or Ground Current	± 70	mA
P_D	Power Dissipation	500 (*)	mW
T_{stg}	Storage Temperature	- 65 to 150	$^{\circ}C$

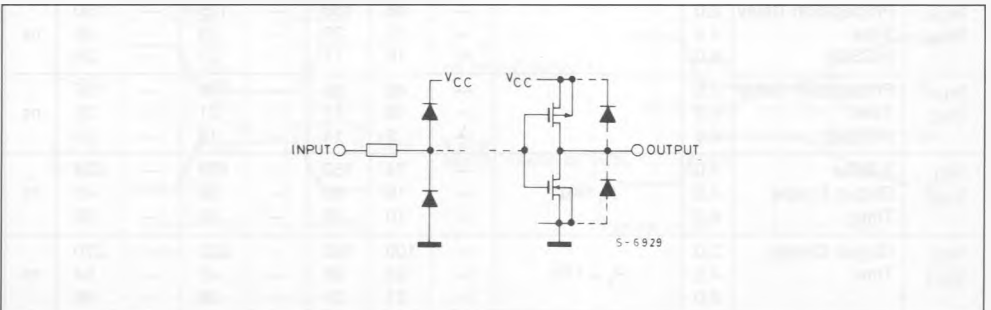
Absolute Maximum Ratings are those values beyond which damage to the device may occur. Functional operation under these condition is not implied.

(*) 500 mW: \cong 65 $^{\circ}C$ derate to 300 mW by 10 mW/ $^{\circ}C$: 65 $^{\circ}C$ to 85 $^{\circ}C$

RECOMMENDED OPERATING CONDITIONS

Symbol	Parameter	Value	Unit
V_{CC}	Supply Voltage	2 to 6	V
V_I	Input Voltage	0 to V_{CC}	V
V_O	Output Voltage	0 to V_{CC}	V
T_A	Operating Temperature 74HC Series 54HC Series	- 40 to 85 - 55 to 125	$^{\circ}C$
t_r, t_f	Input Rise and Fall Time	$V_{CC} \begin{cases} 2 \text{ V} & 0 \text{ to } 1000 \\ 4.5 \text{ V} & 0 \text{ to } 500 \\ 6 \text{ V} & 0 \text{ to } 400 \end{cases}$	ns

INPUT AND OUTPUT EQUIVALENT CIRCUIT



DC ELECTRICAL CHARACTERISTICS

Symbol	Parameter	V _{CC}	Test Condition	T _A = 25°C 54HC and 74HC			- 40 to 85°C 74HC		- 55 to 125°C 54HC		Unit	
				Min.	Typ.	Max.	Min.	Max.	Min.	Max.		
V _{IH}	High Level Input Voltage	2.0		1.5	—	—	1.5	—	1.5	—	V	
		4.5		3.15	—	—	3.15	—	3.15	—		
		6.0		4.2	—	—	4.2	—	4.2	—		
V _{IL}	Low Level Input Voltage	2.0		—	—	0.5	—	0.5	—	0.5	V	
		4.5		—	—	1.35	—	1.35	—	1.35		
		6.0		—	—	1.8	—	1.8	—	1.8		
V _{OH}	High Level Output Voltage	2.0	V _I	I _O	1.9	2.0	—	1.9	—	1.9	—	V
		4.5	V _{IH} or V _{IL}	-20 μA	4.4	4.5	—	4.4	—	4.4	—	
		6.0			5.9	6.0	—	5.9	—	5.9	—	
		4.5	-4.0 mA -5.2 mA	4.18	4.31	—	4.13	—	4.10	—	—	
6.0	5.68	5.8		—	5.63	—	5.60	—				
V _{OL}	Low Level Output Voltage	2.0	V _{IH} or V _{IL}	20 μA	—	0.0	0.1	—	0.1	—	0.1	V
		4.5			—	0.0	0.1	—	0.1	—	0.1	
		6.0			—	0.0	0.1	—	0.1	—	0.1	
		4.5			4.0 mA 5.2 mA	—	0.17	0.26	—	0.33	—	
6.0	—	0.18	0.26	—		0.33	—	0.40				
I _I	Input Leakage Current	6.0	V _I = V _{CC} or GND		—	—	±0.1	—	±1.0	—	±1.0	μA
I _{OZ}	3-State Output Off-State Current	6.0	V _I = V _{IH} or V _{IL} V _O = V _{CC} or GND		—	—	±0.5	—	±5.0	—	±10	μA
I _{CC}	Quiescent Supply Current	6.0	V _I = V _{CC} or GND I _O = 0		—	—	4	—	40	—	80	μA

AC ELECTRICAL CHARACTERISTICS (C_L = 50pF, Input t_r = t_f = 6ns)

Symbol	Parameter	V _{CC}	Test Condition	T _A = 25°C 54HC and 74HC			- 40 to 85°C 74HC		- 55 to 125°C 54HC		Unit
				Min.	Typ.	Max.	Min.	Max.	Min.	Max.	
t _{TLH} t _{THL}	Output Transition Time	2.0		—	25	60	—	75	—	90	ns
		4.5		—	7	12	—	13	—	15	
		6.0		—	6	10	—	13	—	15	
t _{PLH} t _{PHL}	Propagation Delay Time (HC620)	2.0		—	48	100	—	125	—	150	ns
		4.5		—	12	20	—	25	—	30	
		6.0		—	10	17	—	21	—	26	
t _{PLH} t _{PHL}	Propagation Delay Time (HC623)	2.0		—	40	85	—	105	—	130	ns
		4.5		—	10	17	—	21	—	26	
		6.0		—	9	14	—	18	—	22	
t _{pZL} t _{pHZ}	3 State Output Enable Time	2.0	R _L 1KΩ	—	74	150	—	190	—	225	ns
		4.5		—	19	30	—	38	—	45	
		6.0		—	10	26	—	33	—	38	
t _{pZL} t _{pZH}	Output Disable Time	2.0	R _L = 1KΩ	—	100	180	—	225	—	270	ns
		4.5		—	25	36	—	45	—	54	
		6.0		—	21	31	—	38	—	46	

AC ELECTRICAL CHARACTERISTICS (Continued)

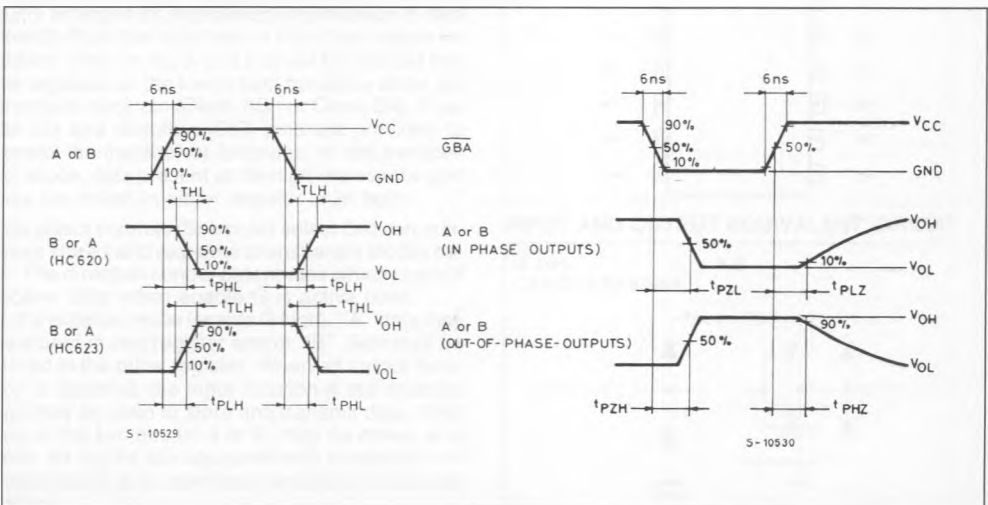
Symbol	Parameter	V _{CC}	Test Condition	T _A = 25°C 54HC and 74HC			-40 to 85°C 74HC		-55 to 125°C 54HC		Unit
				Min.	Typ.	Max.	Min.	Max.	Min.	Max.	
				C _{IN}	Input Capacitance			—	5	10	
C _{I/O}	Bus Terminal Input capacitance		An, Bn	—	13	—	—	—	—	—	pF
C _{OUT}	Output Capacitance			—	10	—	—	—	—	—	pF
C _{PD} (*)	Power Dissipation Capacitance		HC620 HC623	—	—	40	—	—			pF

Note (*) C_{PD} is defined as the value of the IC's internal equivalent capacitance which is calculated from the operating current consumption without load.

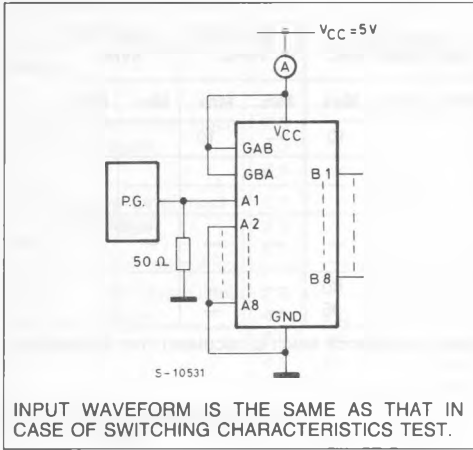
Average operating current is:

$$I_{CC(oper)} = C_{PD} \cdot V_{CC} \cdot f_{IN} + I_{CC}$$

SWITCHING CHARACTERISTICS TEST WAVEFORM



TEST CIRCUIT I_{CC} (Opr.)



C_{PD} CALCULATION

C_{PD} is to be calculated with the following formula by using the measured value of I_{CC} (Opr.) in the test circuit opposite.

$$C_{PD} = \frac{I_{CC} \text{ (Opr.)}}{f_{IN} \cdot V_{CC}}$$

In determining the typical value of C_{PD} , a relatively high frequency of 1MHz was applied to f_{IN} , in order to eliminate any error caused by the quiescent supply current.