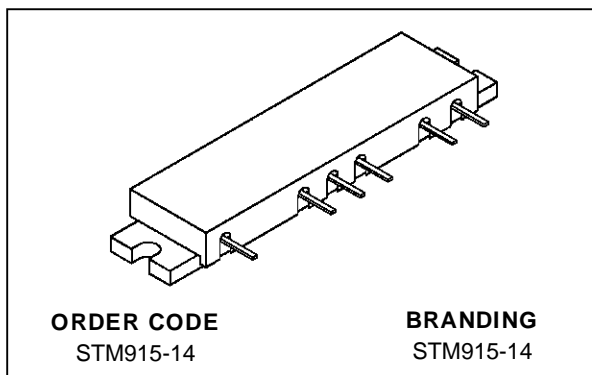


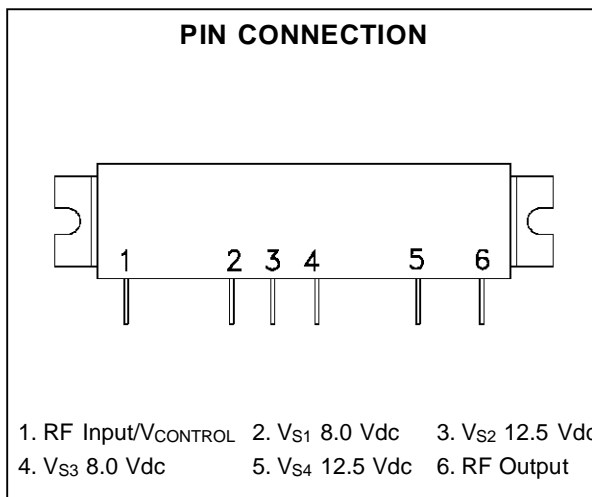
RF POWER MODULE GSM MOBILE APPLICATIONS

- LINEAR POWER AMPLIFIER
- 890 - 915 MHz
- 12.5 VOLTS
- INPUT/OUTPUT 50 OHMS
- $P_{OUT} = 14$ W MIN.
- GAIN = 41.5 dB MIN.



DESCRIPTION

The STM915-14 is a linear power module designed for 12.5 V applications in GSM Cellular Radio Systems. The STM915-14 uses gold metallized transistors with diffused emitter ballast resistors for high linearity Class AB operation.



ABSOLUTE MAXIMUM RATINGS ($T_{case} = 25^{\circ}C$)

Symbol	Parameter	Value	Unit
V_{S2}, V_{S4}	DC Supply Voltage (RF applied/No RF applied)	15.6/30.0	Vdc
V_{S1}, V_{S3}	DC Supply Voltage	8.5	Vdc
$V_{CONTROL}$	DC Control Voltage	4.5	Vdc
P_{IN}	RF Input Power ($P_{OUT} \leq 15W$)	3.0	mW
P_{OUT}^1	RF Output Power ($V_{S2}, V_{S4} = 12.5V$)	20	W
T_{STG}	Storage Temperature	- 30 to +100	$^{\circ}C$
T_C	Operating Case Temperature	- 30 to +100	$^{\circ}C$

Note: 1) Pulse Width = 577 μ sec.
Repetition rate = 4.6 msec.

ELECTRICAL SPECIFICATIONS ($T_{case} = 25^{\circ}C$, $V_{S1}, V_{S3} = 8.0$ Vdc; $V_{S2}, V_{S4} = 12.5$ Vdc)

Symbol	Parameter	Test Conditions	Value			Unit
			Min.	Typ.	Max.	
BW	Frequency Range		890	—	915	MHz
P _{OUT}	Output Power ^{1,2}	V _{CONT} = 4.0 Vdc P _{IN} = 0 dBm	41.5	—	—	dBm
η	Efficiency ^{1, 2}	P _{OUT} = +41.5 dBm	35	40	—	%
I _{Q1}	Leakage Current, V _{S1} , V _{S2}	V _{CONT} = 0 Vdc P _{IN} = 1 mW	—	0.5	2.0	mA
I _{Q2}	Bias Current, V _{S3}	V _{CONT} = 0 Vdc P _{IN} = 1 mW	—	140	150	mA
I _{Q3}	Quiescent Current, V _{S4}	V _{CONT} = 0 Vdc P _{IN} = 1 mW	—	200	250	mA
—	Control Dynamic Range ³	V _{CONT} = 0 to 4.0V	56	—	—	dB
—	Isolation	V _{CONT} = 0 Vdc V _{S2, S4} = 0 to 15.6V	—	—	-14	dBm
H	Harmonics ^{1, 2}	P _{OUT} = +41.5 dBm reference	—	—	-45	dBc
VSWR _{IN}	Input VSWR ^{1,2}	P _{OUT} = +13 dBm to +41.5 dBm	—	—	2.0:1	—
V _{CONT}	Control Voltage		0	—	4.0	Vdc
I _{CONT}	Control Current		—	1.0	2.0	mA
T _r	Rise Time ^{1, 2, 4}	P _{OUT} = +13 to +41.5 dBm	—	—	1.0	μSec
—	Noise Power	30 KHz Bandwidth, 20 MHz above f ₀ P _{OUT} = +13 dBm to +41.5 dBm CW	—	-70	-65	dBm
—	Stability ^{1, 2}	P _{OUT} = - 14 to +41.5 dBm V _{S2} , V _{S4} = 10.8 to 15.6 V Load VSWR = 6:1 Source VSWR = 3:1 All phase angles T _C = - 20 to +60°C	All Spurious outputs more than 60dB below carrier			
—	Load Mismatch ^{1,2}	VSWR = 10:1 All phase angles V = 15.6Vdc P _{OUT} = +41.5 dBm	No Degradation in Output Power			

Notes: 1) P_{IN} = 1.0mW adjust V_{CONTROL} for specified P_{OUT}.3) P_{OUT} (Reference) = 42 dBm

2) Pulse Width = 577 μsec.

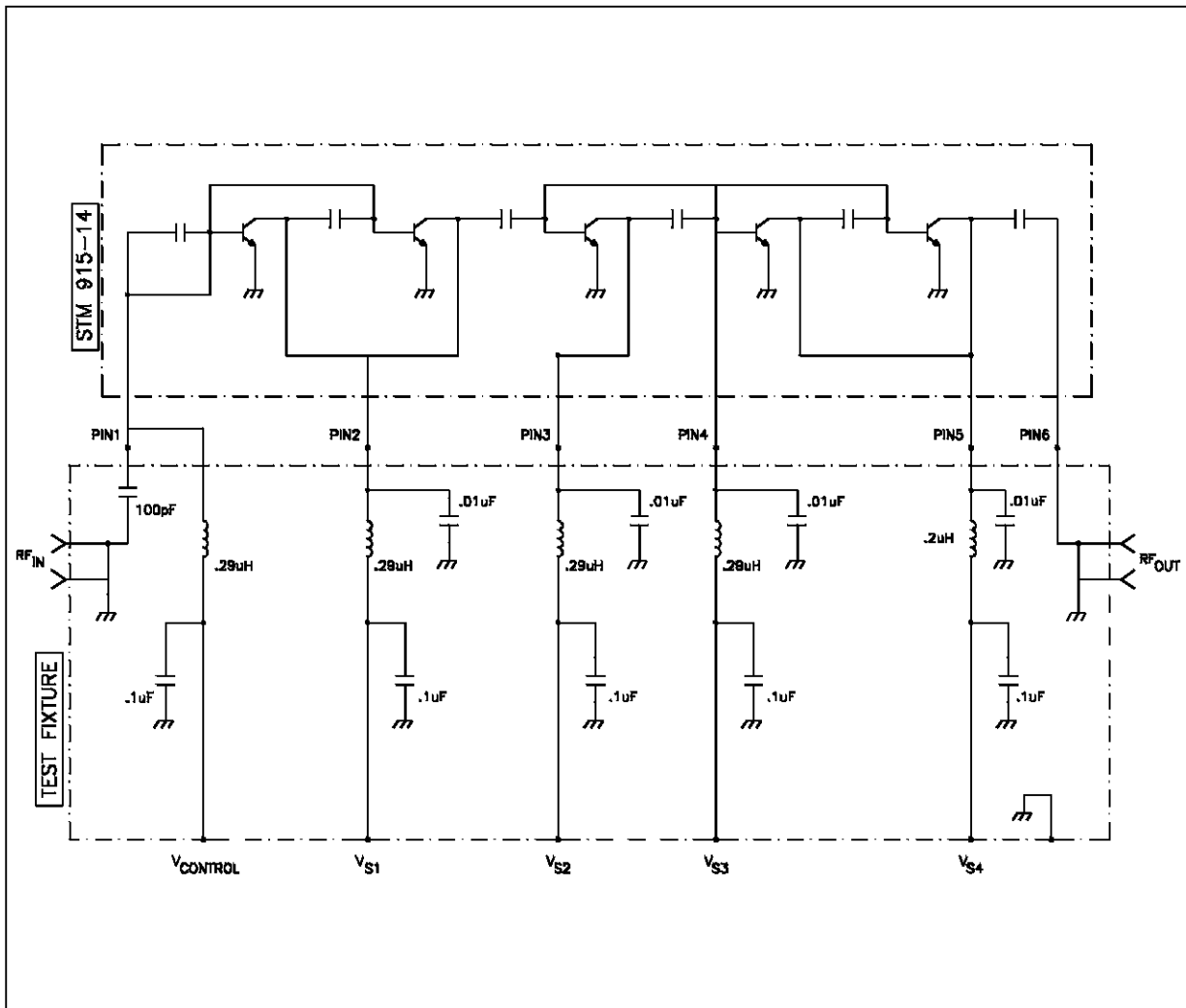
4) T_r measured at 1% to 81% of P_{OUT} in watts

Repetition rate = 4.6 msec.

GSM SPECIFIC TESTS

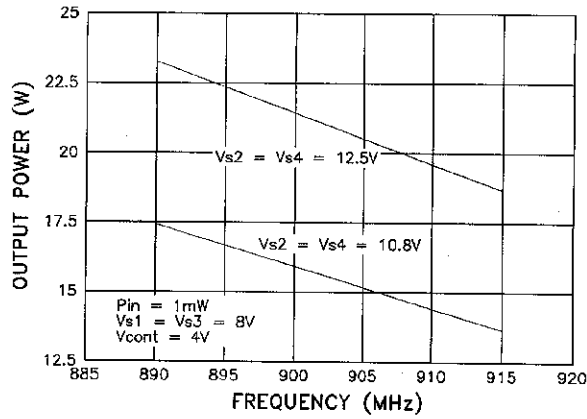
Symbol	Parameter	Test Conditions	Value			Unit
			Min.	Typ.	Max.	
—	AM/AM Conversion Gain	P _{IN} = f ₀ (0 dBm)+[f ₀ + 200 kHz (- 40 dBm)] V _{CONTROL} adjusted for P _{OUT} = 13, 30, 41.5 dBm P _{OUT} (f ₀ + 200 kHz) P _{OUT} (f ₀ - 200 kHz)	—	- 40 - 45	—	dBc dBc
—	AM/PM Conversion	P _{OUT} = +13 to + 41.5 dBm P _{IN} varied +/- .5 dB	—	4	—	°/dB

MODULE DC AND TEST FIXTURE CONFIGURATION

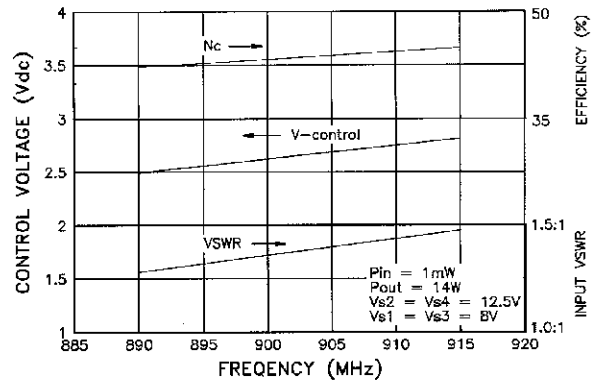


TYPICAL PERFORMANCE

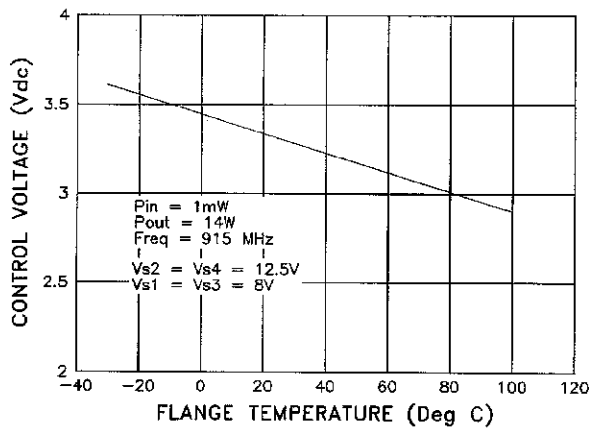
POWER OUTPUT vs FREQUENCY



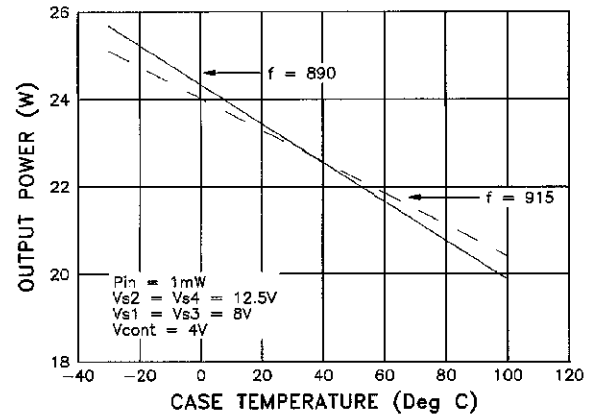
CONTROL VOLTAGE, EFFICIENCY & INPUT VSWR vs FREQUENCY



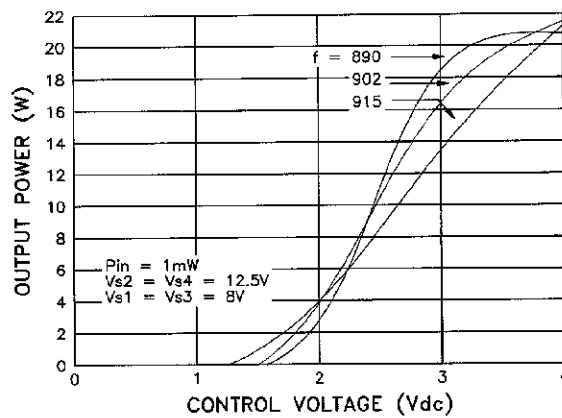
CONTROL VOLTAGE vs CASE TEMPERATURE



POWER OUTPUT vs CASE TEMPERATURE



POWER OUTPUT vs CONTROL VOLTAGE



APPLICATIONS RECOMMENDATIONS

OPERATION LIMITS

The STM915-14 power module should never be operated under any condition which exceeds the Absolute Maximum Ratings presented on this data sheet. Nor should the module be operated continuously at any of the specified maximum ratings. If the module is to be operated under any condition such that it may be subjected to one or more of the maximum rating conditions, care must be taken to monitor other parameters which may be affected. For example, a combination of high V_{S3} and input overdrive could result in exceeding the maximum output power rating; in this condition, the output power must be maintained below the maximum rating by use of the gain control pin.

GAIN CONTROL

The module output power should be limited to 20 watts (43 dBm). The module is designed to be operated with V_{S1} and V_{S3} set to 8.0 Vdc, V_{S2} and V_{S4} set to 12.5 Vdc and input power set to 1.0 mW (0 dBm). Module gain is adjusted by varying $V_{CONTROL}$.

DECOUPLING

The bypassing internal to the module is sufficient for the frequency range 90-1300 MHz. Care should be taken to insure proper decoupling for each application as the module is capable of a wide range of operating characteristics including "linear" operation, in which an important design criteria is the use of appropriate bypassing. For bypassing low frequencies while maintaining the electrical specifications contained in this data sheet, use of the decoupling network shown in the "Module DC and Test Fixture Configuration" diagram herein is recommended.

MODULE MOUNTING

To insure adequate thermal transfer from the module to the heatsink, it is recommended that a satisfactory thermal compound such as Dow Corning 340, Wakefield 120-2 or equivalent be applied between the module flange and the heatsink.

The heatsink mounting surface under the module should be flat to within ± 0.05 mm (± 0.002 inch). The module should be mounted to the heatsink using 3 mm (or 4-40) or equivalent screws torqued to 5-6 kg-cm (4-6 in-lb).

The module leads are attached to the equipment PC board using 180°C solder applied to the leads with it properly grounded soldering iron tip, not to exceed 195°C, applied a minimum of 2 mm (0.080 inch) from the body of the module for a duration not to exceed 15 seconds per lead. It is imperative that no other portion of the module, other than the leads, be subjected to temperatures in excess of 100°C (maximum storage temperature), for any period of time, as the plastic moulded cover, internal components and sealing adhesives may be adversely affected by such conditions.

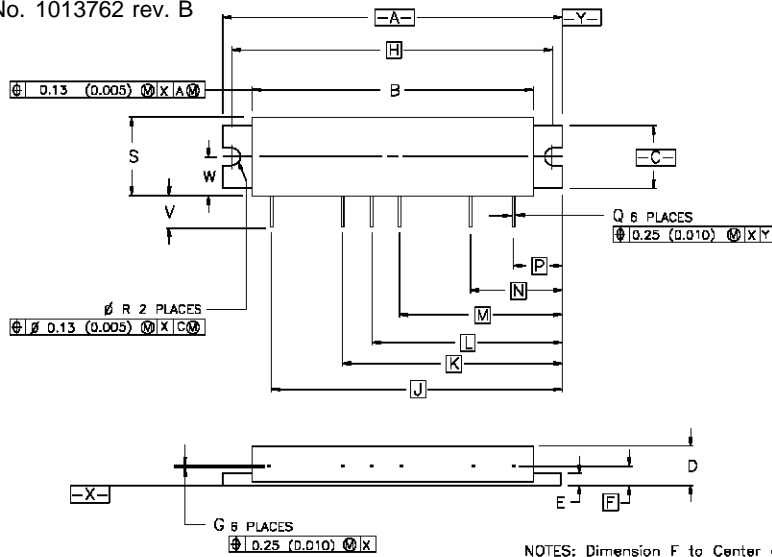
Due to the construction techniques and the materials used within the module, reflow soldering of the flange heatsink or leads, is not recommended.

THERMAL CONSIDERATIONS

It will be necessary to provide a suitable heatsink in order to maintain the module flange temperature at or below the maximum case operating temperature. In a case where the module output power will be limited to +41.5 dBm (14 W) and designing for the worst case efficiency of 35%, the power dissipated by the module will be 26 watts. The heatsink must be designed such that the thermal rise will be less than the difference between the maximum ambient temperature at which the module will operate and the maximum operating case temperature of the module while dissipating 26 watts.

PACKAGE MECHANICAL DATA

Ref.: UDCS No. 1013762 rev. B



NOTES: Dimension F to Center of Leads.
All tolerances $\pm 0.25\text{mm}$ ($\pm 0.010\text{in}$) unless otherwise specified.

SGS-THOMSON MICROELECTRONICS		
	MINIMUM Inches/mm	MAXIMUM Inches/mm
A	2.380/60.46	2.395/60.83
B	1.970/50.04	1.990/50.54
C	0.445/11.31	0.465/11.81
D	0.250/6.35	0.265/6.73
E	0.085/2.16	0.100/2.54
F	0.132/3.35	
G	0.008/0.21	0.012/0.30
H	2.280/57.40	
J	2.042/51.87	
K	1.542/39.17	
L	1.342/34.09	
M	1.142/29.01	

SGS-THOMSON MICROELECTRONICS		
	MINIMUM Inches/mm	MAXIMUM Inches/mm
N	0.642/16.31	
P	0.342/8.69	
Q	0.018/0.46	0.022/0.55
R	0.120/3.05	0.130/3.30
S	0.535/13.59	0.555/14.09
V	0.177/4.49	0.217/5.51
W	0.287/7.28	0.278/7.05

Information furnished is believed to be accurate and reliable. However, SGS-THOMSON Microelectronics assumes no responsibility for the consequences of use of such information nor for any infringement of patents or other rights of third parties which may result from its use. No license is granted by implication or otherwise under any patent or patent rights of SGS-THOMSON Microelectronics. Specifications mentioned in this publication are subject to change without notice. This publication supersedes and replaces all information previously supplied. SGS-THOMSON Microelectronics products are not authorized for use as critical components in life support devices or systems without express written approval of SGS-THOMSON Microelectronics.

©1995 SGS-THOMSON Microelectronics - All Rights Reserved

SGS-THOMSON Microelectronics GROUP OF COMPANIES
Australia - Brazil - France - Germany - Hong Kong - Italy - Japan - Korea - Malaysia - Malta - Morocco - The Netherlands - Singapore - Spain - Sweden - Switzerland - Taiwan - Thailand - United Kingdom - U.S.A.

RF Products Group 141 Commerce Drive Montgomerlyville, PA 18936 tel 215-361-6400 fax 215-362-1293