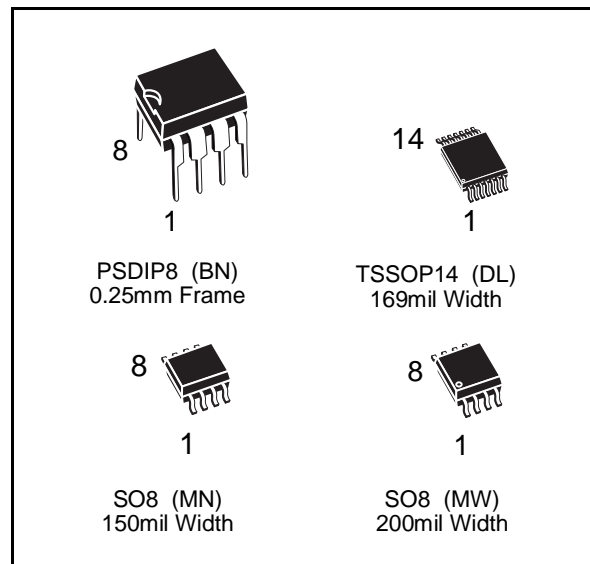


**256K/128K SERIAL SPI EEPROM**  
**with POSITIVE CLOCK STROBE**
**DATA BRIEFING**

- 100,000 ERASE/WRITE CYCLES
- 40 YEARS DATA RETENTION
- SINGLE SUPPLY VOLTAGE
  - 4.5V to 5.5V for M95xxx
  - 2.5V to 5.5V for M95xxx-W
  - 1.8V to 3.6V for M95xxx-R
- SPI BUS COMPATIBLE SERIAL INTERFACE
- 5 MHz CLOCK RATE MAX
- STATUS REGISTER
- HARDWARE PROTECTION of the STATUS REGISTER
- 64 BYTE PAGE MODE
- SIZEABLE READ ONLY EEPROM AREA
- SELF-TIMED PROGRAMMING CYCLE
- E.S.D.PROTECTION GREATER than 4000V
- SUPPORTS POSITIVE CLOCK SPI MODES

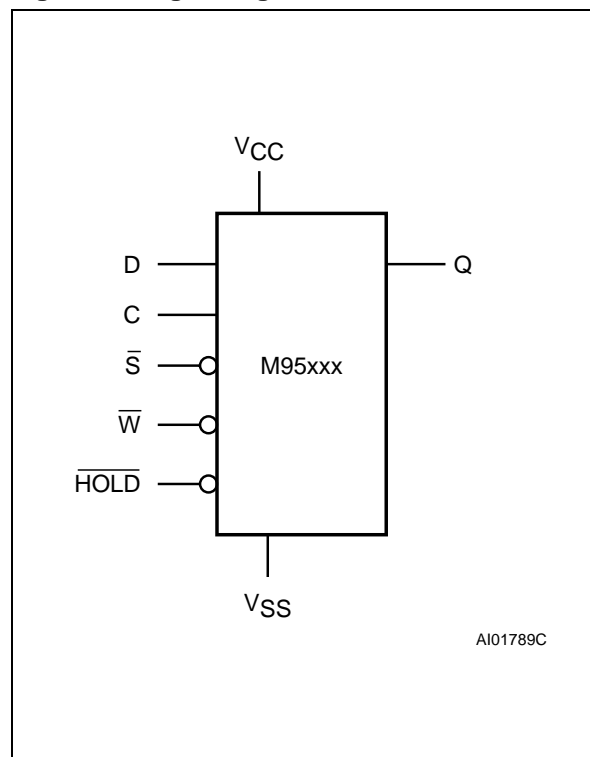

**DESCRIPTION**

The M95xxx is a family of Electrically Erasable Programmable Memories (EEPROM) fabricated with SGS-THOMSON's High Endurance Double Polysilicon CMOS technology. Each Memory is accessed by a simple SPI bus compatible serial interface. The bus signals are a serial clock input (C), a serial data input (D) and a serial data output (Q).

The device connected to the bus is selected when the chip select input ( $\bar{S}$ ) goes low. Communications with the chip can be interrupted with a hold input (HOLD).

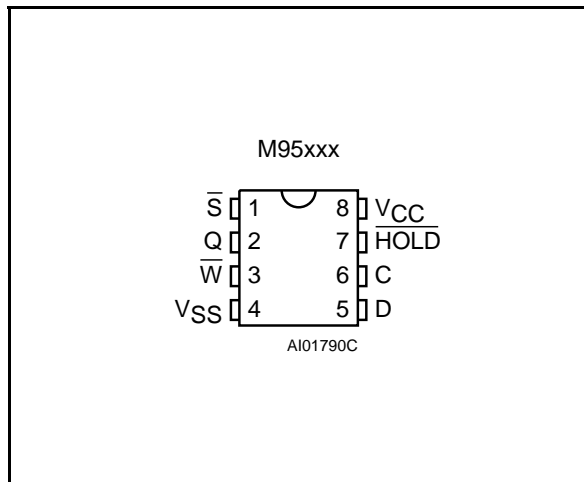
**Signal Names**

|                 |                    |
|-----------------|--------------------|
| C               | Serial Clock       |
| D               | Serial Data Input  |
| Q               | Serial Data Output |
| S               | Chip Select        |
| W               | Write Protect      |
| HOLD            | Hold               |
| V <sub>CC</sub> | Supply Voltage     |
| V <sub>SS</sub> | Ground             |

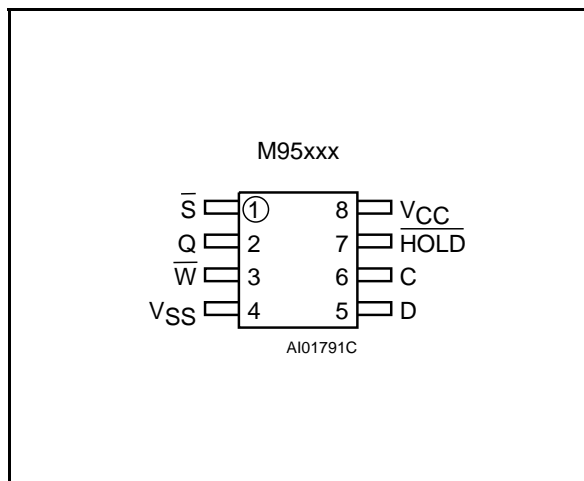
**Figure 1. Logic Diagram**


## M95256, M95128

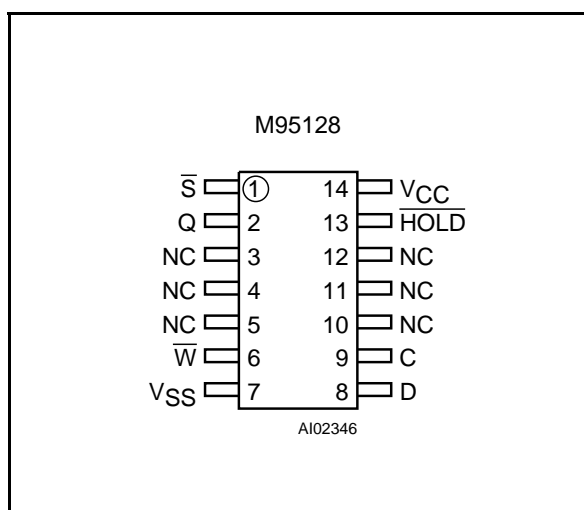
### DIP Pin Connections



### SO Pin Connections



### TSSOP Pin Connections



### Ordering Information Scheme

For a list of available options or for further information on any aspect of this device, please contact the SGS-THOMSON Sales Office nearest to you.

Example: M95256 – R MW 5 T

| Density |                |
|---------|----------------|
| 256     | 256K (32K x 8) |
| 128     | 128K (16K x 8) |

| Operating Voltage |              |
|-------------------|--------------|
| blank             | 4.5V to 5.5V |
| W                 | 2.5V to 5.5V |
| R <sup>(3)</sup>  | 1.8V to 3.6V |

| Package           |                         |
|-------------------|-------------------------|
| BN                | PSDIP8<br>0.25mm Frame  |
| MW                | SO8<br>200mil Width     |
| MN <sup>(4)</sup> | SO8<br>150mil Width     |
| DL <sup>(5)</sup> | TSSOP14<br>169mil Width |

| Temp. Range      |               |
|------------------|---------------|
| 1 <sup>(1)</sup> | 0 to 70 °C    |
| 5                | -20 to 85 °C  |
| 6                | -40 to 85 °C  |
| 3 <sup>(2)</sup> | -40 to 125 °C |

| Option |                        |
|--------|------------------------|
| T      | Tape & Reel<br>Packing |

- Notes:**
- Temperature range on request only.
  - Produced with High Reliability Certified Flow (HRCF), in V<sub>CC</sub> range 4.5V to 5.5V only
  - R version (1.8V to 3.6V) are only available in temperature ranges 5 or 1.
  - SO8, 150mil Width, package is available for M95128 series only
  - TSSOP14, 169mil Width, package is available for M95128 series only.

Devices are shipped from the factory with the memory content set at all "1's" (FFh).