

Preliminary Data Sheet Supplement

Subject:	Reset Pin Configuration
Data Sheet Concerned:	MAS 35x9F 6251-505-1PD, Edition Aug. 1, 2001
Supplement:	No. 1/ 6251-586-1PDS
Edition:	April 17, 2002

Reset Pin Configuration for MAS 3529F and MAS 3539F

The Power-On Reset pin $\overline{\text{POR}}$ is used to reset the entire MAS 35x9F. The $\overline{\text{POR}}$ is an active-low signal.

Note: If a pull-up resistor is used for building a delay time here (see Fig. 1–1 on page 2), referred to the VDD pins, the maximum allowed value for this resistor is 3.3 kOhm!

1. Typical Application in a Portable Player

- MMC/SDI-Card or SMC/CF2+ used as storage media
- Dashed lines show optional (external) devices

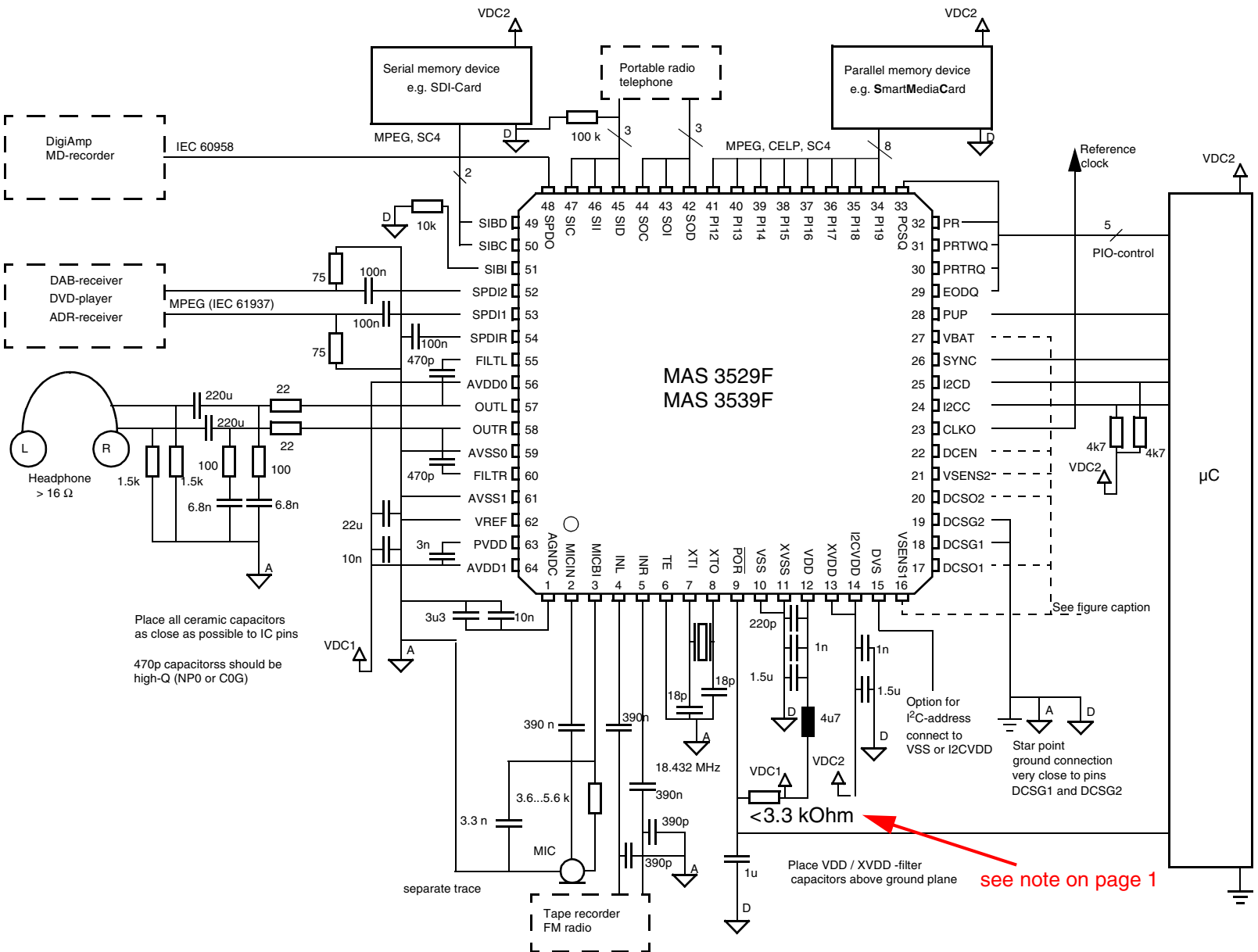


Fig. 1-1: Application circuit of the MAS 35x9F.

2. Recommended DC/DC Converter Application Circuit

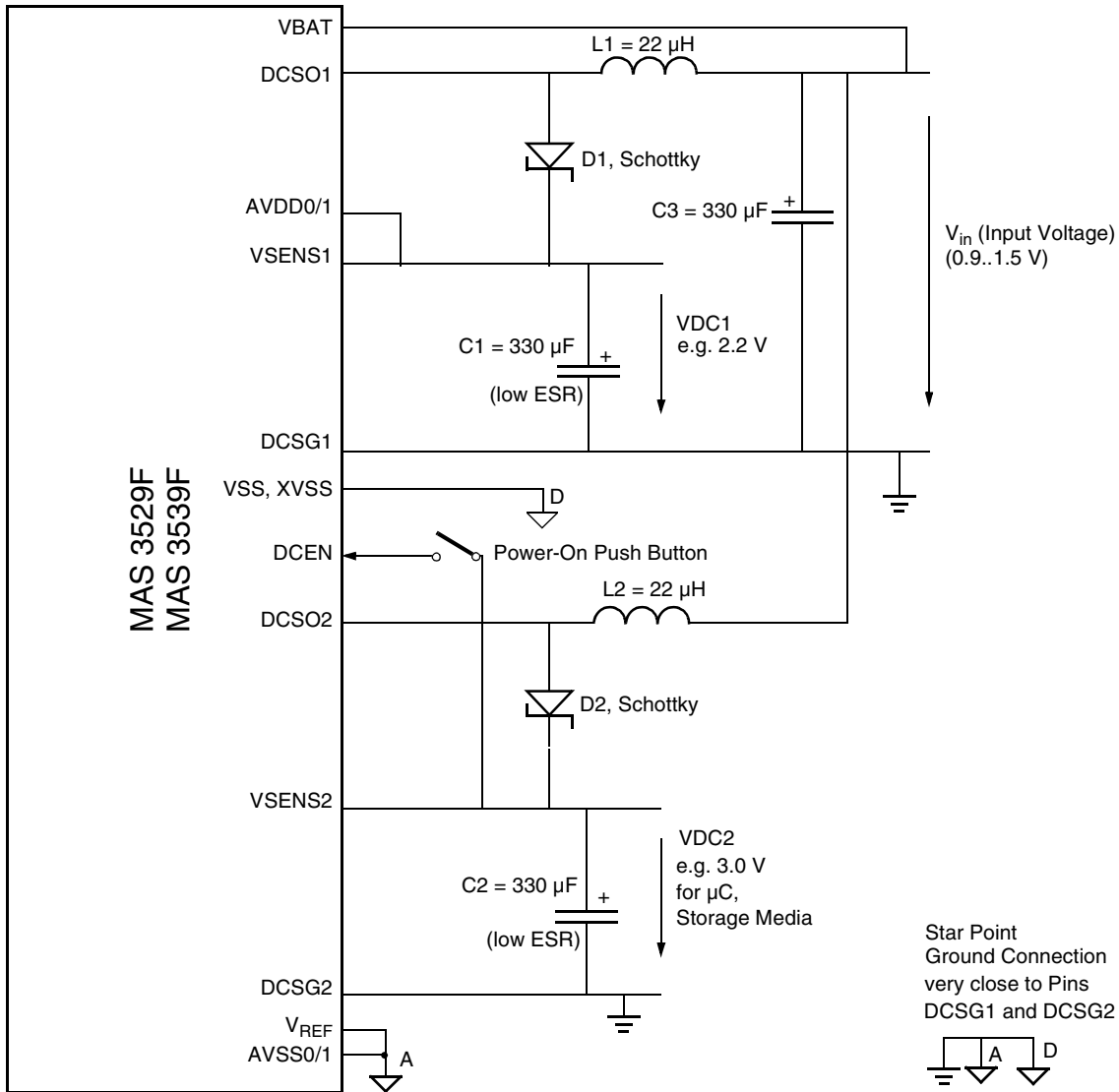


Fig. 2-1: External circuitry for the DC/DC converters