



# Multiprotocol, Pin-Selectable Data Interface Chipset

## General Description

The MAX13171E along with the MAX13173E/MAX13175E, form a complete pin-selectable data terminal equipment (DTE) or data communication equipment (DCE) interface port that support the V.28 (RS-232), V.10/V.11 (RS-449/V.36, RS-530, RS-530A, X.21), and V.35 protocols. The MAX13171E transceivers carry the high-speed clock and data signals, while the MAX13173E transceivers carry the control signals. The MAX13171E can be terminated by the MAX13175E pin-selectable resistor termination network. The MAX13175E contains six pin-selectable, multiprotocol cable termination networks.

The MAX13171E/MAX13173E have an internal charge pump and low-dropout transmitter output stages that allow V.10-, V.11-, V.28-, and V.35-compliant operation from a single supply. The MAX13171E/MAX13173E feature a no-cable mode that reduces supply current and disables all transmitter and receiver outputs (high impedance). Short-circuit current limiting and thermal shutdown circuitry protects the receiver and transmitter outputs against excessive power dissipation. The MAX13171E/MAX13173E have extended ESD protection for all the transmitter outputs and receivers inputs.

The MAX13171E/MAX13173E/MAX13175E operate over the +3.135V to +5.5V supply range and are available in 5mm x 7mm, 38-pin TQFN packages. These devices operate over the -40°C to +85°C extended temperature range.

## Applications

- Data Networking
- PCI Cards
- CSU and DSU
- Telecommunication Equipment
- Data Routers
- Data Switches

## Features

- ◆ Supports V.28 (RS-232), V.10 (RS-423), V.11 (RS-449/V.36, RS-530, RS-530A, X.21) and V.35 Protocols
- ◆ Pin-Selectable Cable Termination Using the MAX13175E
- ◆ Pin-Selectable DCE/DTE Configurations
- ◆ 20/40Mbps (max) Data Rate in RS-449, RS-530, RS-530A, X.21, and V.35
- ◆ True Fail-Safe Receivers while Maintaining V.11 and V.35 Compatibility
- ◆ Operates Over a Wide +3.135V to +5.5V V<sub>CC</sub> Supply Range
- ◆ Flexible V<sub>L</sub> Logic Reference Input Allows Interfacing Down to 1.62V
- ◆ Extended ESD Protection for All the Transmitter Outputs and Receivers Inputs to GND
- ◆ Small, 5mm x 7mm, 38-Pin TQFN Package

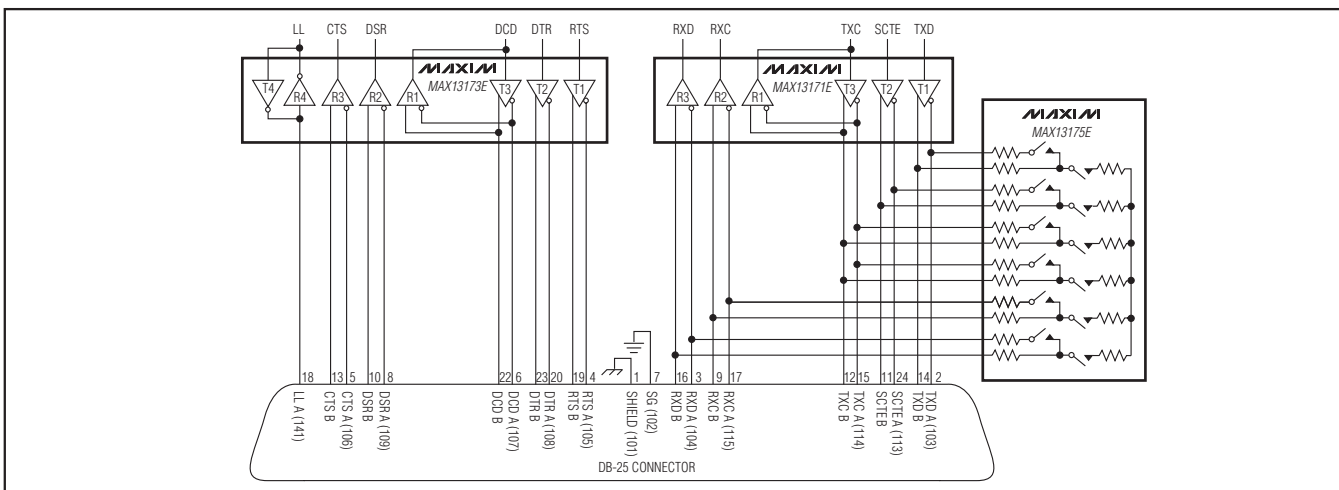
## Ordering Information

PART	TEMP RANGE	PIN-PACKAGE
MAX13171EETU+	-40°C to +85°C	38 TQFN-EP*
MAX13173EETU+	-40°C to +85°C	38 TQFN-EP*
MAX13175EETU+	-40°C to +85°C	38 TQFN-EP*

+ Denotes a lead(Pb)-free/RoHS-compliant package.

\* EP = Exposed pad.

## Typical Operating Circuit



MAX13171E/MAX13173E/MAX13175E

# Multiprotocol, Pin-Selectable Data Interface Chipset

## ABSOLUTE MAXIMUM RATINGS

(All voltages to GND, unless otherwise noted.)

Supply Voltages	
V <sub>CC</sub> .....	-0.3V to +6V
V <sub>L</sub> .....	-0.3V to +6V
V <sub>EE</sub> .....	+0.3V to -7.1V
V <sub>DD</sub> .....	-0.3V to +7.1V
V <sub>DD</sub> to V <sub>CC</sub> .....	-0.3V to +6V
Logic-Input Voltages	
M0, M1, M2, DCE/DTE, LATCH, INVERT, T_IN .....	-0.3V to +6V
Termination Network Inputs	
R_A, R_B, R_C .....	-15V to +15V
R_A to R_B (only for high-Z state) .....	±14V
R_A to R_B .....	±6V
R_A to R_C (only for high-Z state) .....	±14V
R_A to R_C .....	±3V
R_B to R_C (only for high-Z state) .....	±3V

Logic-Output Voltages	
R_OUT .....	-0.3V to (V <sub>L</sub> + 0.3V)
Transmitter Outputs	
T_OUT_, T_OUT_/R_IN_ (no-cable, V.28, V.10 modes) .....	-15V to +15V
Short-Circuit Duration to GND .....	Continuous
Receiver Inputs	
R_IN_, T_OUT_/R_IN_ .....	-15V to +15V
R_INA to R_INB, T3OUTA/R3INA to T3OUTB/R3INB .....	-15V to +15V
Continuous Power Dissipation (T <sub>A</sub> = +70°C)	
38-Pin TQFN (derate 35.7mW/°C above +70°C) .....	2857mW
Operating Temperature Range .....	-40°C to +85°C
Junction Temperature .....	+150°C
Storage Temperature Range .....	-65°C to +150°C
Lead Temperature (soldering, 10s) .....	+300°C
Soldering Temperature (reflow) .....	+260°C

## PACKAGE THERMAL CHARACTERISTICS (Note 1)

TQFN

Junction-to-Ambient Thermal Resistance (θ <sub>JA</sub> ) .....	28°C/W
Junction-to-Case Thermal Resistance (θ <sub>JC</sub> ) .....	1°C/W

**Note 1:** Package thermal resistances were obtained using the method described in JEDEC specification JESD51-7, using a four-layer board. For detailed information on package thermal considerations, refer to <http://www.maxim-ic.com/thermal-tutorial>.

Stresses beyond those listed under "Absolute Maximum Ratings" may cause permanent damage to the device. These are stress ratings only, and functional operation of the device at these or any other conditions beyond those indicated in the operational sections of the specifications is not implied. Exposure to absolute maximum rating conditions for extended periods may affect device reliability.

## MAX13171E ELECTRICAL CHARACTERISTICS

(V<sub>CC</sub> = +3.135V to +5.5V, V<sub>L</sub> = +1.62V to +5.5V, C1 = C2 = 1μF, C3 = C4 = C5 = 4.7μF (Figure 15), T<sub>A</sub> = -40°C to +85°C, unless otherwise noted. Typical values are at V<sub>CC</sub> = +3.3V, V<sub>L</sub> = +1.8V, T<sub>A</sub> = +25°C.) (Note 2)

PARAMETER	SYMBOL	CONDITIONS	MIN	TYP	MAX	UNITS
V <sub>CC</sub> Operating Range	V <sub>CC</sub>		3.135		5.5	V
V <sub>L</sub> Operating Range	V <sub>L</sub>		1.62		V <sub>CC</sub>	V
V <sub>L</sub> Supply Current	I <sub>L</sub>	All inputs connected to GND, all receiver outputs low, V <sub>L</sub> = +5.5V		550	800	μA
V <sub>CC</sub> Supply Current (DCE Mode) (Digital Inputs = GND or V <sub>CC</sub> ) (Transmitter Outputs Static)	I <sub>CC</sub>	RS-530, RS-530A, X.21, V.36/RS-449 mode (V.11), no load		15	28	mA
		RS-530, RS-530A, X.21, V.36/RS-449 mode (V.11), full load		150	200	mA
		V.35 mode, no load		21	38	mA
		V.35 mode, full load		150	210	mA
		V.28 mode, no load		15	30	mA
		V.28 mode, full load		28	42	mA
		No-cable mode		0.01	10	μA
Internal Power Dissipation (DCE Mode)(Static)	P <sub>D</sub>	RS-530, RS-530A, X.21, V.36/RS-449 mode (V.11), full load		100		mW
		V.35 mode, full load		500		
		V.28 mode, full load		70		

# Multiprotocol, Pin-Selectable Data Interface Chipset

MAX13171E/MAX13173E/MAX13175E

## MAX13171E ELECTRICAL CHARACTERISTICS (continued)

( $V_{CC} = +3.135V$  to  $+5.5V$ ,  $V_L = +1.62V$  to  $+5.5V$ ,  $C1 = C2 = 1\mu F$ ,  $C3 = C4 = C5 = 4.7\mu F$  (Figure 15),  $T_A = -40^\circ C$  to  $+85^\circ C$ , unless otherwise noted. Typical values are at  $V_{CC} = +3.3V$ ,  $V_L = +1.8V$ ,  $T_A = +25^\circ C$ .) (Note 2)

PARAMETER	SYMBOL	CONDITIONS	MIN	TYP	MAX	UNITS
Positive Charge-Pump Output Voltage	$V_{DD}$	V.28, V.35 modes, no load (Note 3)		5.93	7.1	V
		V.28 mode, full load (Note 3)	5.6	5.86		
		V.35 mode, full load (Note 3)	4.6	5.1		
		RS-530, RS-530A, X.21, V.36/RS-449 mode (V.11) (Note 3)	4.9	5.26	5.7	
		No-cable mode		$V_{CC}$		
Negative Charge-Pump Output Voltage	$V_{EE}$	V.28, V.35 modes, no load (Note 3)		-5.89		V
		V.28 mode, full load (Note 3)		-5.74	-5.4	
		V.35 mode, full load, Note 3		-4.46	-3.8	
		RS-530, RS-530A, X.21, V.36/RS-449 mode (V.11) (Note 3)	-4.84	-4.47	-4.16	
		No-cable mode		0		
Charge-Pump Enable Time		Time until all $V_{DD}$ and $V_{EE}$ specifications meet		< 1		ms
Thermal Shutdown Protection	THSD			+145		$^\circ C$
<b>LOGIC INPUTS (M0, M1, M2, DCE/DTE, T1IN, T2IN, T3IN)</b>						
Input High Voltage	$V_{IH}$		0.66 x $V_L$			V
Input Low Voltage	$V_{IL}$		0.33 x $V_L$			V
Logic-Input Current	$I_{IN}$	T1IN, T2IN, T3IN	-1		+1	$\mu A$
Pullup Resistor	$R_{PUIN}$	M0, M1, M2, DCE/DTE to $V_L$	50	100	170	k $\Omega$
<b>LOGIC OUTPUTS (R1OUT, R2OUT, R3OUT)</b>						
Output High Voltage	$V_{OH}$	$I_{SOURCE} = 4mA$	0.66 x $V_L$			V
Output Low Voltage	$V_{OL}$	$I_{SINK} = 4mA$	0.33 x $V_L$			V
Output Pullup Resistor	$R_{PUY}$	No-cable mode (to $V_L$ )	71.4			k $\Omega$
<b>V.11 TRANSMITTER</b>						
Open-Circuit Differential Output Voltage	$V_{ODO}$	Open circuit, $R = 1.95k\Omega$ , Figure 1	$-V_{CC}$		$+V_{CC}$	V
Loaded Differential Output Voltage	$V_{ODL}$	$R = 50\Omega$ , Figure 1	0.5 x $V_{ODO}$			V
		$R = 50\Omega$ , Figure 1	2I			
Change in Magnitude of Output Differential Voltage	$ \Delta V_{ODL} $	$R = 50\Omega$ , Figure 1			0.2	V
Common-Mode Output Voltage	$V_{OC}$	$R = 50\Omega$ , Figure 1			3.0	V
Change in Magnitude of Common-Mode Output Voltage	$ \Delta V_{OC} $	$R = 50\Omega$ , Figure 1 (Note 3)			0.2	V
Short-Circuit Current	$I_{SC}$	$V_{OUT} = GND$			150	mA
Rise Time	$t_r$	Figures 2, 6			4.5	ns
Fall Time	$t_f$	Figures 2, 6			6.5	ns

# Multiprotocol, Pin-Selectable Data Interface Chipset

## MAX13171E ELECTRICAL CHARACTERISTICS (continued)

( $V_{CC} = +3.135V$  to  $+5.5V$ ,  $V_L = +1.62V$  to  $+5.5V$ ,  $C1 = C2 = 1\mu F$ ,  $C3 = C4 = C5 = 4.7\mu F$  (Figure 15),  $T_A = -40^\circ C$  to  $+85^\circ C$ , unless otherwise noted. Typical values are at  $V_{CC} = +3.3V$ ,  $V_L = +1.8V$ ,  $T_A = +25^\circ C$ .) (Note 2)

PARAMETER	SYMBOL	CONDITIONS	MIN	TYP	MAX	UNITS
Transmitter Input to Output Propagation Delay (Figures 2, 6)	$t_{PHL}, t_{PLH}$	Figures 2, 6		22	28	ns
		$V_L \geq +3V$ , Figures 2, 6		20	25	
Data Skew	$t_{PHL}-t_{PLH}$	Figures 2, 6 (Note 3)			2	ns
Channel-to-Channel Skew	$t_{SKEW}$	Figures 2, 6 (Notes 3, 4)			3	ns
<b>V.11 RECEIVER</b>						
Differential Threshold Voltage	$V_{TH}$	$-7V \leq V_{CM} \leq +7V$	-200		-50	mV
Input Hysteresis	$\Delta V_{TH}$	$-7V \leq V_{CM} \leq +7V$		15		mV
Receiver Input Current	$I_{IN}$	$-10V \leq V_{A,B} \leq +10V$	-0.66		+0.66	mA
Receiver Input Resistance	$R_{IN}$	$-10V \leq V_{A,B} \leq +10V$	15	30		k $\Omega$
Rise or Fall Time	$t_r, t_f$	Figures 2, 7		3		ns
Receiver Input to Output Delay	$t_{PHL}, t_{PLH}$	Figures 2, 7			2.5	ns
Data Skew	$t_{PHL}-t_{PLH}$	Figures 2, 7 (Note 3)			3	ns
Channel-to-Channel Skew	$t_{SKEWR}$	Figures 2, 7 (Notes 3, 4)			3	ns
<b>V.35 TRANSMITTER</b>						
Differential Output Voltage	$V_{OD}$	Full load, $-4V < V_{CM} < +4V$ , Figure 3	$\pm 0.44$	$\pm 0.55$	$\pm 0.66$	V
Output High Current	$I_{OH}$	$V_{A,B} = 0V$	-13	-11	-9	mA
Output Low Current	$I_{OL}$	$V_{A,B} = 0V$	9	11	13	mA
Output Leakage Current	$I_z$	$-0.25V \leq V_{OUT} \leq +0.25V$ , power off or no-cable mode		$\pm 0.05$	$\pm 5$	$\mu A$
Rise or Fall Time	$t_r, t_f$	Figures 3, 6		5		ns
Transmitter Input to Output Delay	$t_{PLH}, t_{PHL}$	Figures 3, 6		19	35	ns
Data Skew	$t_{PLH} - t_{PHL}$	Figures 3, 6 (Note 3)			3	ns
Channel-to-Channel Skew	$t_{SKEWR}$	Figures 3, 6 (Notes 3, 4)			3	ns
<b>V.35 RECEIVER</b>						
Differential Threshold Voltage	$V_{TH}$	$-2V \leq V_{CM} \leq +2V$	-200		-50	mV
Input Hysteresis	$\Delta V_{TH}$	$-2V \leq V_{CM} \leq +2V$		15		mV
Receiver Input Current	$I_{IN}$	$-10V \leq V_{A,B} \leq +10V$	-0.66		+0.66	mA
Receiver Input Resistance	$R_{IN}$	$-10V \leq V_{A,B} \leq +10V$	15	30		k $\Omega$
Rise or Fall Time	$t_r, t_f$	Figures 3, 7		3		ns
Receiver Input to Output Delay	$t_{PHL}, t_{PLH}$	Figures 3, 7			25	ns
Data Skew	$t_{PHL} - t_{PLH}$	Figures 3, 7 (Note 3)			3	ns
Channel-to-Channel Skew	$t_{SKEWR}$	Figures 3, 7 (Notes 3, 4)			3	ns
<b>V.28 TRANSMITTER</b>						
Output-Voltage Swing	$I_{VODI}$	Open circuit			7.1	V
		$R_L = 3k\Omega$	5	6		
Short-Circuit Current	$I_{OH}$				85	mA

# Multiprotocol, Pin-Selectable Data Interface Chipset

MAX13171E/MAX13173E/MAX13175E

## MAX13171E ELECTRICAL CHARACTERISTICS (continued)

( $V_{CC} = +3.135V$  to  $+5.5V$ ,  $V_L = +1.62V$  to  $+5.5V$ ,  $C1 = C2 = 1\mu F$ ,  $C3 = C4 = C5 = 4.7\mu F$  (Figure 15),  $T_A = -40^\circ C$  to  $+85^\circ C$ , unless otherwise noted. Typical values are at  $V_{CC} = +3.3V$ ,  $V_L = +1.8V$ ,  $T_A = +25^\circ C$ .) (Note 2)

PARAMETER	SYMBOL	CONDITIONS	MIN	TYP	MAX	UNITS
Output Leakage Current	$I_Z$	$-0.25V \leq V_{OUT} \leq +0.25V$ , power off or no-cable mode		$\pm 0.05$	$\pm 5$	$\mu A$
Output Slew Rate	$SR_{R/F}$	$R_L = 3k\Omega$ , $C_L = 2500pF$ (swing in $\pm 3V$ ), Figures 4, 10	4		30	$V/\mu s$
Transmitter Input to Output Delay	$t_{PHL}$ , $t_{PLH}$	$R_L = 3k\Omega$ , $C_L = 2500pF$ , Figures 4, 10		1	2	$\mu s$
<b>V.28 RECEIVER</b>						
Input Threshold Low	$V_{IL}$		0.8	1.2		V
Input Threshold High	$V_{IH}$			1.2	2	V
Input Hysteresis	$V_{HYST}$			0.25		V
Input Resistance	$R_{IN}$	$-15V \leq V_{IN} \leq +15V$	3	5	7	$k\Omega$
Rise or Fall Time	$t_r$ , $t_f$	Figures 5, 11		3		ns
Receiver Input to Output Delay	$t_{PHL}$ , $t_{PLH}$	Figures 5, 11			150	ns
<b>ESD PROTECTION</b>						
T_OUT, T3OUT_/R1IN_, R_IN to GND		Human Body Model		$\pm 15$		kV
		Air Gap Discharge IEC 61000-4-2		$\pm 12$		
		Contact Discharge IEC 61000-4-2		$\pm 8$		

## MAX13173E ELECTRICAL CHARACTERISTICS

( $V_{CC} = +3.135V$  to  $+5.5V$ ,  $V_L = +1.62V$  to  $+5.5V$ ,  $C1 = C2 = 1\mu F$ ,  $C3 = C4 = C5 = 4.7\mu F$  (Figure 15),  $T_A = -40^\circ C$  to  $+85^\circ C$ , unless otherwise noted. Typical values are at  $V_{CC} = +3.3V$ ,  $V_L = +1.8V$ ,  $T_A = +25^\circ C$ .) (Note 2)

PARAMETER	SYMBOL	CONDITIONS	MIN	TYP	MAX	UNITS
$V_{CC}$ Operating Range	$V_{CC}$		3.135		5.5	V
$V_L$ Operating Range	$V_L$		1.62		$V_{CC}$	V
$V_L$ Supply Current	$I_L$	All inputs connected to GND, all receiver outputs low, $V_L = +5.5V$		680	1100	$\mu A$
$V_{CC}$ Supply Current	$I_{CC}$	RS-530A, no load		11	21	mA
		RS-530, X.21, V.36/RS-449, DCE mode, INVERT = low, full load, transmitter outputs static, digital inputs = GND or $V_L$		41	210	mA
		V.28 mode, no load		21	38	mA
		V.28 mode, full load		42	65	mA
		No-cable mode		0.01	10	$\mu A$
Internal Power Dissipation	$P_D$	RS-530, X.21, V.36/RS-449; DCE mode, INVERT = low, full load		120		mW
Positive Charge-Pump Output Voltage	$V_{DD}$	V.28 mode, no load (Note 3)		5.9	7.1	V
		V.28 mode with full load (Note 3)	5.6	5.79		
		RS-530 mode, full load (Note 3)	4.84	5.15	5.5	
		RS-530A mode, full load		5.15		
		No-cable mode		$V_{CC}$		

# Multiprotocol, Pin-Selectable Data Interface Chipset

## MAX13173E ELECTRICAL CHARACTERISTICS (continued)

( $V_{CC} = +3.135V$  to  $+5.5V$ ,  $V_L = +1.62V$  to  $+5.5V$ ,  $C1 = C2 = 1\mu F$ ,  $C3 = C4 = C5 = 4.7\mu F$  (Figure 15),  $T_A = -40^\circ C$  to  $+85^\circ C$ , unless otherwise noted. Typical values are at  $V_{CC} = +3.3V$ ,  $V_L = +1.8V$ ,  $T_A = +25^\circ C$ .) (Note 2)

PARAMETER	SYMBOL	CONDITIONS	MIN	TYP	MAX	UNITS
Negative Charge-Pump Output Voltage	$V_{EE}$	V.28 mode, no load (Note 3)		-5.83		V
		V.28 mode with full load (Note 3)		-5.55	-5.3	
		RS-530 mode, full load (Note 3)	-4.71	-4.44	-4.17	
		RS-530A mode, full load		-4.44		
		No-cable mode		0		
Thermal Shutdown Protection	THSD		+145			$^\circ C$
Charge-Pump Enable Time		Time until all $V_{DD}$ and $V_{EE}$ specifications meet		< 1		ms
<b>LOGIC INPUTS (M0, M1, M2, DCE/DTE, INVERT, T1IN, T2IN, T3IN, T4IN, T5IN/R5OUT)</b>						
Input High Voltage	$V_{IH}$		0.66 x $V_L$			V
Input Low Voltage	$V_{IL}$		0.33 x $V_L$			V
Logic-Input Current	$I_{IN}$	T1IN, T2IN, T3IN, T4IN	-1		+1	$\mu A$
Pullup Resistor	$R_{PUIN}$	M0, M1, M2, DCE/DTE, INVERT to $V_L$	50	100	170	k $\Omega$
<b>LOGIC OUTPUTS (R1OUT, R2OUT, R3OUT, R4OUT, T5IN/R5OUT)</b>						
Output High Voltage	$V_{OH}$	$I_{SOURCE} = 4mA$	0.66 x $V_L$			V
Output Low Voltage	$V_{OL}$	$I_{SINK} = 4mA$	0.33 x $V_L$			V
Output Pullup Resistor	$R_{PUY}$	No-cable mode (to $V_L$ )	71.4			k $\Omega$
<b>V.11 TRANSMITTER (T1, T2, T3)</b>						
Open-Circuit Differential Output Voltage	$V_{ODO}$	Open circuit, $R = 1.95k\Omega$ , Figure 1	$-V_{CC}$		$+V_{CC}$	V
Loaded Differential Output Voltage	$V_{ODL}$	$R = 50\Omega$ , Figure 1	0.5 x $V_{ODO}$			V
		$R = 50\Omega$ , Figure 1	$ I_2 $			
Change in Magnitude of Output Differential Voltage	$ \Delta V_{ODL} $	$R = 50\Omega$ , Figure 1			0.2	V
Common-Mode Output Voltage	$V_{OC}$	$R = 50\Omega$ , Figure 1			3.0	V
Change in Magnitude of Common-Mode Output Voltage	$ \Delta V_{OC} $	$R = 50\Omega$ , Figure 1 (Note 3)			0.2	V
Short-Circuit Current	$I_{SC}$	$V_{OUT} = GND$			150	mA
Output Leakage Current	$I_Z$	$-0.25V \leq V_{OUT} \leq +0.25V$ , power-off or no-cable mode		$\pm 0.05$	$\pm 5$	$\mu A$
Rise Time	$t_r$	Figures 2, 6		4	10	ns
Fall Time	$t_f$	Figures 2, 6		6	10	ns
Transmitter Input to Output Prop Delay	$t_{PHL}, t_{PLH}$	Figures 2, 6		20	28	ns
		Figures 2, 6, $V_L \geq +3V$			25	
Data Skew	$ t_{PHL} - t_{PLH} $	Figures 2, 6 (Note 3)			2	ns
Channel-to-Channel Skew	$t_{SKEW}$	Figures 2, 6 (Notes 3, 4)			3	ns

# Multiprotocol, Pin-Selectable Data Interface Chipset

MAX13171E/MAX13173E/MAX13175E

## MAX13173E ELECTRICAL CHARACTERISTICS (continued)

( $V_{CC} = +3.135V$  to  $+5.5V$ ,  $V_L = +1.62V$  to  $+5.5V$ ,  $C1 = C2 = 1\mu F$ ,  $C3 = C4 = C5 = 4.7\mu F$  (Figure 15),  $T_A = -40^\circ C$  to  $+85^\circ C$ , unless otherwise noted. Typical values are at  $V_{CC} = +3.3V$ ,  $V_L = +1.8V$ ,  $T_A = +25^\circ C$ .) (Note 2)

PARAMETER	SYMBOL	CONDITIONS	MIN	TYP	MAX	UNITS
<b>V.11 RECEIVER (R1, R2, R3)</b>						
Differential Threshold Voltage	$V_{TH}$	$-7V \leq V_{CM} \leq +7V$	-200		-50	mV
Input Hysteresis	$\Delta V_{TH}$	$-7V \leq V_{CM} \leq +7V$		15		mV
Receiver Input Current	$I_{IN}$	$-10V \leq V_{A,B} \leq +10V$	-0.66		+0.66	mA
Receiver Input Resistance	$R_{IN}$	$-10V \leq V_{A,B} \leq +10V$	15	30		k $\Omega$
Rise or Fall Time	$t_r, t_f$	Figures 2, 7		3		ns
Receiver Input to Output Delay	$t_{PHL}, t_{PLH}$	Figures 2, 7			27	ns
Data Skew	$ t_{PHL} - t_{PLH} $	Figures 2, 7 (Note 3)			3	ns
Channel-to-Channel Skew	$t_{SKEWR}$	Figures 2, 7 (Notes 3, 4)			3	ns
<b>V.10 TRANSMITTER (T2, T4, T5)</b>						
Open-Circuit Output Voltage Swing	$V_O$	$R_L = 3.9k\Omega$ (out high)	4		6	V
		$R_L = 3.9k\Omega$ (out low)	-6		-4	
Output-Voltage Swing	$V_T$	$R_L = 450\Omega$ (out high)	3.6			V
		$R_L = 450\Omega$ (out low)			-3.6	
		$R_L = 450\Omega$	$0.9 \times  V_{OL} $			
Short-Circuit Current	$I_{SC}$	$V_O = GND$	-55		+55	mA
Output Leakage Current	$I_Z$	$-0.25V \leq V_{OUT} \leq +0.25V$ , power-off or no-cable mode		$\pm 0.05$	+5	$\mu A$
Rise or Fall Time	$t_r, t_f$	$R_L = 450\Omega$ , $C_L = 100pF$ , Figure 8		2		$\mu s$
Transmitter Input to Output Delay	$t_{PLH}, t_{PHL}$	$R_L = 450\Omega$ , $C_L = 100pF$ , Figure 8		1		$\mu s$
<b>V.10 RECEIVER (R2, R4, R5)</b>						
Input Threshold Voltage	$V_{TH}$		50		250	mV
Input Hysteresis	$\Delta V_{TH}$			25		mV
Receiver Input Current	$I_{IN}$	$-10V \leq V_A \leq +10V$	-0.66		+0.66	mA
Receiver Input Resistance	$R_{IN}$	$-10V \leq V_A \leq +10V$	15	30		k $\Omega$
Rise or Fall Time	$t_r, t_f$	Figures 5, 9		3		ns
Receiver Input to Output Delay	$t_{PLH}$	Figure 9		55		ns
	$t_{PHL}$	Figure 9		109		
Data Skew	$ t_{PHL} - t_{PLH} $	Figures 5, 9 (Note 3)		60		ns
<b>V.28 TRANSMITTER (ALL CHANNELS)</b>						
Output-Voltage Swing	$I_{VODI}$	Open circuit			7.1	V
		$R_L = 3k\Omega$	5	6		
Short-Circuit Current	$I_{OH}$				90	mA
Output Leakage Current	$I_Z$	$-0.25V \leq V_{OUT} \leq +0.25V$ , power-off or no-cable mode		$\pm 0.05$	$\pm 5$	$\mu A$

# Multiprotocol, Pin-Selectable Data Interface Chipset

## MAX13173E ELECTRICAL CHARACTERISTICS (continued)

( $V_{CC} = +3.135V$  to  $+5.5V$ ,  $V_L = +1.62V$  to  $+5.5V$ ,  $C_1 = C_2 = 1\mu F$ ,  $C_3 = C_4 = C_5 = 4.7\mu F$ , Figure 15,  $T_A = -40^\circ C$  to  $+85^\circ C$ , unless otherwise noted. Typical values are at  $V_{CC} = +3.3V$ ,  $V_L = +1.8V$ ,  $T_A = +25^\circ C$ .) (Note 2)

PARAMETER	SYMBOL	CONDITIONS	MIN	TYP	MAX	UNITS
Output Slew Rate	$SR_{R/F}$	$R_L = 3k\Omega$ , $C_L = 2500pF$ (swing in $\pm 3V$ ) Figures 4, 10	4		30	$V/\mu s$
Transmitter Input to Output Delay	$t_{PHL}$ , $t_{PLH}$	$R_L = 3k\Omega$ , $C_L = 2500pF$ , Figures 4, 10		1	2	$\mu s$
<b>V.28 RECEIVER (All CHANNELS)</b>						
Input Threshold Low	$V_{IL}$		0.8	1.2		V
Input Threshold High	$V_{IH}$			1.2	2	V
Input Hysteresis	$V_{HYST}$			0.25		V
Input Resistance	$R_{IN}$	$-15V \leq V_{IN} \leq +15V$	3	5	7	$k\Omega$
Rise or Fall Time	$t_r$ , $t_f$	Figures 5, 11		3		ns
Receiver Input to Output Delay	$t_{PHL}$ , $t_{PLH}$	Figures 5, 11			150	ns
<b>ESD PROTECTION</b>						
T_OUT, T_OUT/R_IN_, R_IN		Human Body Model		$\pm 15$		kV
		Air Gap Discharge IEC 61000-4-2		$\pm 15$		
		Contact Discharge		$\pm 5$		

## MAX13175E ELECTRICAL CHARACTERISTICS (continued)

( $V_{CC} = +3.135V$  to  $+5.5V$ ,  $V_L = +1.62V$  to  $+5.5V$ ,  $C_1 = C_2 = 1\mu F$ ,  $C_3 = C_4 = C_5 = 4.7\mu F$ , Figure 15,  $T_A = -40^\circ C$  to  $+85^\circ C$ , unless otherwise noted. Typical values are at  $V_{CC} = +3.3V$ ,  $V_L = +1.8V$ ,  $T_A = +25^\circ C$ .) (Note 2)

PARAMETER	SYMBOL	CONDITIONS	MIN	TYP	MAX	UNITS
$V_{CC}$ Operating Range	$V_{CC}$		3.135		5.5	V
$V_L$ Operating Range	$V_L$		1.62		$V_{CC}$	V
$V_{DD}$ Operating Range	$V_{DD}$		4.5		7.1	V
$V_{EE}$ Operating Range	$V_{EE}$		-7.1		-4	V
$V_L$ POR Rising Threshold			0.7	1.06	1.46	V
$V_{CC}$ POR Rising Threshold			1	1.88	2.75	V
$V_{DD}$ Supply Current	$I_{DD}$	All inputs connected to GND or $V_L$ , except no-cable mode		0.05	0.25	mA
$V_{CC}$ Supply Current	$I_{CC}$	All inputs connected to GND or $V_L$ , except no-cable mode		2.15	5.9	mA
	$I_{CC\_NOCAB}$	$V_{EE} = 0V$ , $M[x] = 1111$ (Note 5)		1.29	2.6	mA
$V_L$ Supply Current	$I_L$	All inputs connected to GND or $V_L$	-1		+1	$\mu A$
$V_{EE}$ Supply Current	$I_{EE}$	All inputs connected to GND or $V_L$	-3.5	-1		mA
<b>TERMINATOR INPUTS</b>						
Differential-Mode Impedance V.35 Mode		$-2V \leq V_{CM} \leq +2V$ , all channels, Figure 12	90	104	110	$\Omega$
Common-Mode Impedance V.35 Mode		$-2V \leq V_{CM} \leq +2V$ , all channels, Figure 13	135	153	165	$\Omega$



# Multiprotocol, Pin-Selectable Data Interface Chipset

MAX13171E/MAX13173E/MAX13175E

## MAX13175E ELECTRICAL CHARACTERISTICS (continued)

( $V_{CC} = +3.135V$  to  $+5.5V$ ,  $V_L = +1.62V$  to  $+5.5V$ ,  $C1 = C2 = 1\mu F$ ,  $C3 = C4 = C5 = 4.7\mu F$ , Figure 15,  $T_A = -40^\circ C$  to  $+85^\circ C$ , unless otherwise noted. Typical values are at  $V_{CC} = +3.3V$ ,  $V_L = +1.8V$ ,  $T_A = +25^\circ C$ .) (Note 2)

PARAMETER	SYMBOL	CONDITIONS	MIN	TYP	MAX	UNITS
Differential-Mode Impedance V.11 Mode		$-7V \leq V_{CM} \leq +7V$ , all channels, except no-cable mode, Figure 12	100	104	110	$\Omega$
		$-7V \leq V_{CM} \leq +7V$ , no cable, $V_{EE} = 0V$ , $V_{AB} < 2V$ , Figure 12		115		
Differential Path Enable Time				50		$\mu s$
Differential Path Disable Time				300		$\mu s$
Common-Mode Path Enable Time				12		$\mu s$
Common-Mode Path Disable Time				2		$\mu s$
High-Impedance Leakage Current	$I_Z$	$-15V \leq V_{R\_A} \leq +15V$	-50		+50	$\mu A$
<b>LOGIC INPUTS (M0, M1, M2, LATCH, DCE/DTE)</b>						
Input High Voltage	$V_{IH}$		0.66 x $V_L$			V
Input Low Voltage	$V_{IL}$				0.33 x $V_L$	V
Logic Input Current	$I_{IN}$	$V_{IN} = GND$ or $V_L$	-1		+1	$\mu A$
<b>ESD PROTECTION</b>						
R_A, R_B to GND		Human Body Model	$\pm 15$			kV
		Air Gap Discharge IEC 61000-4-2	$\pm 10$			
		Contact Discharge IEC 61000-4-2	$\pm 6$			
All Other Pins		Human Body Model	$\pm 2$			kV

**Note 2:** All devices are 100% production tested at  $T_A = +85^\circ C$  for the MAX13171E/MAX13173E and  $T_A = +25^\circ C$  for the MAX13175E. Specifications over temperature are guaranteed by design.

**Note 3:** Guaranteed by design, not production tested.

**Note 4:** Output-to-output skews are evaluated as difference of propagation delays between different channels in the same condition and for the same polarity (LH or HL).

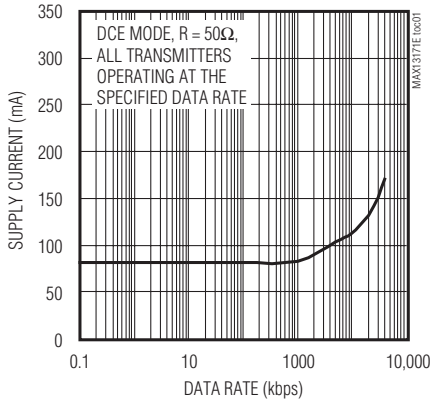
**Note 5:** M[x] is the input bus DTE/DCE, M2, M1, M0.

# Multiprotocol, Pin-Selectable Data Interface Chipset

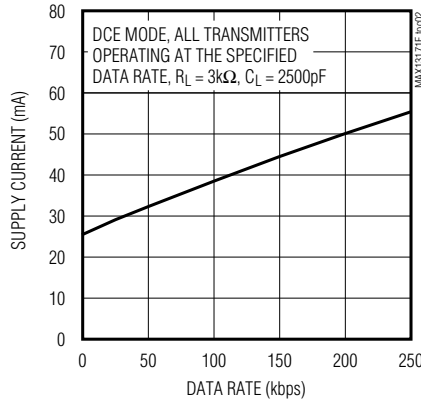
## MAX13171E Typical Operating Characteristics

(V<sub>CC</sub> = +3.3V, V<sub>L</sub> = +1.8V, T<sub>A</sub> = +25°C, unless otherwise noted.)

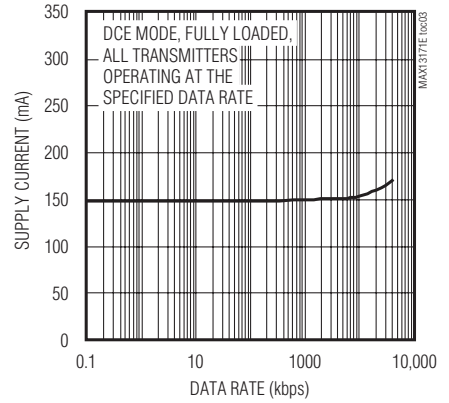
**RS-530 SUPPLY CURRENT vs. DATA RATE**



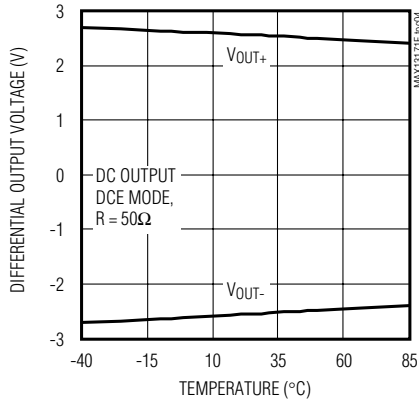
**V.28 SUPPLY CURRENT vs. DATA RATE**



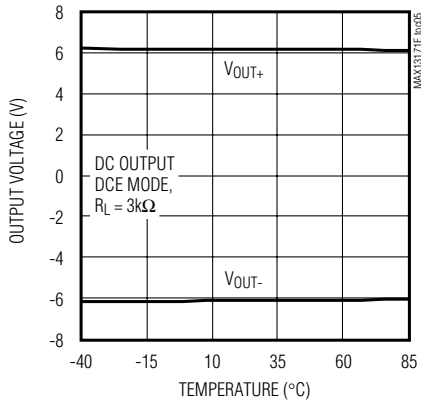
**V.35 SUPPLY CURRENT vs. DATA RATE**



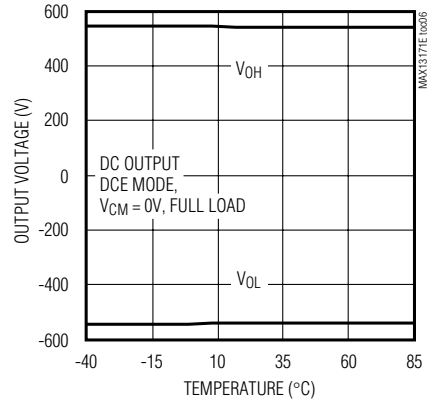
**V.11 DIFFERENTIAL OUTPUT VOLTAGE vs. TEMPERATURE**



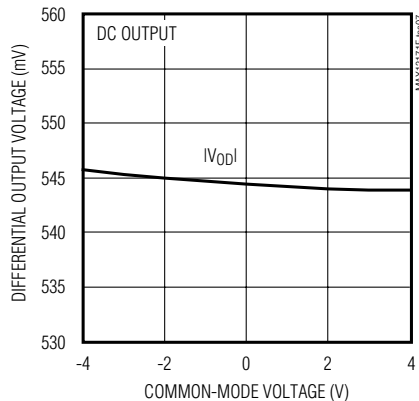
**V.28 OUTPUT VOLTAGE vs. TEMPERATURE**



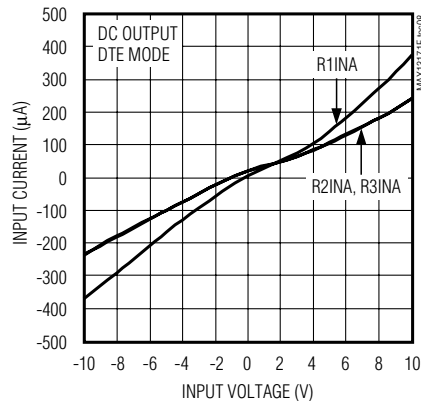
**V.35 OUTPUT VOLTAGE vs. TEMPERATURE**



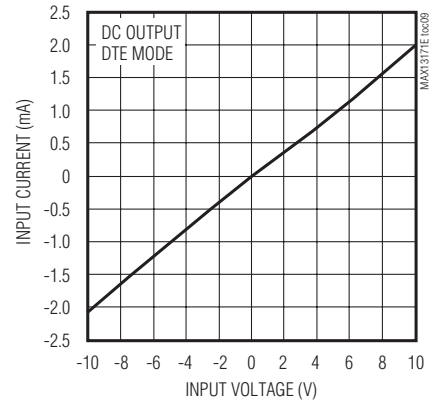
**V.35 LOADED DIFFERENTIAL OUTPUT VOLTAGE vs. COMMON-MODE VOLTAGE**



**V.11/V.35 RECEIVER INPUT CURRENT vs. INPUT VOLTAGE**



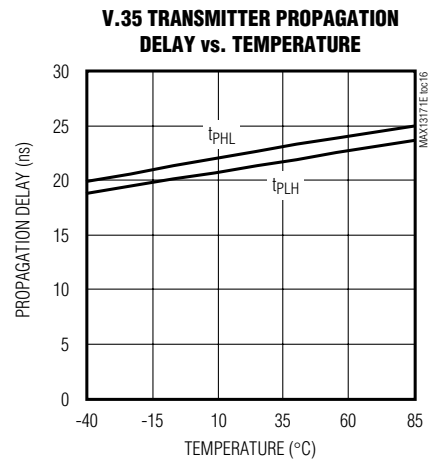
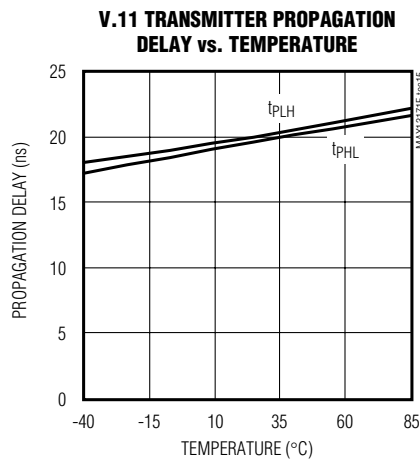
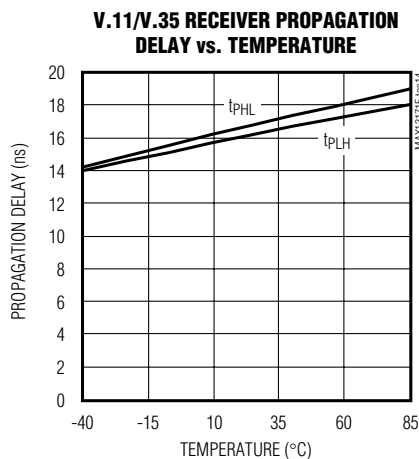
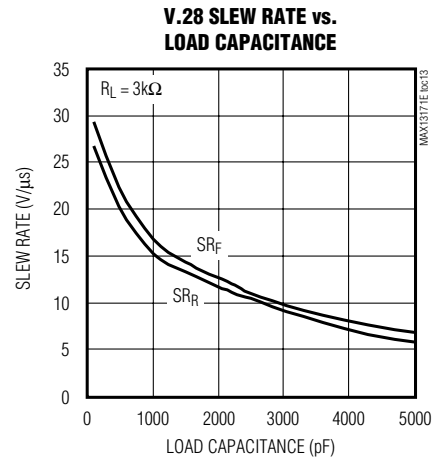
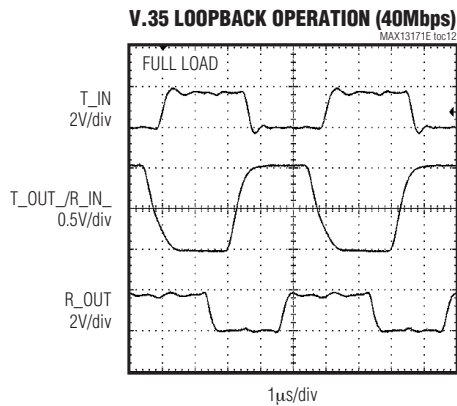
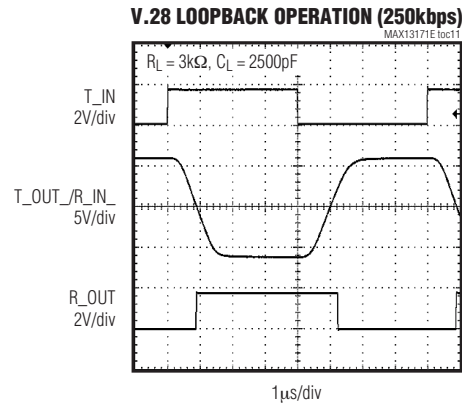
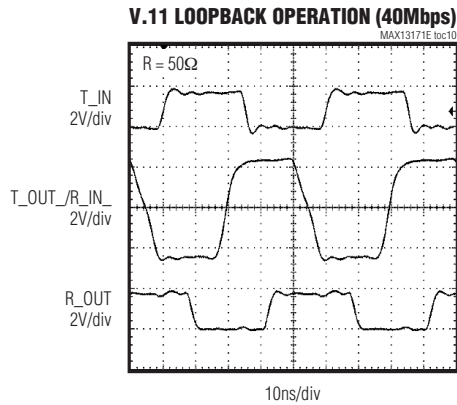
**V.28 RECEIVER INPUT CURRENT vs. INPUT VOLTAGE**



# Multiprotocol, Pin-Selectable Data Interface Chipset

## MAX13171E Typical Operating Characteristics (continued)

(V<sub>CC</sub> = +3.3V, V<sub>L</sub> = +1.8V, T<sub>A</sub> = +25°C, unless otherwise noted.)

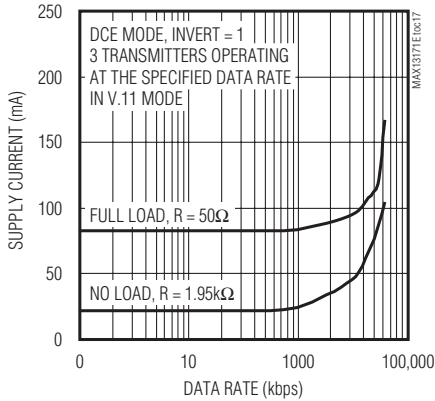


# Multiprotocol, Pin-Selectable Data Interface Chipset

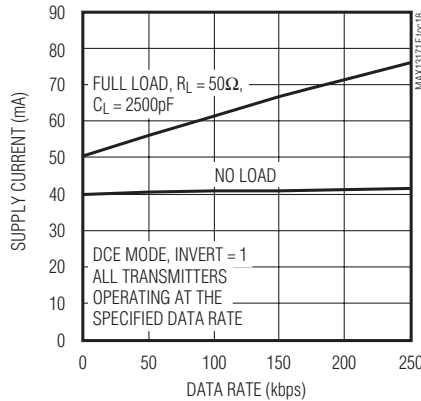
## MAX13173E Typical Operating Characteristics

(V<sub>CC</sub> = +3.3V, V<sub>L</sub> = +1.8V, T<sub>A</sub> = +25°C, unless otherwise noted.)

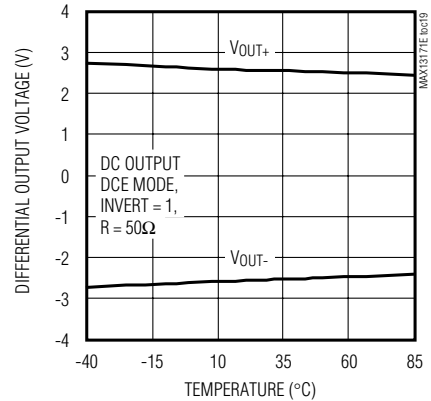
**R-530 SUPPLY CURRENT vs. DATA RATE**



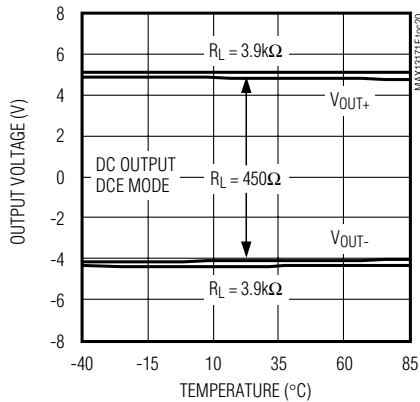
**V.28 SUPPLY CURRENT vs. DATA RATE**



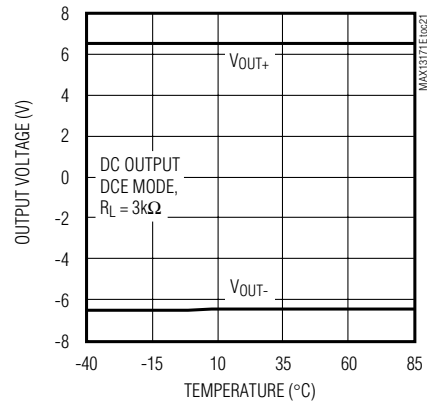
**V.11 DIFFERENTIAL OUTPUT VOLTAGE vs. TEMPERATURE**



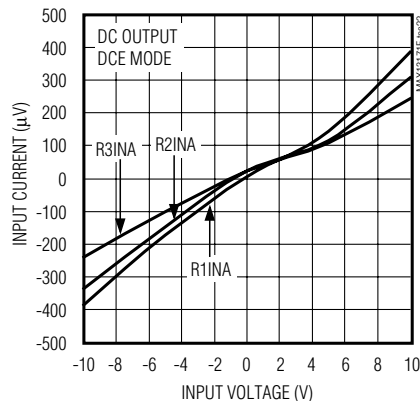
**V.10 OUTPUT VOLTAGE vs. TEMPERATURE**



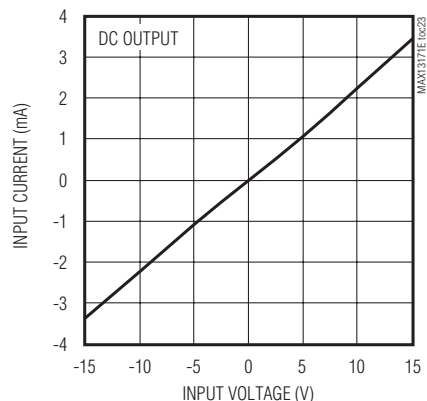
**V.28 OUTPUT VOLTAGE vs. TEMPERATURE**



**V.11 RECEIVER INPUT CURRENT vs. INPUT VOLTAGE**



**V.28 RECEIVER INPUT CURRENT vs. INPUT VOLTAGE**

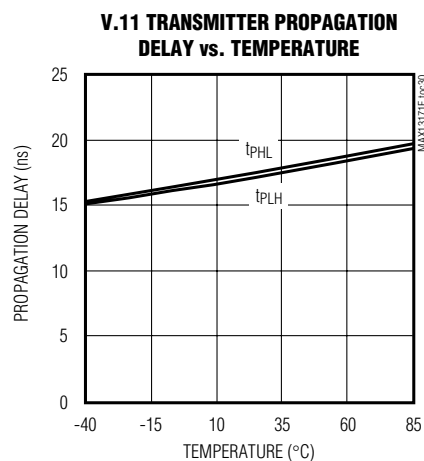
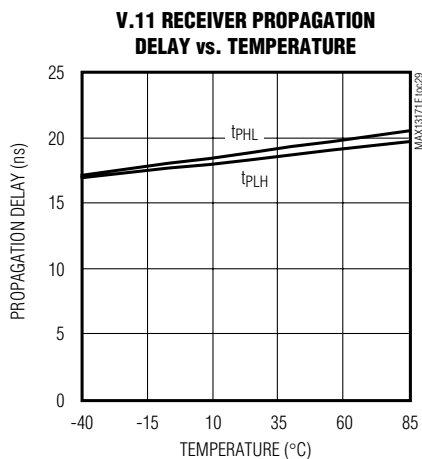
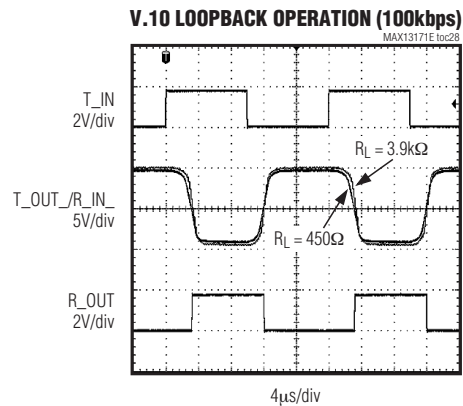
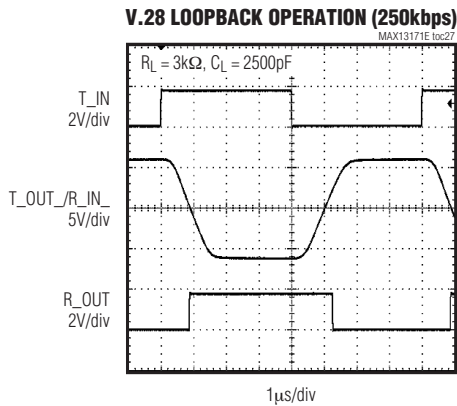
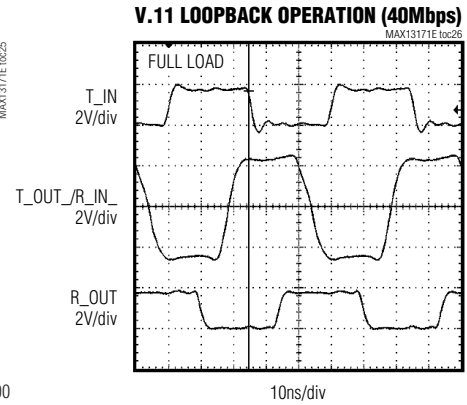
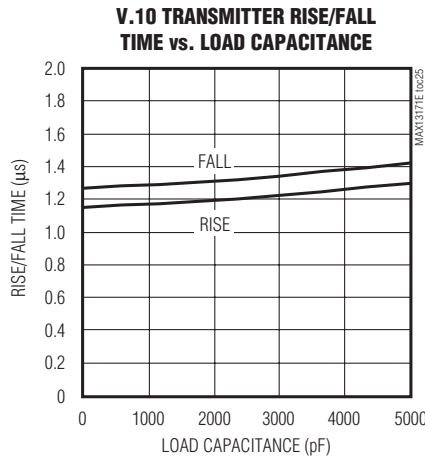
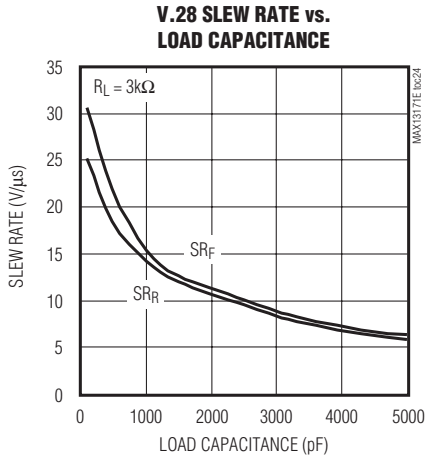


# Multiprotocol, Pin-Selectable Data Interface Chipset

## MAX13173E Typical Operating Characteristics (continued)

( $V_{CC} = +3.3V$ ,  $V_L = +1.8V$ ,  $T_A = +25^\circ C$ , unless otherwise noted.)

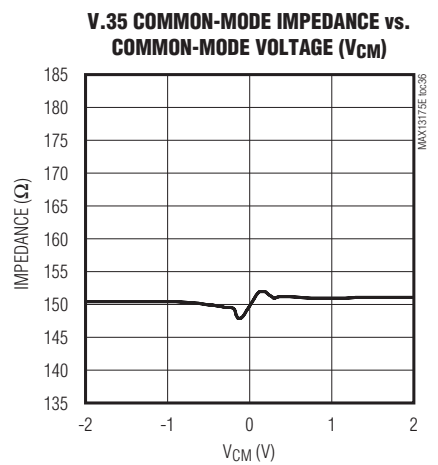
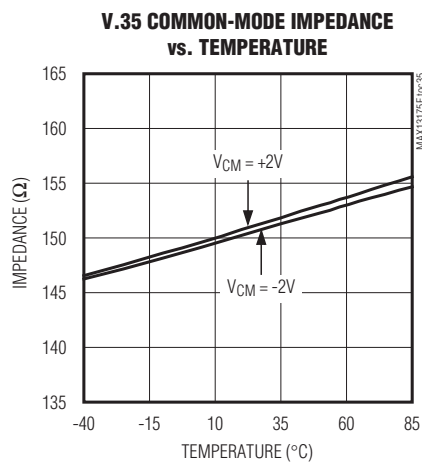
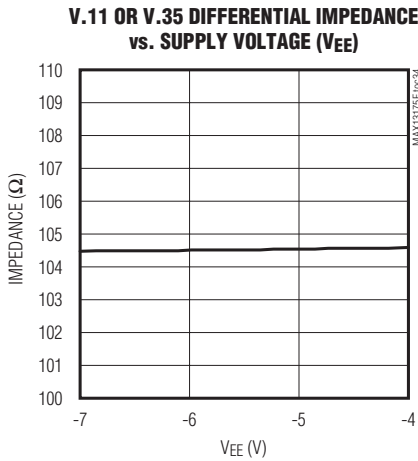
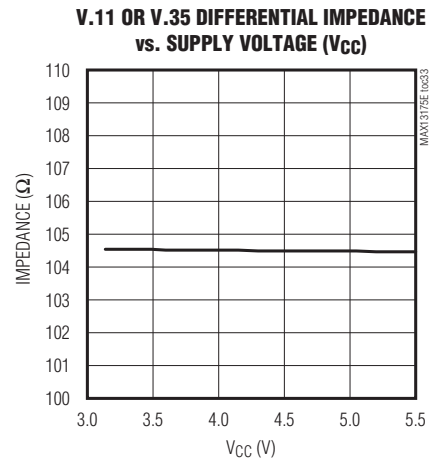
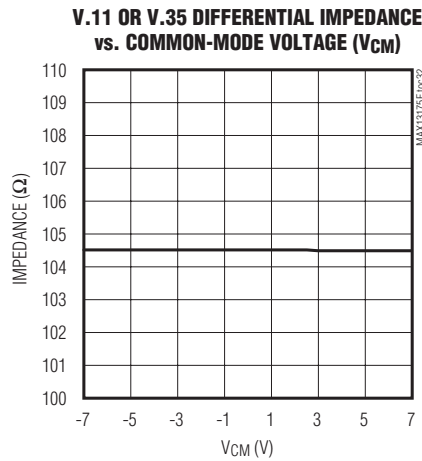
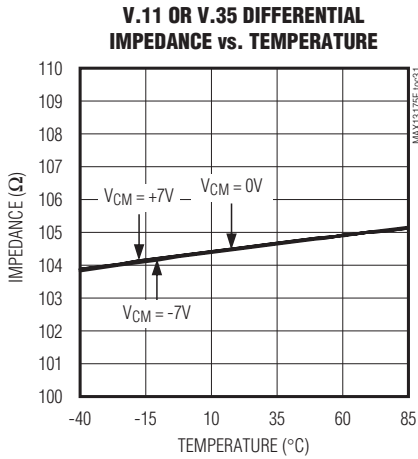
MAX13171E/MAX13173E/MAX13175E



# Multiprotocol, Pin-Selectable Data Interface Chipset

## MAX13175E Typical Operating Characteristics

( $V_{CC} = +3.3V$ ,  $V_L = +1.8V$ ,  $T_A = +25^\circ C$ , unless otherwise noted.)



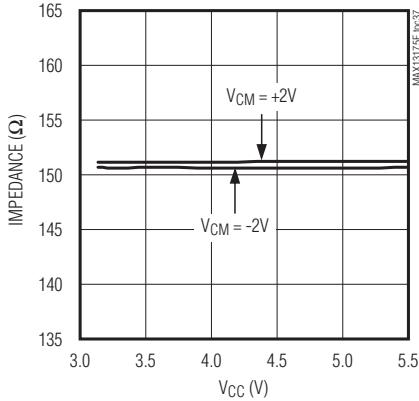
# Multiprotocol, Pin-Selectable Data Interface Chipset

## MAX13175E Typical Operating Characteristics (continued)

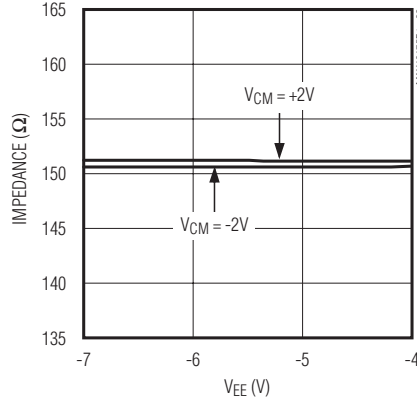
( $V_{CC} = +3.3V$ ,  $V_L = +1.8V$ ,  $T_A = +25^\circ C$ , unless otherwise noted.)

MAX13171E/MAX13173E/MAX13175E

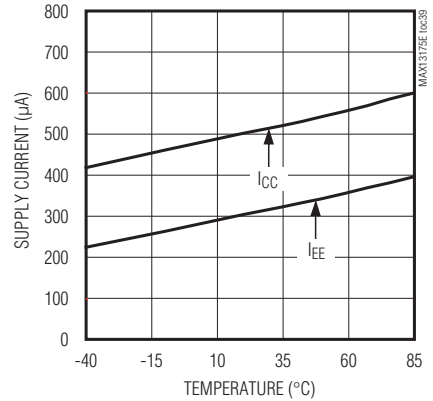
**V.35 COMMON-MODE IMPEDANCE vs. SUPPLY VOLTAGE**



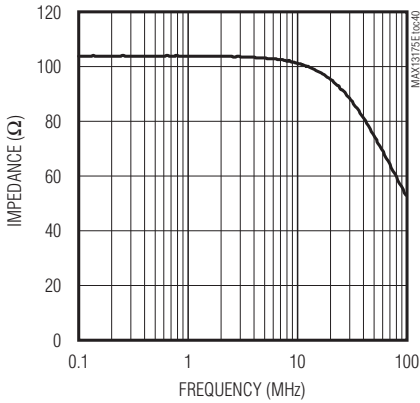
**V.35 COMMON-MODE IMPEDANCE vs. SUPPLY VOLTAGE ( $V_{EE}$ )**



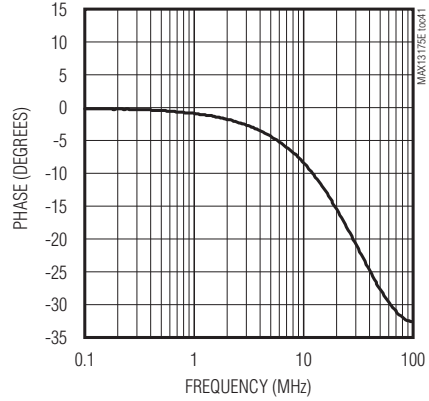
**HI-Z MODE SUPPLY CURRENT vs. TEMPERATURE**



**V.11 OR V.35 DIFFERENTIAL IMPEDANCE MAGNITUDE vs. FREQUENCY**



**V.11 OR V.35 DIFFERENTIAL IMPEDANCE PHASE vs. FREQUENCY**



# Multiprotocol, Pin-Selectable Data Interface Chipset

## MAX13171E Pin Description

PIN	NAME	FUNCTION
1, 2, 6, 30, 31	N.C.	No Connection. Not internally connected.
3, 16	V <sub>CC</sub>	Device Supply Voltage. Bypass V <sub>CC</sub> with a 4.7μF capacitor to ground as close as possible to pin 3.
4	T1IN	Transmitter 1 Logic Input
5	T2IN	Transmitter 2 Logic Input
7	T3IN	Transmitter 3 Logic Input
8	R1OUT	Receiver 1 Logic Output with Internal Pullup to V <sub>L</sub>
9	R2OUT	Receiver 2 Logic Output with Internal Pullup to V <sub>L</sub>
10	R3OUT	Receiver 3 Logic Output with Internal Pullup to V <sub>L</sub>
11	M0	Mode-Select 0 Input with Internal Pullup to V <sub>L</sub>
12	V <sub>L</sub>	Logic-Supply Reference Input. V <sub>L</sub> determines the voltage level of the logic interface. Bypass V <sub>L</sub> with a 0.1μF capacitor to ground as close as possible to the device.
13	M1	Mode-Select 1 Input with Internal Pullup to V <sub>L</sub>
14	M2	Mode-Select 2 Input with Internal Pullup to V <sub>L</sub>
15	DCE/DTE	DCE/DTE Mode-Select Input with Internal Pullup to V <sub>L</sub>
17	R3INB	Receiver 3 Noninverting Input
18	R3INA	Receiver 3 Inverting Input
19, 24, 29, 35	GND	Ground
20	R2INB	Receiver 2 Noninverting Input
21	R2INA	Receiver 2 Inverting Input
22	T3OUTB/R1INB	Transmitter 3 Noninverting Output/Receiver 1 Noninverting Input
23	T3OUTA/R1INA	Transmitter 3 Inverting Output/Receiver 1 Inverting Input
25	T2OUTB	Transmitter 2 Noninverting Output
26	T2OUTA	Transmitter 2 Inverting Output
27	T1OUTB	Transmitter 1 Noninverting Output
28	T1OUTA	Transmitter 1 Inverting Output
32	V <sub>EE</sub>	Charge-Pump Negative Supply Output. Connect a 4.7μF ceramic capacitor from V <sub>EE</sub> to ground as close as possible to the device.
33	C2-	V <sub>EE</sub> Charge-Pump Flying-Capacitor Negative Terminal. Connect a 1μF ceramic capacitor between C2+ and C2-.
34	C2+	V <sub>EE</sub> Charge-Pump Flying-Capacitor Positive Terminal. Connect a 1μF ceramic capacitor between C2+ and C2-.
36	C1-	V <sub>DD</sub> Charge-Pump Flying-Capacitor Negative Terminal. Connect a 1μF ceramic capacitor between C1+ and C1-.
37	C1+	V <sub>DD</sub> Charge-Pump Flying-Capacitor Positive Terminal. Connect a 1μF ceramic capacitor between C1+ and C1-.
38	V <sub>DD</sub>	Charge-Pump Positive-Supply Output. Connect a 4.7μF ceramic capacitor from V <sub>DD</sub> to ground as close as possible to the device.
—	EP	Exposed Pad. Internally connected to V <sub>EE</sub> . Connect to a large V <sub>EE</sub> plane to maximize thermal performance. Not intended as an electrical connection point. Do not share the same plane as the MAX13173E.



# Multiprotocol, Pin-Selectable Data Interface Chipset

## MAX13173E Pin Description

MAX13171E/MAX13173E/MAX13175E

PIN	NAME	FUNCTION
1	T1IN	Transmitter 1 Logic Input
2	V <sub>CC</sub>	Device Supply Voltage. Bypass V <sub>CC</sub> with a 4.7μF capacitor to ground as close as possible to the device.
3	T2IN	Transmitter 2 Logic Input
4	T3IN	Transmitter 3 Logic Input
5	V <sub>L</sub>	Logic-Supply Reference Input. V <sub>L</sub> determines the voltage level of the logic interface. Bypass V <sub>L</sub> with a 0.1μF capacitor to ground, as close as possible to the device.
6	R1OUT	Receiver 1 Logic Output with Internal Pullup to V <sub>L</sub>
7	R2OUT	Receiver 2 Logic Output with Internal Pullup to V <sub>L</sub>
8	R3OUT	Receiver 3 Logic Output with Internal Pullup to V <sub>L</sub>
9	R5OUT/T5IN	Receiver 5 Logic Output/Transmitter 5 Logic Input
10	T4IN	Transmitter 4 Logic Input
11	R4OUT	Receiver 4 Logic Output
12	M0	Mode-Select 0 Input with Internal Pullup to V <sub>L</sub>
13	M1	Mode-Select 1 Input with Internal Pullup to V <sub>L</sub>
14	M2	Mode-Select 2 Input with Internal Pullup to V <sub>L</sub>
15	DCE/DTE	DCE/DTE Mode-Select Input with Internal Pullup to V <sub>L</sub>
16	INVERT	T4/R4 and T5/R5 Select Input with Internal Pullup to V <sub>L</sub> . INVERT reverses the action of DCE/DTE for channels 4 and 5.
17	T4OUTA/R4INA	Transmitter 4 Inverting Output/Receiver 4 Inverting Input
18, 25, 31, 35	GND	Ground
19	R3INB	Receiver 3 Noninverting Input
20	R3INA	Receiver 3 Inverting Input
21	R2INB	Receiver 2 Noninverting Input
22	R2INA	Receiver 2 Inverting Input
23	T3OUTB/R1INB	Transmitter 3 Noninverting Output/Receiver 1 Noninverting Input
24	T3OUTA/R1INA	Transmitter 3 Inverting Output/Receiver 1 Inverting Input
26	T2OUTB	Transmitter 2 Noninverting Output
27	T2OUTA	Transmitter 2 Inverting Output
28	T1OUTB	Transmitter 1 Noninverting Output
29	T1OUTA	Transmitter 1 Inverting Output
30	T5OUTA/R5INA	Transmitter 5 Inverting Output/Receiver 5 Inverting Input
32	V <sub>EE</sub>	Charge-Pump Negative-Supply Output. Connect a 4.7μF ceramic capacitor from V <sub>EE</sub> to ground as close as possible to the device.
33	C2-	V <sub>EE</sub> Charge-Pump Flying-Capacitor Negative Terminal. Connect a 1μF ceramic capacitor between C2+ and C2-.
34	C2+	V <sub>EE</sub> Charge-Pump Flying-Capacitor Positive Terminal. Connect a 1μF ceramic capacitor between C2+ and C2-.
36	C1-	V <sub>DD</sub> Charge-Pump Flying-Capacitor Negative Terminal. Connect a 1μF ceramic capacitor between C1+ and C1-.

# Multiprotocol, Pin-Selectable Data Interface Chipset

## MAX13173E Pin Description (continued)

PIN	NAME	FUNCTION
37	C1+	V <sub>DD</sub> Charge-Pump Flying-Capacitor Positive Terminal. Connect a 1μF ceramic capacitor between C1+ and C1-.
38	V <sub>DD</sub>	Charge-Pump Positive-Supply Output. Connect a 4.7μF ceramic capacitor from V <sub>DD</sub> to ground as close as possible to the device.
—	EP	Exposed Pad. Internally connected to V <sub>EE</sub> . Connect to a large V <sub>EE</sub> plane to maximize thermal performance, not intended as an electrical connection point. Does not share the same plane as the MAX13171E.

## MAX13175E Pin Description

PIN	NAME	FUNCTION
1, 38	R1B	Load 1, Node B
2, 3	R1A	Load 1, Node A
4, 5	R2A	Load 2, Node A
6, 7	R2B	Load 2, Node B
8	R2C	Load 2, Center Tap. Leave unconnected.
9, 10	R3A	Load 3, Node A
11, 12	R3B	Load 3, Node B
13, 18	GND	Ground
14	R3C	Load 3, Center Tap. Leave unconnected.
15	V <sub>L</sub>	Logic-Supply Reference Input. V <sub>L</sub> determines the voltage level of the logic interface.
16	V <sub>EE</sub>	Negative Supply Voltage. Bypass V <sub>EE</sub> to GND with a 0.1μF capacitor. Connect to V <sub>EE</sub> from the MAX13173E.
17	V <sub>DD</sub>	Positive Supply Voltage. Bypass V <sub>DD</sub> to GND with a 0.1μF capacitor. Connect to V <sub>DD</sub> from the MAX13173E.
19	V <sub>CC</sub>	Supply Voltage. Bypass V <sub>CC</sub> to GND with a 0.1μF capacitor as close as possible to the device.
20, 21	R4B	Load 4, Node B
22, 23	R4A	Load 4, Node A
24, 25	R5B	Load 5, Node B
26, 27	R5A	Load 5, Node A
28, 29	R6A	Load 6, Node A
30, 31	R6B	Load 6, Node B
32	DCE/DTE	DCE/DTE Mode-Select Input
33	$\overline{\text{LATCH}}$	Latch Signal Input. When $\overline{\text{LATCH}}$ is low, the input latches are transparent. When $\overline{\text{LATCH}}$ is high, the data at the mode-select inputs are latched.
34	M2	Mode-Select Input 2
35	M1	Mode-Select Input 1
36	M0	Mode-Select Input 0
37	R1C	Load 1, Center Tap. Leave unconnected.
—	EP	Exposed Pad. Internally connected to V <sub>EE</sub> . Connect to a large V <sub>EE</sub> plane to maximize thermal performance, not intended as an electrical connection point. If V <sub>EE</sub> is powered from the MAX13173E's V <sub>EE</sub> , planes can be shared.

# Multiprotocol, Pin-Selectable Data Interface Chipset

## Test Circuits

MAX13171E/MAX13173E/MAX13175E

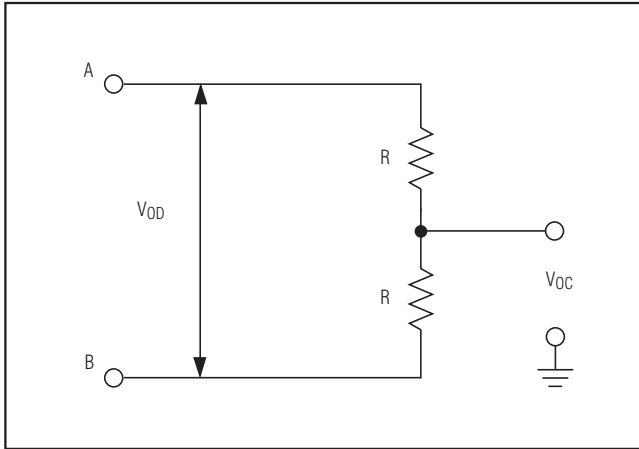


Figure 1. V.11 DC Test Circuit

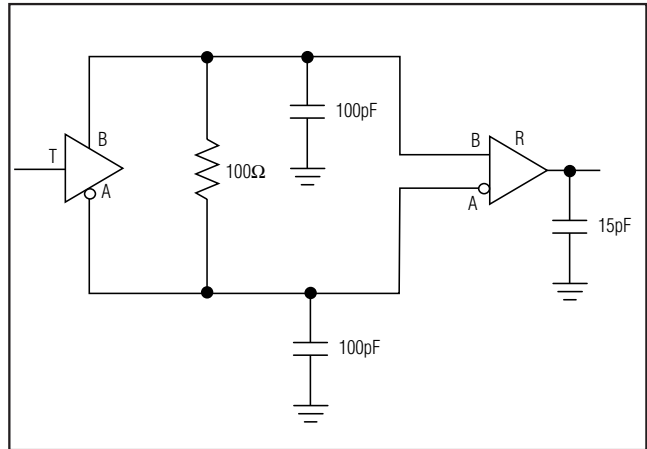


Figure 2. V.11 AC Test Circuit

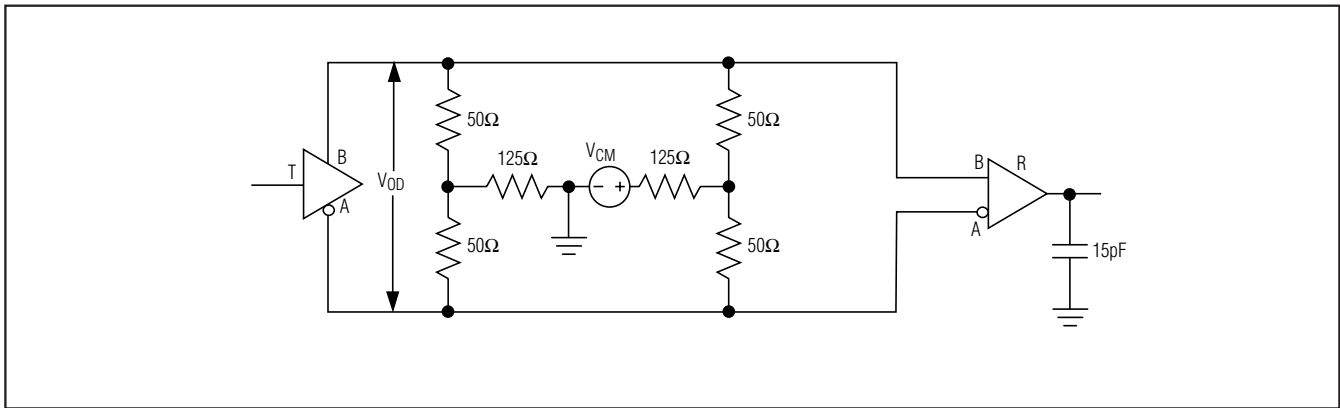


Figure 3. V.35 Transmitter/Receiver Test Circuit

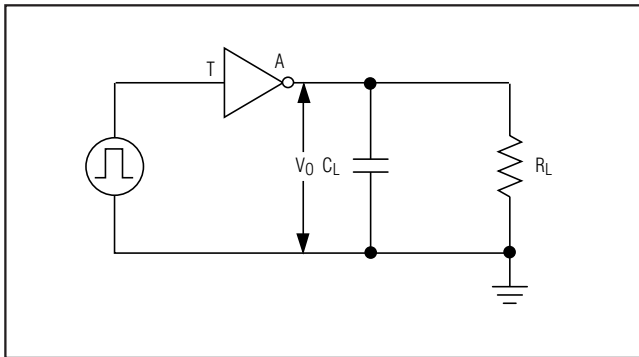


Figure 4. V.10/V.28 Transmitter Test Circuit

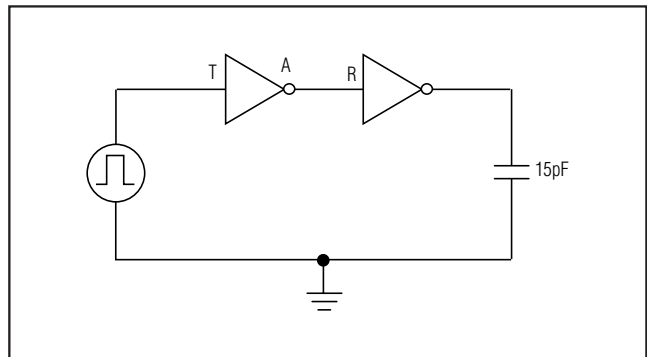


Figure 5. V.10/V.28 Receiver Test Circuit

# Multiprotocol, Pin-Selectable Data Interface Chipset

## Timing Diagrams

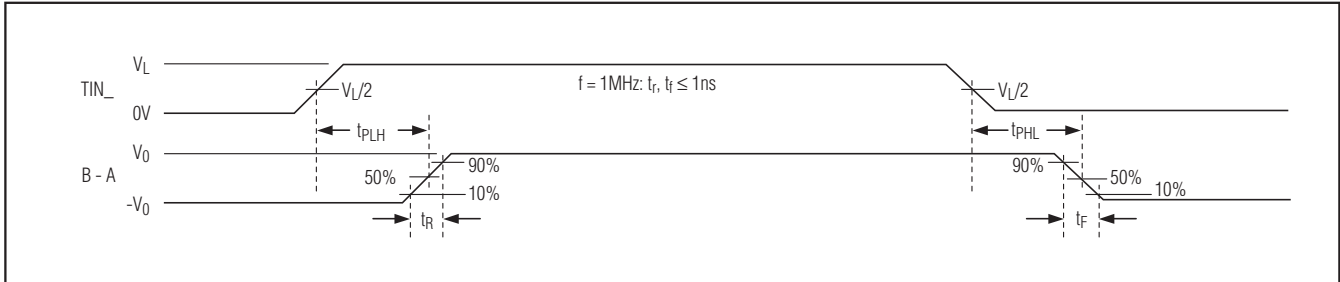


Figure 6. V.11 Transmitter Propagation Delays

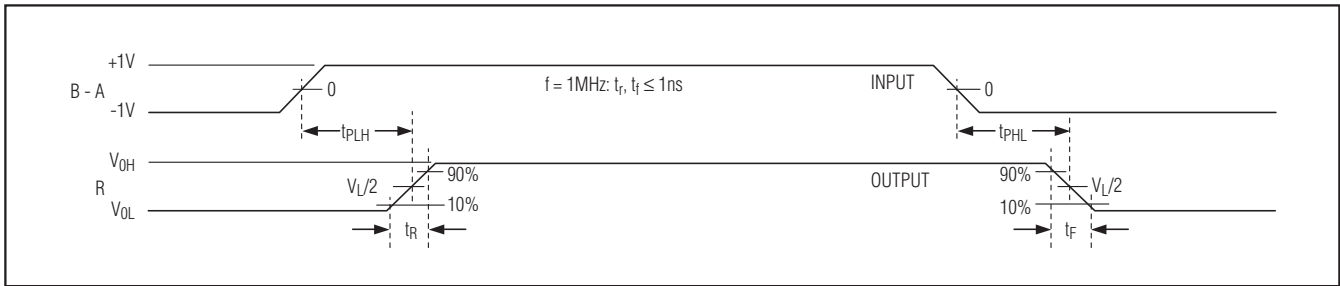


Figure 7. V.11 Receiver Propagation Delays

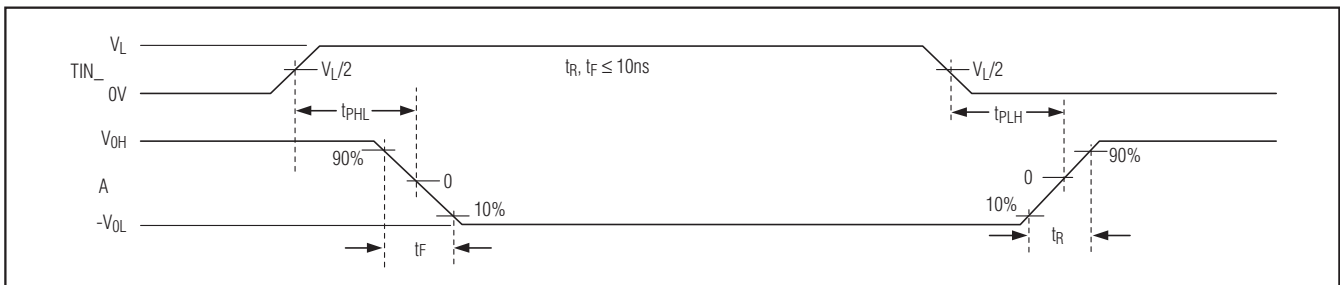


Figure 8. V.10 Transmitter Propagation Delay

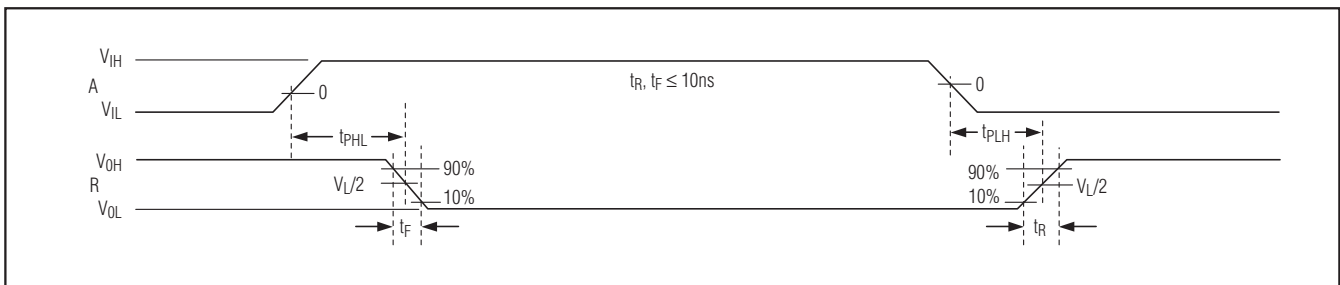


Figure 9. V.10 Receiver Propagation Delay

# Multiprotocol, Pin-Selectable Data Interface Chipset

## Timing Diagrams (continued)

MAX13171E/MAX13173E/MAX13175E

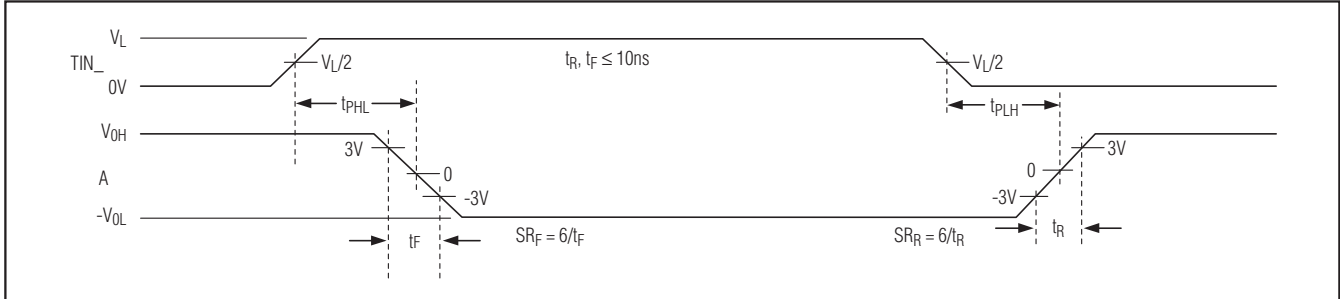


Figure 10. V.28 Transmitter Propagation Delay

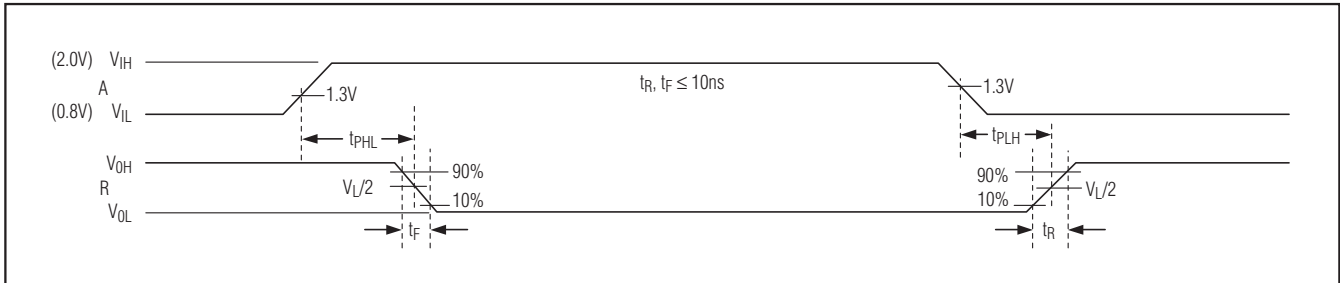


Figure 11. V.28 Receiver Propagation Delay

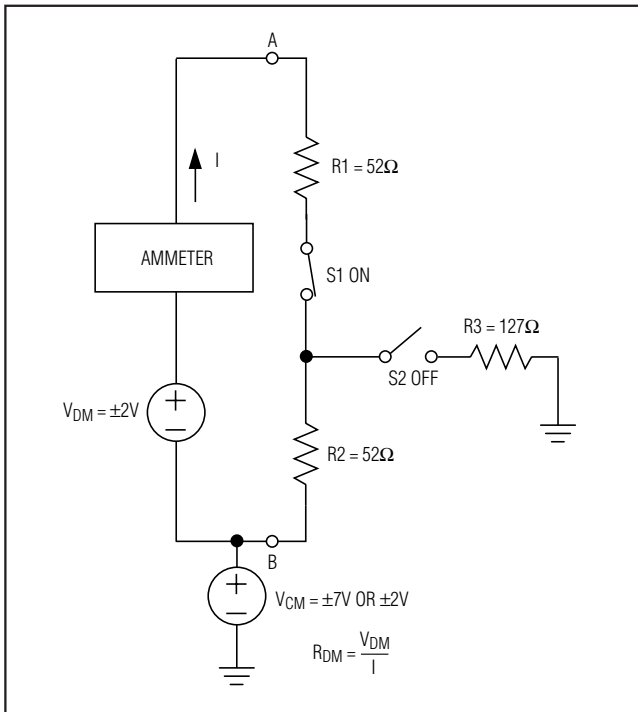


Figure 12. V.11 or V.35 Differential Impedance Measurement

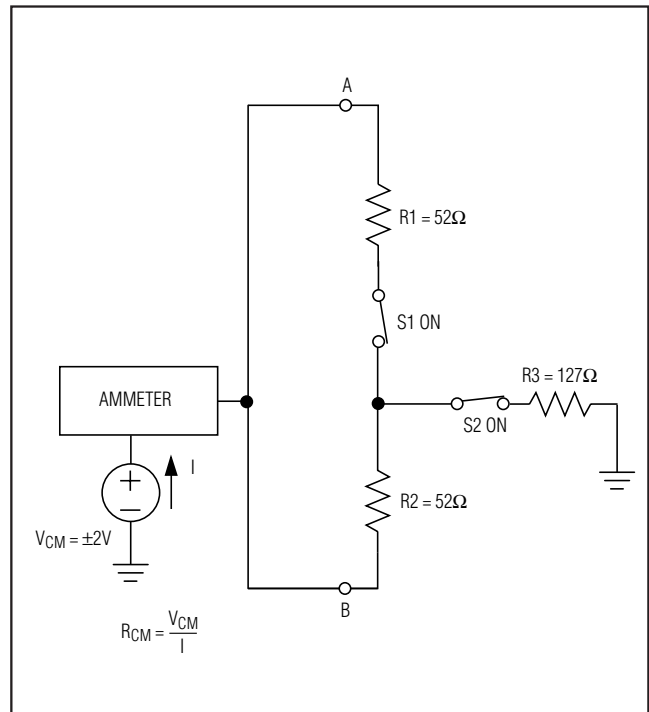


Figure 13. V.35 Common-Mode Impedance Measurement

# Multiprotocol, Pin-Selectable Data Interface Chipset

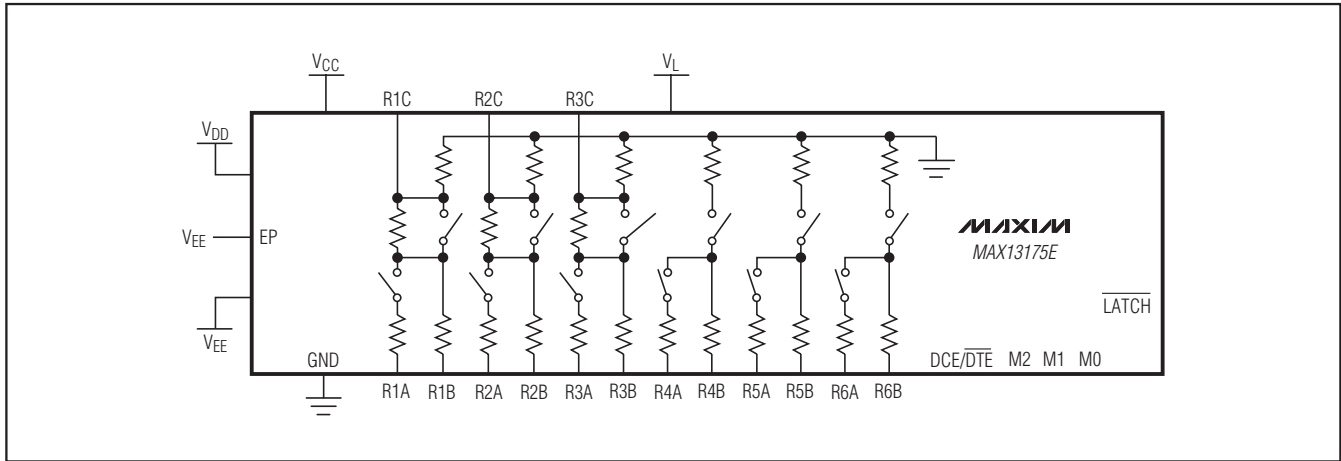


Figure 14. MAX13175E Block Diagram

## Detailed Description

The MAX13171E/MAX13173E/MAX13175E form a complete pin-selectable DTE or DCE interface port that supports the V.28 (RS-232), V.10/V.11 (RS-449/V.36, RS-530, RS-530A, X.21), and V.35 protocols. The MAX13171E transceivers carry the high-speed clock and data signals, while the MAX13173E transceivers carry serial-interface control signaling. The MAX13171E can be terminated by the MAX13175E pin-selectable resistor termination network, or by a discrete termination network. The MAX13171E/MAX13173E feature a low supply current, no-cable mode, true fail-safe operation, and thermal-shutdown circuitry. Thermal shutdown protects the drivers against excessive power dissipation. When activated, the thermal-shutdown circuitry places the driver and receiver outputs into a high-impedance state.

The MAX13171E is a three-driver/three-receiver, multiprotocol transceiver that operates from a single +3.135V to +5.5V supply. The MAX13173E is a five-driver/five-receiver multiprotocol transceiver that operates from a single +3.135V to +5.5V supply. The MAX13175E contains six pin-selectable multiprotocol cable termination networks (Figure 14). Each network is capable of terminating V.11 (RS-422, RS-530, RS-530A, RS-449, V.36 and X.21) with a 100Ω differential load, V.35 with a T-network load, or V.28 (RS-232) and V.10 (RS-423) with an open-circuit load for use with transceivers having on-chip termination. The terminations and protocols are pin selectable. The MAX13175E replaces discrete resistor termination networks and

expensive relays required for multiprotocol termination, saving space and cost.

## Dual Charge-Pump Voltage Converter

The MAX13171E/MAX13173E have internal-regulated dual charge pumps that provide positive and negative output voltages from a single supply. The charge pump operates in discontinuous mode. If the output voltage is less than the regulated voltage, the charge pump is enabled. If the output voltage exceeds the regulated voltage, the charge pump is disabled. Each charge pump requires flying capacitors (C1, C2), and reservoir capacitors (C3, C5), to generate the VDD and VEE supplies. Figure 15 shows the charge-pump connections.

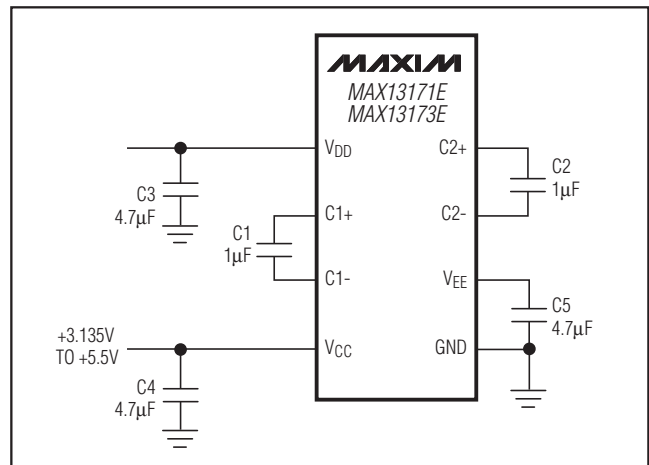


Figure 15. Charge Pump

# Multiprotocol, Pin-Selectable Data Interface Chipset

MAX13171E/MAX13173E/MAX13175E

## Fail-Safe

The MAX13171E/MAX13173E guarantee a logic-high receiver output when the receiver inputs are open or shorted, or when they are connected to a terminated transmission line with all drivers disabled by setting the receiver threshold between -50mV and -200mV in the V.11 and V.35 modes. If the differential receiver input voltage (B - A) is  $\geq -50\text{mV}$ , R\_OUT is logic-high. If (B - A) is  $\leq -200\text{mV}$ , R\_OUT is logic-low. In the case of a terminated bus with all transmitters disabled, the receiver's differential input voltage is pulled to zero by the termination. This results in a logic-high with a 50mV minimum noise margin.

The V.10 receiver threshold is set between 50mV and 250mV. If the V.10 receiver input voltage is less than or equal to 50mV, R\_OUT is logic-high. The V.28 receiver threshold is set between 0.8V and 2.0V. If the receiver input voltage is less than or equal to 0.8V, R\_OUT is logic-high. In the case of a terminated bus with transmitters disabled, the receiver's input voltage is pulled to GND by the termination.

## Mode Selection

The mode-select inputs M0, M1, and M2 determine which interface protocol is selected (Table 1 for the MAX13171E, Table 2 for the MAX13173E). The state of the DCE/DTE input determines whether the transceivers are configured as a DTE serial port or a DCE serial port. The INVERT input on the MAX13173E changes the DCE/DTE functionality regarding T4/T5 and R4/R5 only. M0, M1, M2, INVERT, and DCE/DTE are internally pulled up to V<sub>L</sub> to ensure logic-high if left unconnected. If the M0, M1, and M2 mode inputs are all unconnected, the MAX13171E/MAX13173E enter no-cable mode.

The MAX13175E mode select inputs and DCE/DTE input do not have an internal pullup to V<sub>L</sub>. They are pulled logic-high if their mode-select inputs are tied to the MAX13171E/MAX13173E's mode select inputs.

## Termination Modes

The termination networks in the MAX13175E can be set to one of three modes, V.11, V.35, or high impedance.

**Table 1. MAX13171E Mode Selection**

MAX13171E MODE NAME	M2	M1	M0	DCE/DTE	T1	T2	T3	R1	R2	R3
Not Used (Default V.11)	0	0	0	0	V.11	V.11	Z	V.11	V.11	V.11
RS-530A	0	0	1	0	V.11	V.11	Z	V.11	V.11	V.11
RS-530	0	1	0	0	V.11	V.11	Z	V.11	V.11	V.11
X.21	0	1	1	0	V.11	V.11	Z	V.11	V.11	V.11
V.35	1	0	0	0	V.35	V.35	Z	V.35	V.35	V.35
RS-449/V.36	1	0	1	0	V.11	V.11	Z	V.11	V.11	V.11
V.28/RS-232	1	1	0	0	V.28	V.28	Z	V.28	V.28	V.28
No Cable	1	1	1	0	Z	Z	Z	Z	Z	Z
Not Used (Default V.11)	0	0	0	1	V.11	V.11	V.11	Z	V.11	V.11
RS-530A	0	0	1	1	V.11	V.11	V.11	Z	V.11	V.11
RS-530	0	1	0	1	V.11	V.11	V.11	Z	V.11	V.11
X.21	0	1	1	1	V.11	V.11	V.11	Z	V.11	V.11
V.35	1	0	0	1	V.35	V.35	V.35	Z	V.35	V.35
RS-449/V.36	1	0	1	1	V.11	V.11	V.11	Z	V.11	V.11
V.28/RS-232	1	1	0	1	V.28	V.28	V.28	Z	V.28	V.28
No Cable	1	1	1	1	Z	Z	Z	Z	Z	Z

# Multiprotocol, Pin-Selectable Data Interface Chipset

**Table 2. MAX13173E Mode Selection**

PROTOCOL	M2	M1	M0	DCE/ DTE	INVERT	T1	T2	T3	R1	R2	R3	T4	R4	T5	R5
Not Used (Default V.11)	0	0	0	0	0	V.11	V.11	Z	V.11	V.11	V.11	Z	V.10	Z	V.10
RS-530A	0	0	1	0	0	V.11	V.10	Z	V.11	V.10	V.11	Z	V.10	Z	V.10
RS-530	0	1	0	0	0	V.11	V.11	Z	V.11	V.11	V.11	Z	V.10	Z	V.10
X.21	0	1	1	0	0	V.11	V.11	Z	V.11	V.11	V.11	Z	V.10	Z	V.10
V.35	1	0	0	0	0	V.28	V.28	Z	V.28	V.28	V.28	Z	V.28	Z	V.28
RS-449/V.36	1	0	1	0	0	V.11	V.11	Z	V.11	V.11	V.11	Z	V.10	Z	V.10
V.28/RS-232	1	1	0	0	0	V.28	V.28	Z	V.28	V.28	V.28	Z	V.28	Z	V.28
No Cable	1	1	1	0	0	Z	Z	Z	Z	Z	Z	Z	Z	Z	Z
Not Used (Default V.11)	0	0	0	0	1	V.11	V.11	Z	V.11	V.11	V.11	V.10	Z	V.10	Z
RS-530A	0	0	1	0	1	V.11	V.10	Z	V.11	V.10	V.11	V.10	Z	V.10	Z
RS-530	0	1	0	0	1	V.11	V.11	Z	V.11	V.11	V.11	V.10	Z	V.10	Z
X.21	0	1	1	0	1	V.11	V.11	Z	V.11	V.11	V.11	V.10	Z	V.10	Z
V.35	1	0	0	0	1	V.28	V.28	Z	V.28	V.28	V.28	V.28	Z	V.28	Z
RS-449/V.36	1	0	1	0	1	V.11	V.11	Z	V.11	V.11	V.11	V.10	Z	V.10	Z
V.28/RS-232	1	1	0	0	1	V.28	V.28	Z	V.28	V.28	V.28	V.28	Z	V.28	Z
No Cable	1	1	1	0	1	Z	Z	Z	Z	Z	Z	Z	Z	Z	Z
Not Used (Default V.11)	0	0	0	1	0	V.11	V.11	V.11	Z	V.11	V.11	V.10	Z	V.10	Z
RS-530A	0	0	1	1	0	V.11	V.10	V.11	Z	V.10	V.11	V.10	Z	V.10	Z
RS-530	0	1	0	1	0	V.11	V.11	V.11	Z	V.11	V.11	V.10	Z	V.10	Z
X.21	0	1	1	1	0	V.11	V.11	V.11	Z	V.11	V.11	V.10	Z	V.10	Z
V.35	1	0	0	1	0	V.28	V.28	V.28	Z	V.28	V.28	V.28	Z	V.28	Z
RS-449/V.36	1	0	1	1	0	V.11	V.11	V.11	Z	V.11	V.11	V.10	Z	V.10	Z
V.28/RS-232	1	1	0	1	0	V.28	V.28	V.28	Z	V.28	V.28	V.28	Z	V.28	Z
No Cable	1	1	1	1	0	Z	Z	Z	Z	Z	Z	Z	Z	Z	V.10
Not Used (Default V.11)	0	0	0	1	1	V.11	V.11	V.11	Z	V.11	V.11	Z	V.10	Z	V.10
RS-530A	0	0	1	1	1	V.11	V.10	V.11	Z	V.10	V.11	Z	V.10	Z	V.10
RS-530	0	1	0	1	1	V.11	V.11	V.11	Z	V.11	V.11	Z	V.10	Z	V.10
X.21	0	1	1	1	1	V.11	V.11	V.11	Z	V.11	V.11	Z	V.10	Z	V.10
V.35	1	0	0	1	1	V.28	V.28	V.28	Z	V.28	V.28	Z	V.28	Z	V.28
RS-449/V.36	1	0	1	1	1	V.11	V.11	V.11	Z	V.11	V.11	Z	V.10	Z	V.10
V.28/RS-232	1	1	0	1	1	V.28	V.28	V.28	Z	V.28	V.28	Z	V.28	Z	V.28
No Cable	1	1	1	1	1	Z	Z	Z	Z	Z	Z	Z	Z	Z	Z



# Multiprotocol, Pin-Selectable Data Interface Chipset

MAX13171E/MAX13173E/MAX13175E

As shown in Figure 16, in V.11 mode, switch S1 is closed and switch S2 is open, presenting 104Ω across terminals A and B. In V.35 mode, switches S1 and S2 are both closed, presenting a T-network with 104Ω differential impedance and 153Ω common-mode impedance. In high-impedance mode, switches S1 and S2 are both open, presenting a high impedance across terminals A and B suitable for V.28 and V.10 modes.

The state of the MAX13175E's mode-select inputs, M0, M1, M2, and DCE/DTE determines the mode of each of the six termination networks. Table 3 shows a cross-reference of termination mode and select input state for each of the six termination networks within the MAX13175E.

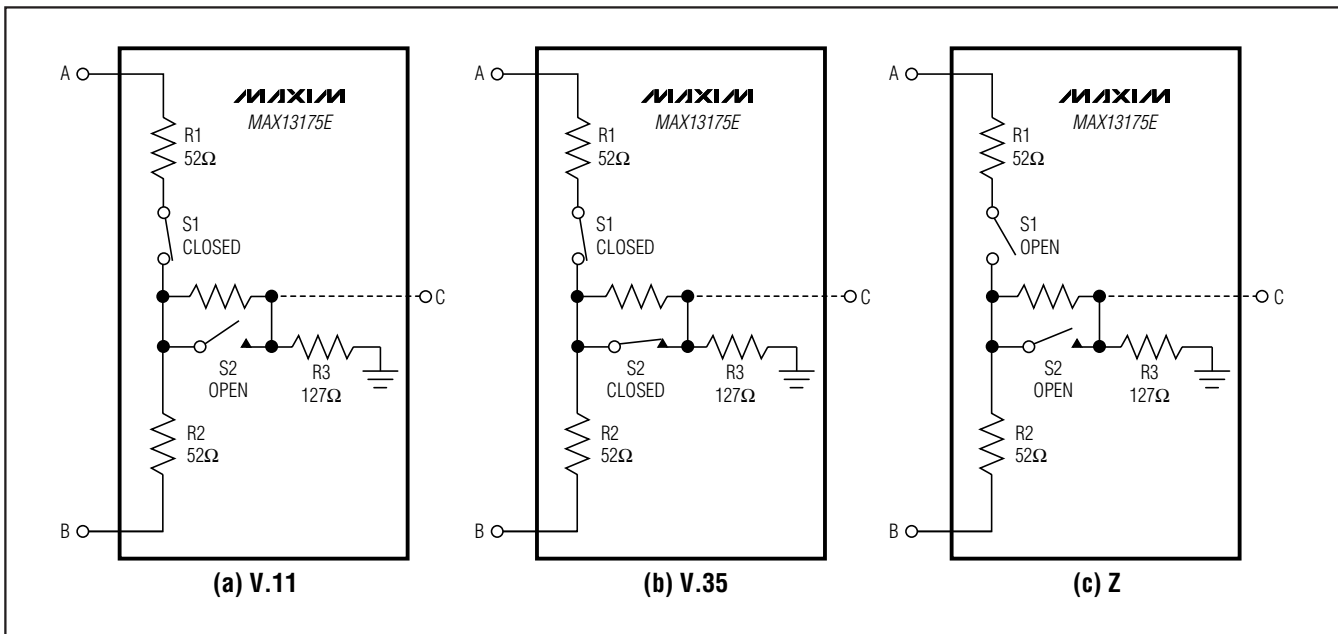


Figure 16. Termination Modes

Table 3. MAX13175E Termination Mode Selection

PROTOCOL	DCE/DTE	M2	M1	M0	R1	R2	R3	R4	R5	R6
V.10/RS-423	0	0	0	0	Z	Z	Z	Z	Z	Z
RS-530A	0	0	0	1	Z	Z	Z	V.11	V.11	V.11
RS-530	0	0	1	0	Z	Z	Z	V.11	V.11	V.11
X.21	0	0	1	1	Z	Z	Z	V.11	V.11	V.11
V.35	0	1	0	0	V.35	V.35	Z	V.35	V.35	V.35
RS-449/V.36	0	1	0	1	Z	Z	Z	V.11	V.11	V.11
V.28/RS-232	0	1	1	0	Z	Z	Z	Z	Z	Z
No Cable	0	1	1	1	V.11	V.11	V.11	V.11	V.11	V.11
V.10/RS-423	1	0	0	0	Z	Z	Z	Z	Z	Z
RS-530A	1	0	0	1	Z	Z	Z	Z	V.11	V.11
RS-530	1	0	1	0	Z	Z	Z	Z	V.11	V.11
X.21	1	0	1	1	Z	Z	Z	Z	V.11	V.11
V.35	1	1	0	0	V.35	V.35	V.35	Z	V.35	V.35
RS-449/V.36	1	1	0	1	Z	Z	Z	Z	V.11	V.11
V.28/RS-232	1	1	1	0	Z	Z	Z	Z	Z	Z
No Cable	1	1	1	1	V.11	V.11	V.11	V.11	V.11	V.11

# Multiprotocol, Pin-Selectable Data Interface Chipset

## No-Cable Mode

The MAX13171E/MAX13173E enter no-cable mode when the mode-select inputs are left unconnected or connected high ( $M0 = M1 = M2 = 1$ ). The receiver outputs enter a high-impedance state in no-cable mode, allowing these output lines to be shared with other receiver outputs (the receiver outputs have an internal pullup resistor to pull the outputs high if not driven). Also, in no-cable mode, the transmitter outputs enter a high-impedance state, so these output lines can be shared with other devices.

The MAX13175E enters no-cable mode when the mode select inputs, M0, M1, and M2 are connected high. In no-cable mode, all six termination networks are placed in V.11 mode, with S1 closed and S2 open.

## V<sub>L</sub> Logic Supply

The MAX13171E/MAX13173E/MAX13175E include a V<sub>L</sub> logic supply that allows user-defined interface logic-voltage levels referenced to V<sub>L</sub>. V<sub>L</sub> can go down to +1.62V and up to V<sub>CC</sub>. All logic inputs and outputs are referred to V<sub>L</sub>.

## Data Rate

The MAX13171E/MAX13173E/MAX13175E support a maximum data rate of 40Mbps in RS-449/V.36, RS-530, RS-530A, X.21, V.35 if only one of the MAX13171E high-speed transceivers is operated at the maximum data rate. If two high-speed transceivers operate simultaneously, the maximum data rate is 20Mbps.

## Applications Information

### Capacitor Selection

The capacitors used for the charge pumps, as well as for supply bypassing, must have a low equivalent series resistance (ESR), low inductance (ESL), and low temperature coefficient. Multilayer ceramic capacitors with an X7R dielectric offer the best combination of performance, size, and cost. The flying capacitors (C1, C2) should have a value of 1μF, while the bypass capacitor (C4) and reservoir capacitors (C3, C5) should have a

minimum value of 4.7μF (Figure 15). To reduce the ripple present on the transmitter outputs, capacitors C3, C4, and C5 can be increased. The values of C1 and C2 should not be increased.

### Cable Mode-Select Application

A cable-selectable multiprotocol interface is shown in Figure 17. The mode control lines M0, M1, and DCE/DTE are wired to the DB-25 connector. To select the serial interface mode, the appropriate combination of M0, M1, and DCE/DTE are grounded within the cable wiring. The control lines that are not grounded are pulled high by the internal pullups on the MAX13171E/MAX13173E. The serial interface protocol of the MAX13171E/MAX13173E/MAX13175E is selected based on the cable that is connected to the DB-25 interface.

### V.10 (RS-423) Interface (MAX13173E Only)

The V.10 interface (Figure 18) is an unbalanced single-ended interface capable of driving a 450Ω load. The V.10 driver generates a minimum V<sub>O</sub> voltage of ±4V across A' and C' when unloaded, and a minimum voltage of 0.9 x V<sub>O</sub> when loaded with 450Ω. The V.10 receiver has a single-ended input and does not reject common-mode differences between C and C'. The V.10 receiver-input trip threshold is defined between +50mV and +250mV with input impedance characteristic shown in Figure 19.

The MAX13173E V.10 mode receiver has a threshold between +50mV and +250mV. To ensure that the receiver has proper fail-safe operation, see the *Fail-Safe* section. To aid in rejecting system noise, the MAX13173E V.10 receiver has a typical hysteresis of 25mV. Switch S3 in Figures 20a and 20b is open in V.10 mode to disable the V.28 5kΩ termination at the receiver input. Switch S4 is closed and switch S5 is open to internally ground the receiver B input.

# Multiprotocol, Pin-Selectable Data Interface Chipset

MAX13171E/MAX13173E/MAX13175E

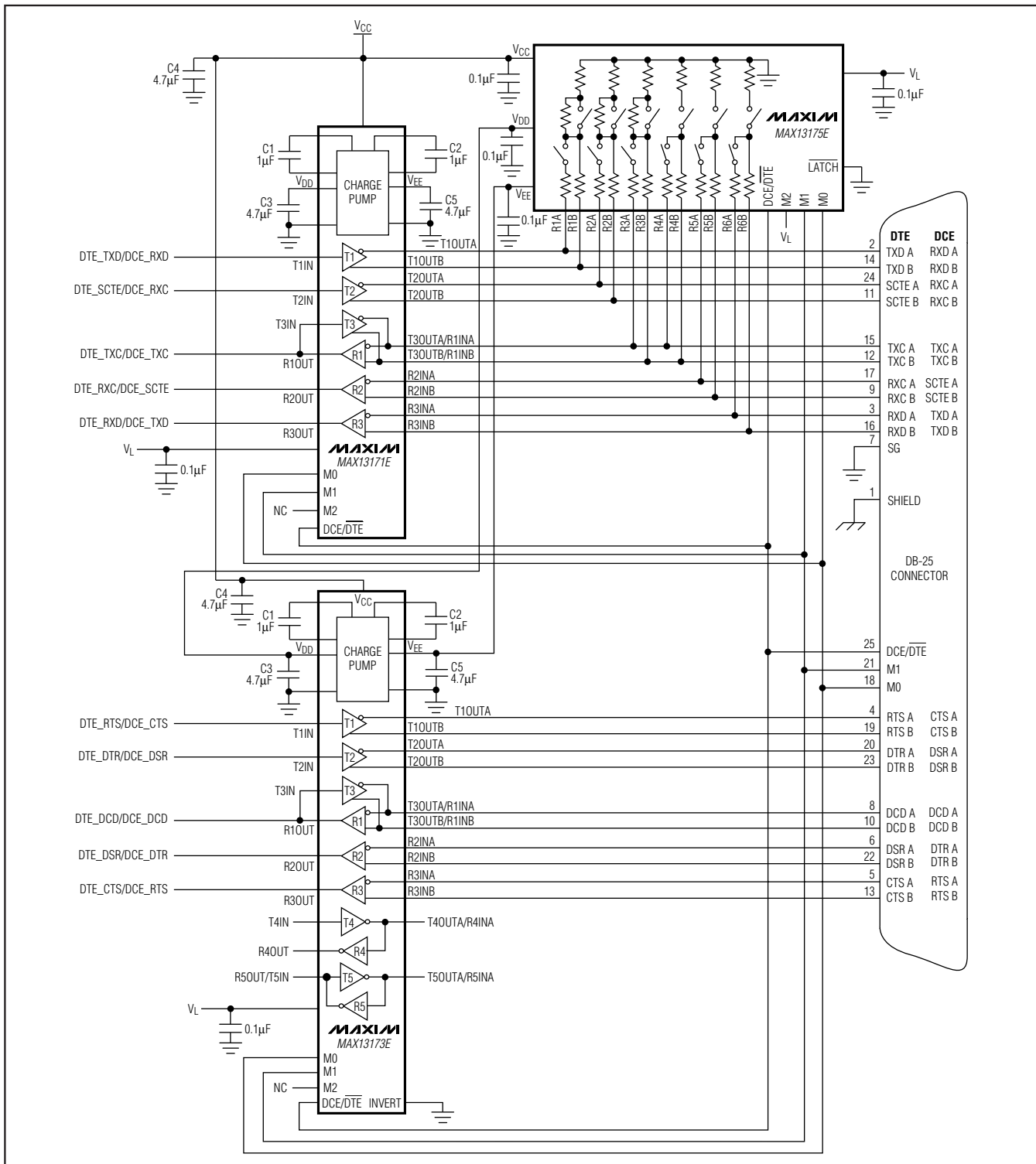


Figure 17. Cable-Selectable Multiprotocol DCE/DTE Port with DB-25 Connector

# Multiprotocol, Pin-Selectable Data Interface Chipset

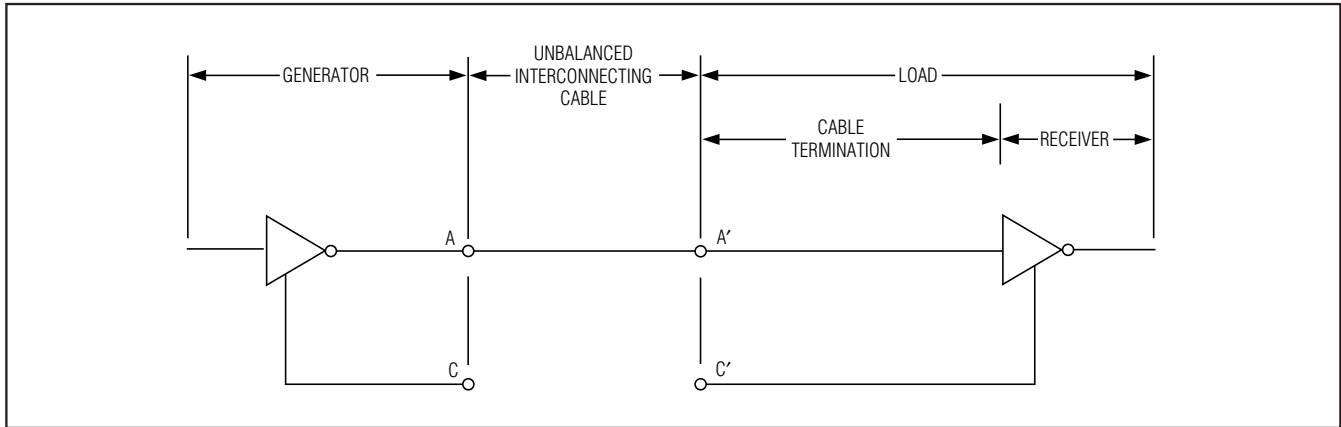


Figure 18. Typical V.10/V.28 Interface

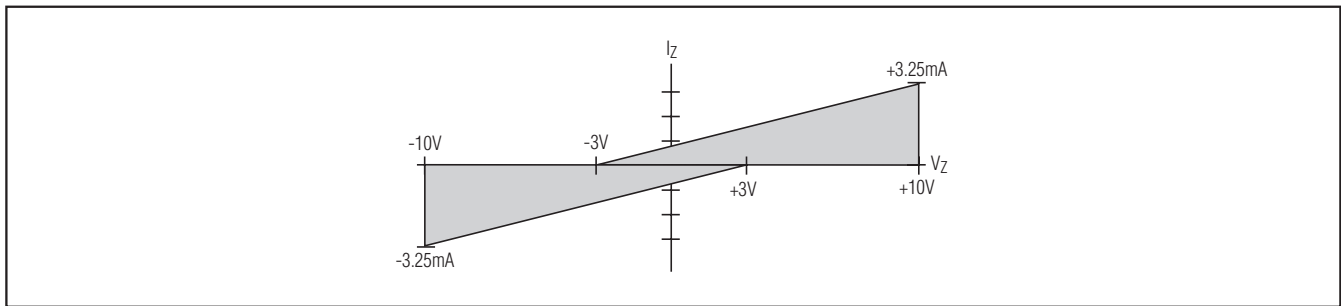


Figure 19. Receiver Input Impedance Curve

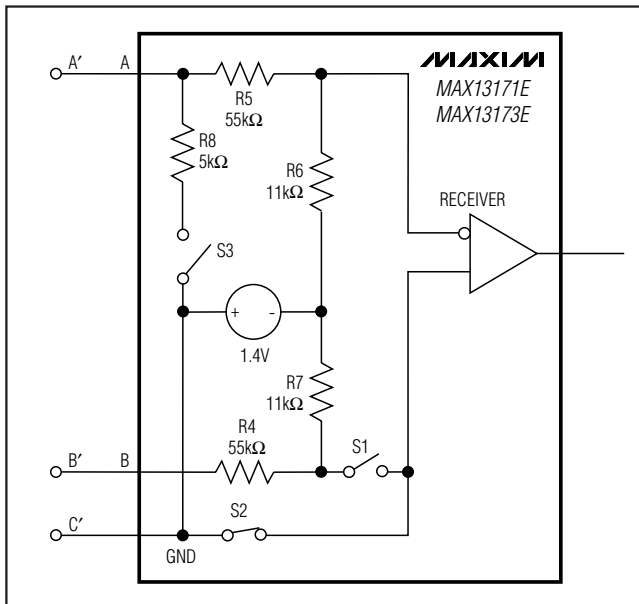


Figure 20a. V.10 Internal Resistance Network for Receivers 1, 2, and 3

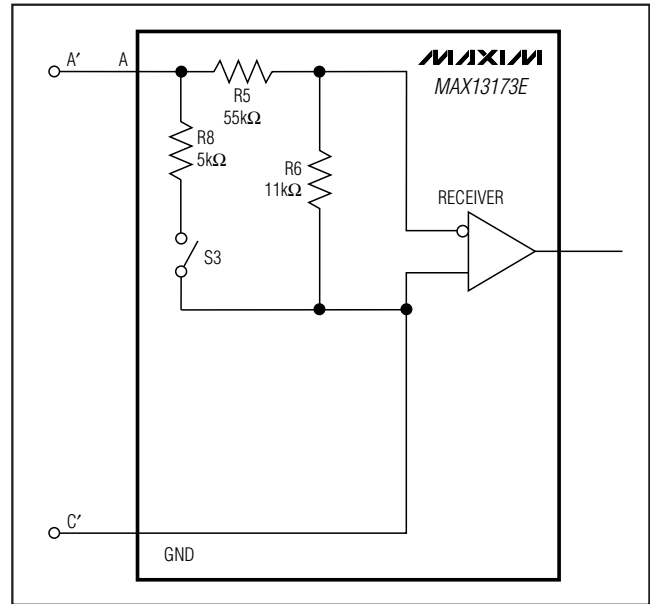


Figure 20b. V.10 Internal Resistance Network for Receivers 4 and 5

# Multiprotocol, Pin-Selectable Data Interface Chipset

MAX13171E/MAX13173E/MAX13175E

## V.11 (RS-422) Interface

As shown in Figure 21, the V.11 protocol is a fully balanced differential interface. The V.11 driver generates a minimum of  $\pm 2V$  between nodes A and B when a  $100\Omega$  (min) resistance is present at the load. The V.11 receiver is sensitive to differential signals of  $\pm 200mV$  at receiver inputs A' and B'. The V.11 receiver input must comply with the impedance curve of Figure 22 and reject common-mode signals developed across the cable (referenced from C to C' in Figure 21) of up to  $\pm 7V$ .

The MAX13171E/MAX13173E V.11 mode receivers have a differential threshold between  $-50mV$  and  $-200mV$  to ensure that the receiver has fail-safe operation (see the *Fail-Safe* section.) To aid in rejecting sys-

tem noise, the MAX13171E/MAX13173E V.11 receivers have a typical hysteresis of  $15mV$ . Switch S3 in Figure 23 is open in V.11 mode to disable the V.28  $5k\Omega$  termination at the inverting receiver input. Because the control signals are slow (60kbps),  $100\Omega$  termination resistance is generally not required for the MAX13173E.

For high-speed data transmission, the V.11 specification recommends terminating the cable at the receiver with a  $100\Omega$  resistor. This resistor, although not required, prevents reflections from corrupting transmitted data. In Figure 23, the MAX13175E is used to terminate the V.11 receiver. Internal to the MAX13175E, S1 is closed and S2 is open to present a  $100\Omega$  minimum differential resistance. The MAX13171E's internal V.28 termination is disabled by opening S3.

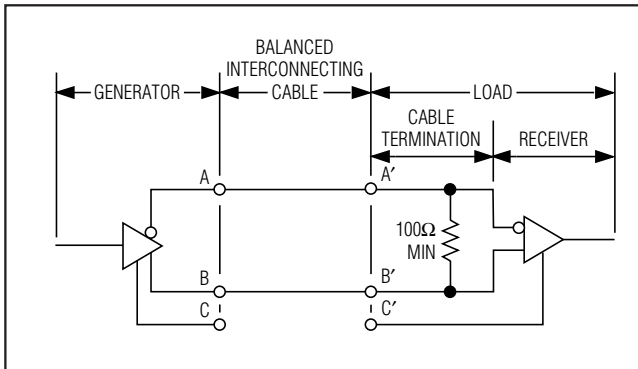


Figure 21. Typical V.11 Interface

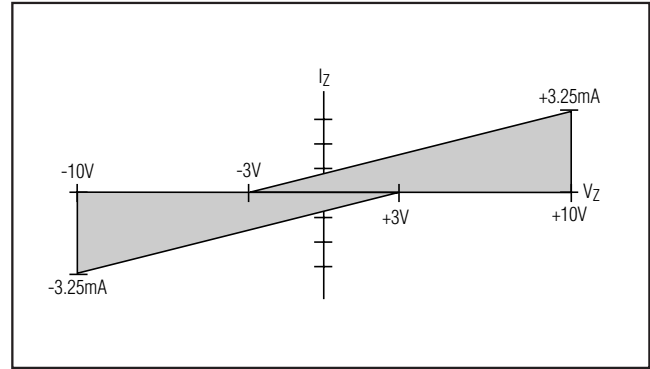


Figure 22. Receiver Input Impedance

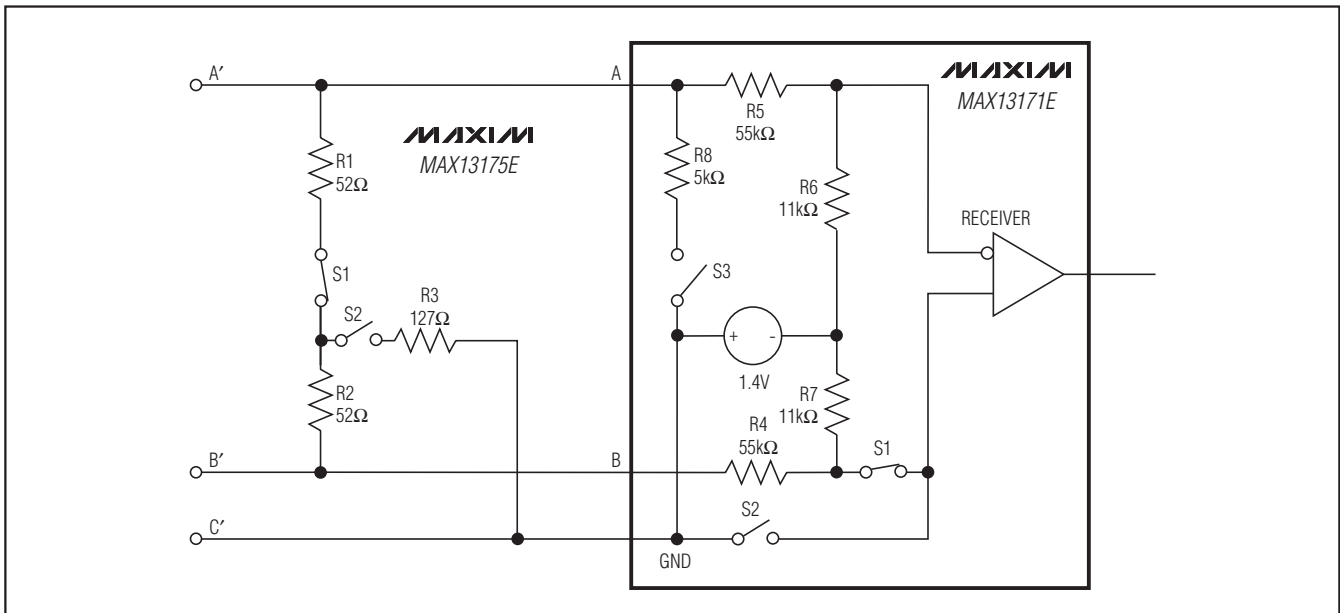


Figure 23. V.11 Termination and Internal Resistance Networks

# Multiprotocol, Pin-Selectable Data Interface Chipset

## V.28 (RS-232) Interface

The V.28 interface is an unbalanced single-ended interface (Figure 18). The V.28 driver generates a minimum of  $\pm 5V$  across the  $3k\Omega$  load impedance between A' and C'. The V.28 receiver has a single-ended input.

The MAX13171E/MAX13173E V.28 mode receivers have a threshold between +0.8V and +2.0V. To aid in rejecting system noise, the MAX13171E/MAX13173E V.28 receivers have a typical hysteresis of 250mV. Switch S3 in Figures 24a and 24b is closed in V.28 mode to enable the  $5k\Omega$  V.28 termination at the receiver inputs.

## V.35 Interface

Figure 25 shows a fully-balanced, differential standard V.35 interface. The generator and the load must both present a  $100\Omega \pm 10\Omega$  differential impedance and a  $150\Omega \pm 15\Omega$  common-mode impedance as shown by the resistive T-networks in Figure 26. The V.35 driver generates a current output ( $\pm 11mA$ , typ) that develops an output voltage of  $\pm 550mV$  across the generator and

load termination networks. The V.35 receiver is sensitive to  $\pm 200mV$  differential signals at receiver inputs A' and B'. The V.35 receiver rejects common-mode signals developed across the cable (referenced from C to C') of up to  $\pm 4V$ , allowing for error-free reception in noisy environments.

In Figure 26, the MAX13175E is used to implement the resistive T-network that is needed to properly terminate the V.35 driver and receiver. Internal to the MAX13175E, S1 and S2 are closed to connect the T-network resistors to the circuit. The V.28 termination resistor (internal to the MAX13171E) is disabled by opening S3 to avoid interference with the T-network impedance.

The V.35 specification allows for  $\pm 4V$  of ground difference between the V.35 generator and V.35 load. The MAX13174E maintains correct termination impedance over this condition.

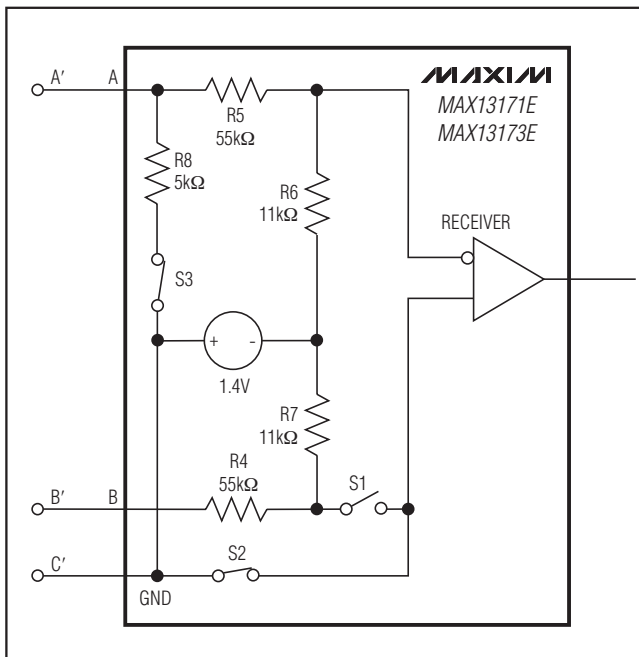


Figure 24a. V.28 Termination and Internal Resistance Network for Receiver 1, 2, and 3

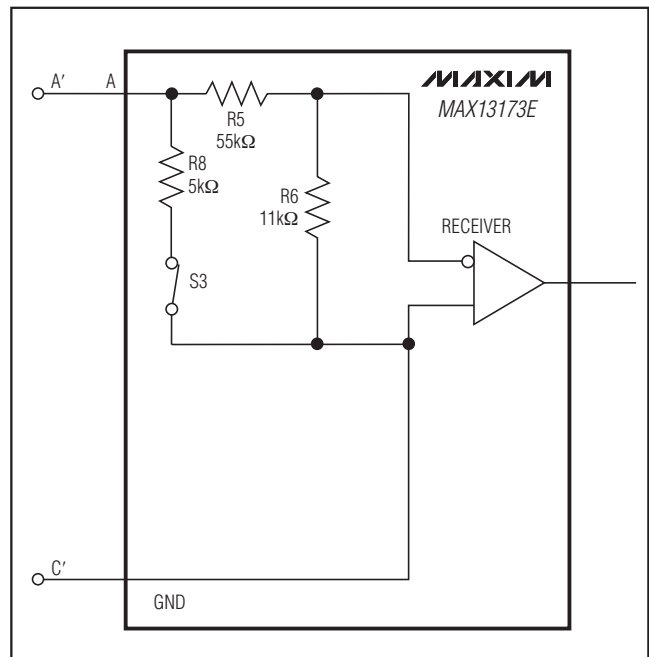


Figure 24b. V.28 Internal Resistance Network for Receiver 4 and 5

# Multiprotocol, Pin-Selectable Data Interface Chipset

MAX13171E/MAX13173E/MAX13175E

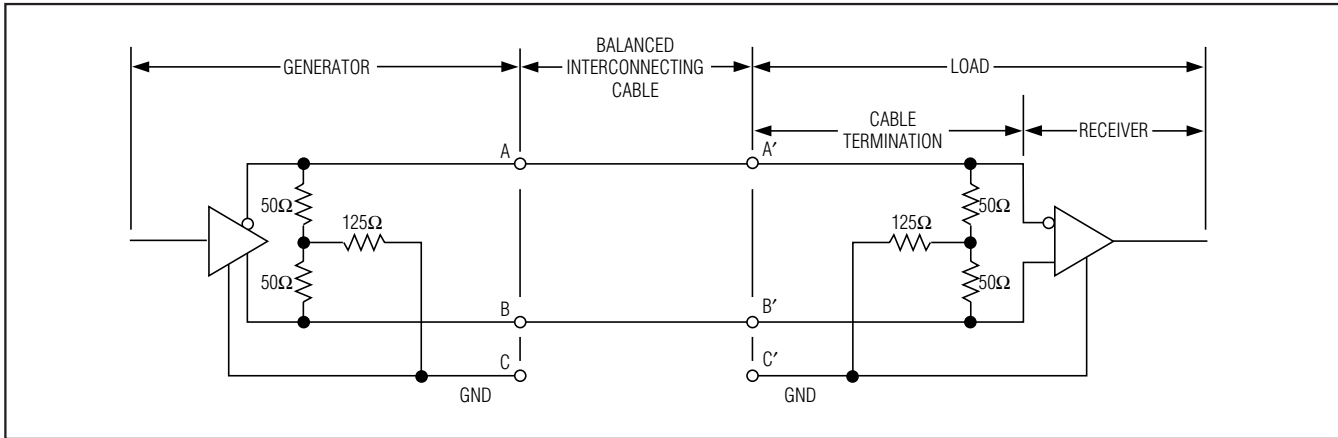


Figure 25. Typical V.35 Interface

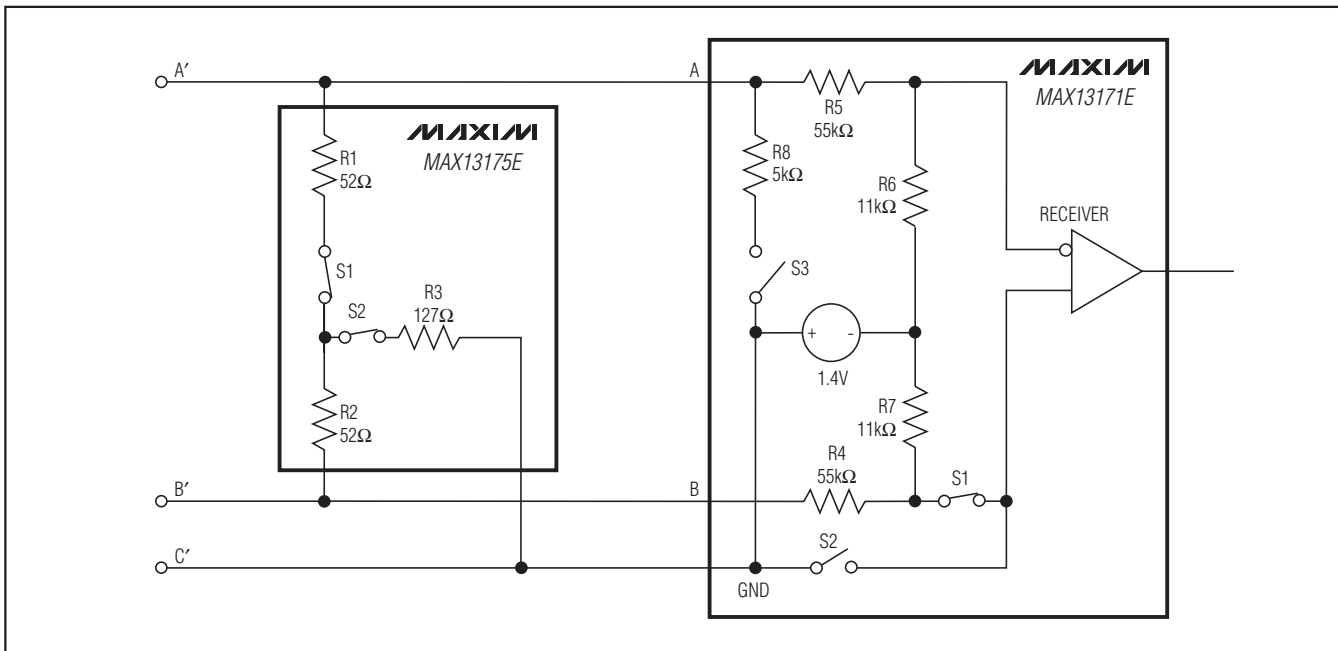


Figure 26. V.35 Termination and Internal Resistance Networks

## DTE/DCE Mode Applications

The MAX13171E/MAX13173E can be hardwired for either DTE or DCE mode in one of two ways: a dedicated DTE or DCE port with an appropriate gender connector, or a port with a connector that can be configured for DTE or DCE operation by rerouting the signals to the MAX13171E and MAX13173E, using a dedicated DTE cable or dedicated DCE cable. The interface mode is selected by logic outputs from the controller or from jumpers to either  $V_L$  or GND on the mode select inputs.

A dedicated DCE port using a DB-25 female connector is shown in Figure 28. Figure 29 illustrates a dedicated DTE port using a DB-25 male connector.

Figure 27 shows an application circuit with one common DB-25 connector that can be configured for either DTE or DCE mode. The configuration requires separate cables for proper signal routing in DTE or DCE operation. Figure 27 illustrates a DCE or DTE controller-selectable interface. The DCE/DTE and INVERT inputs switch the port's mode of operation (Tables 1, 2).

# Multiprotocol, Pin-Selectable Data Interface Chipset

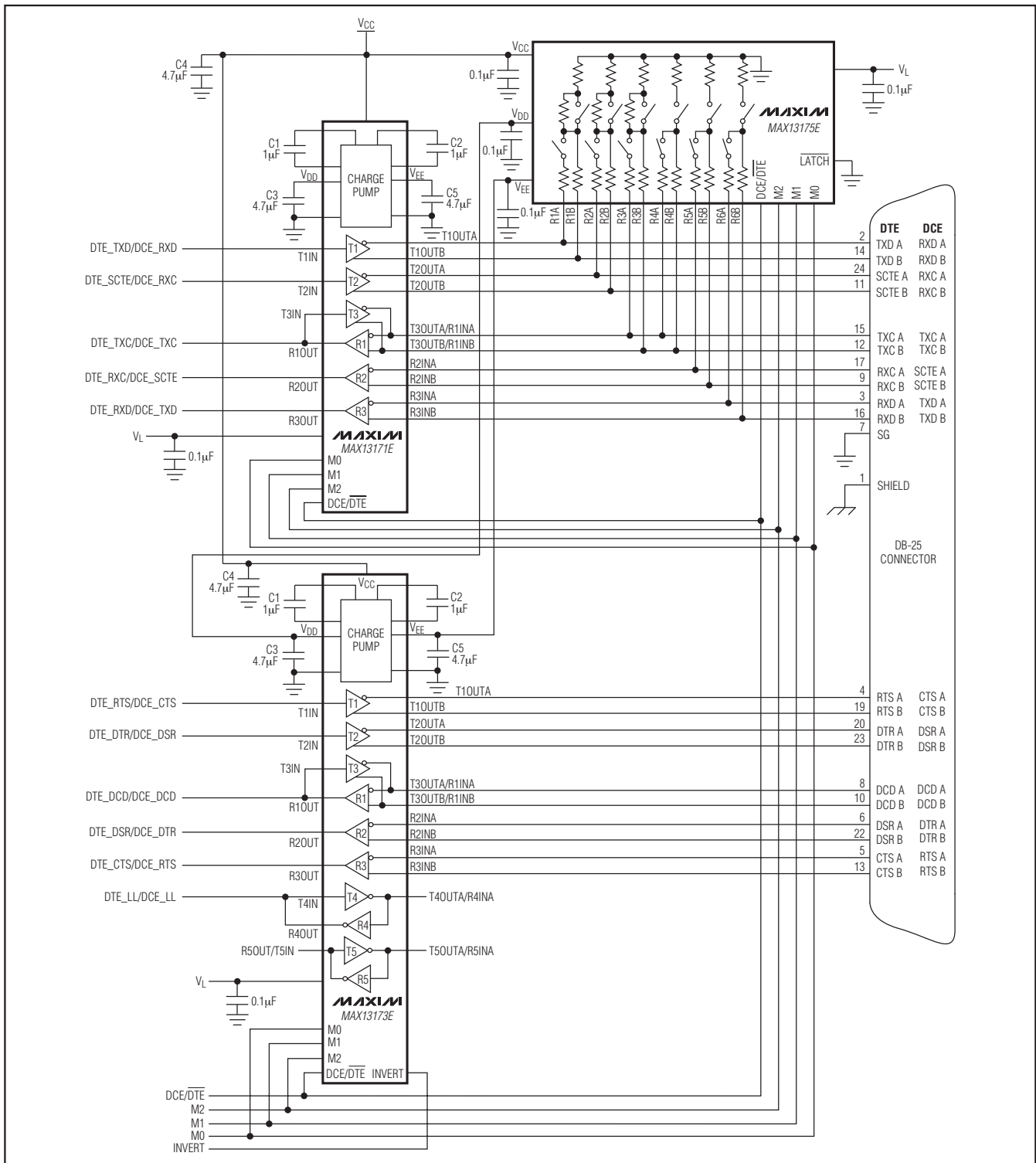


Figure 27. Controller-Selectable Multiprotocol DCE/DTE Port with DB-25 Connector



# Multiprotocol, Pin-Selectable Data Interface Chipset

**MAX13171E/MAX13173E/MAX13175E**

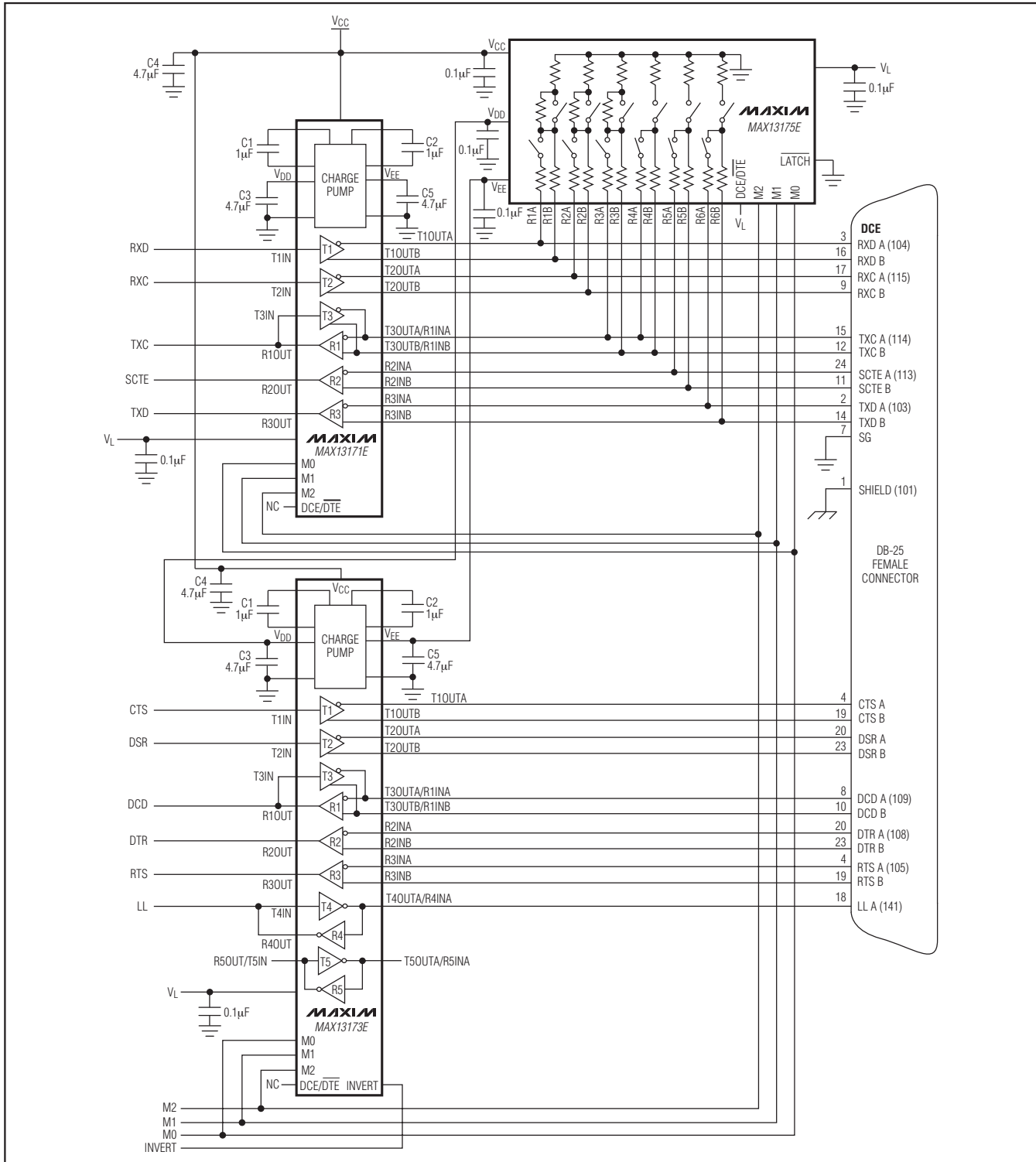


Figure 28. Controller-Selectable DCE Port with DB-25 Connector

# Multiprotocol, Pin-Selectable Data Interface Chipset

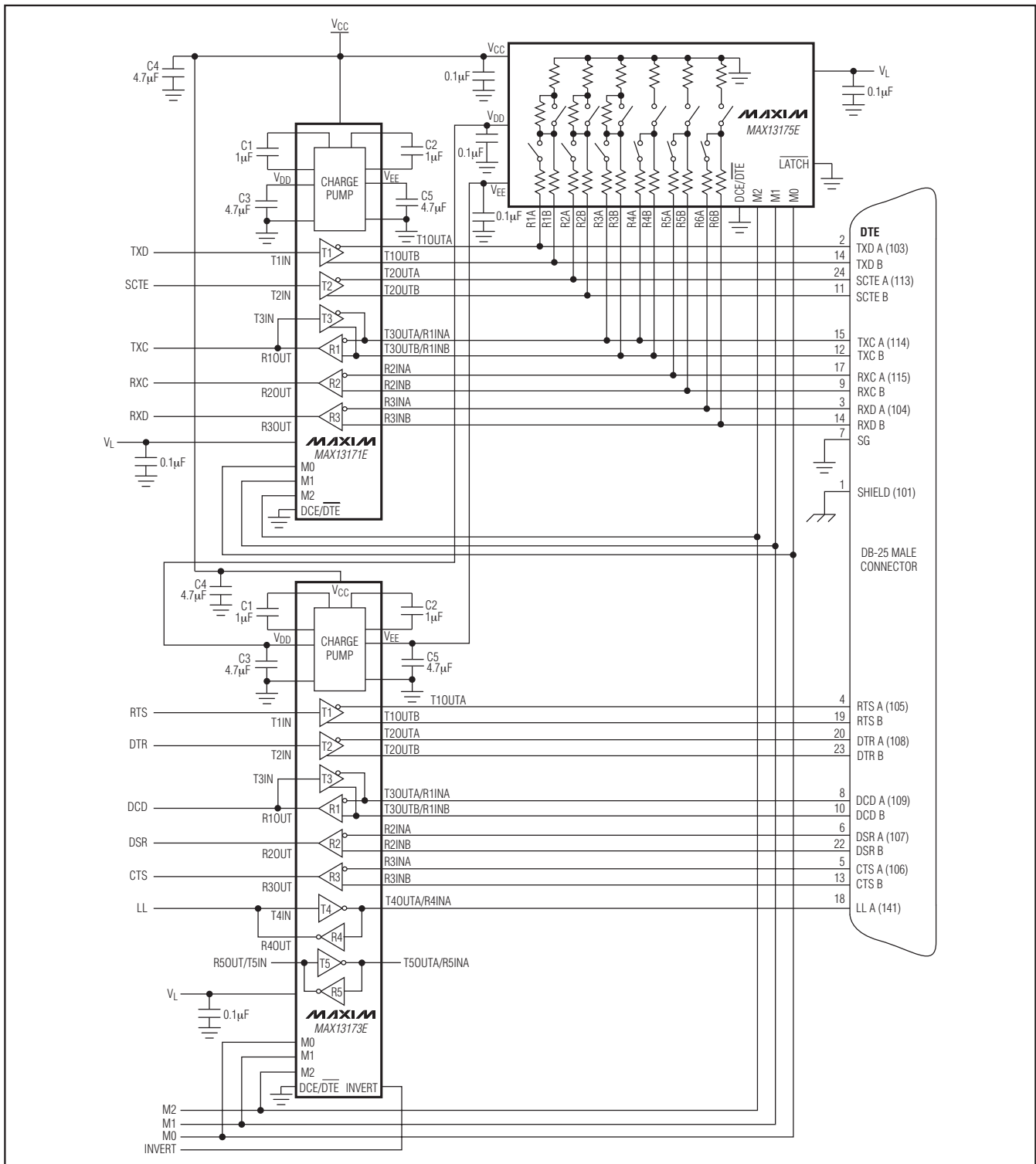


Figure 29. Controller-Selectable Multiprotocol DTE Port with DB-25 Connector

# Multiprotocol, Pin-Selectable Data Interface Chipset

## Complete Multiprotocol X.21 Interface

A complete DTE-to-DCE interface operating in X.21 mode is shown in Figure 30. The MAX13171E is used to generate the clock and data signals, and the MAX13173E generates the control signals and local loopback (LL). The MAX13175E is used to terminate the clock and data signals to support the V.11 protocol for cable termination. The control signals do not need external termination.

## ESD Protection

ESD-protection structures are incorporated on all pins to protect against electrostatic discharges encountered during handling and assembly. The driver outputs and receiver inputs of the MAX13171E/MAX13173E have

extra protection against static electricity. Maxim's engineers have developed state-of-the-art structures to protect these pins against ESD of  $\pm 15\text{kV}$  without damage. The ESD structures withstand high ESD in all states: normal operation, shutdown, and powered down. After an ESD event, the MAX13171E/MAX13173E/MAX13175E keep working without latchup or damage. ESD protection can be tested in various ways. The *Electrical Characteristics* table shows the various limits for each device and they are characterized for protection to the following methods:

- Human Body Model
- Contact Method specified in IEC 61000-4-2
- Air-Gap Discharge Method specified in IEC 61000-4-2

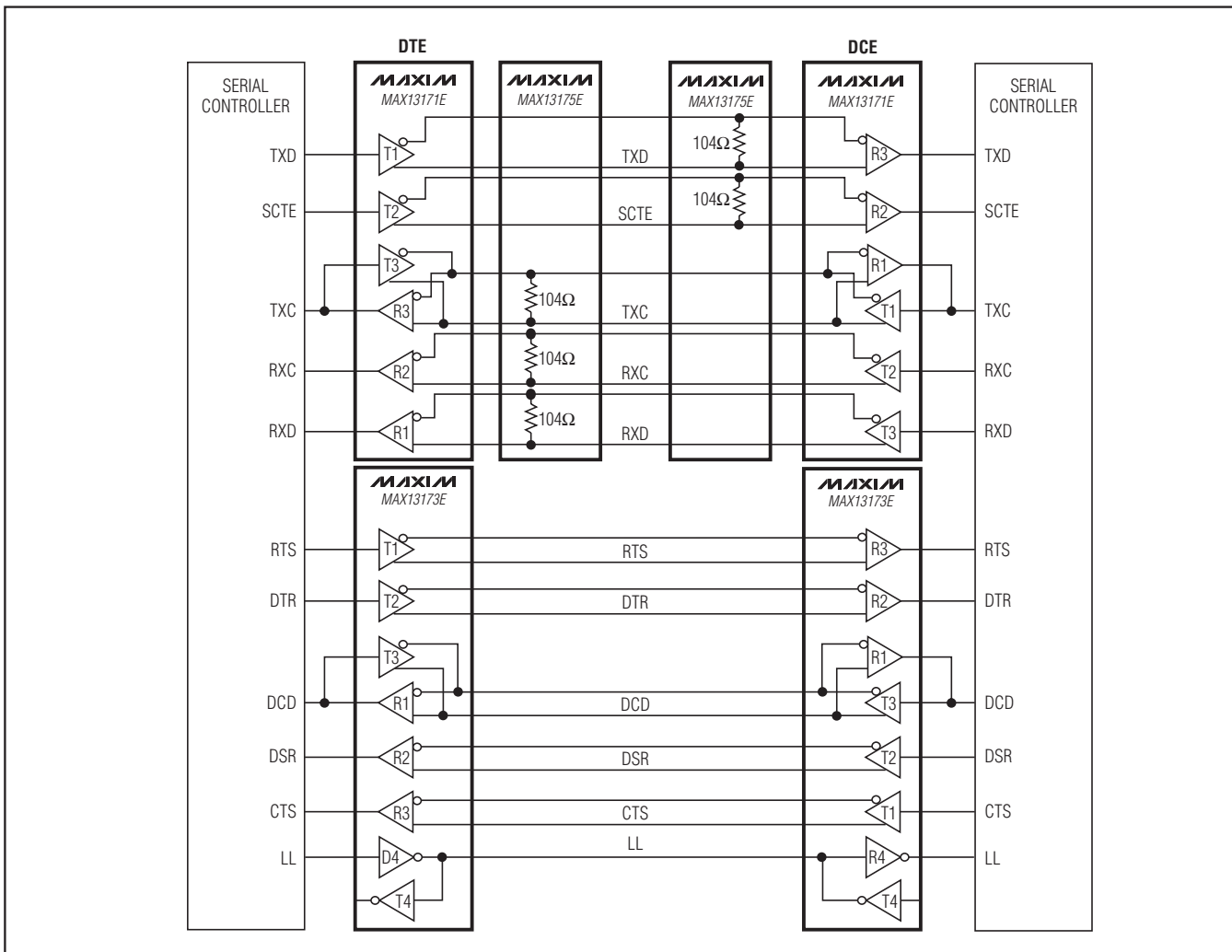


Figure 30. DCE-to-DTE X.21 Interface

MAX13171E/MAX13173E/MAX13175E

# Multiprotocol, Pin-Selectable Data Interface Chipset

## ESD Test Conditions

ESD performance depends on a variety of conditions. Contact Maxim for a reliability report that documents test setup, test methodology, and test results.

### Human Body Model

Figure 31a shows the Human Body Model, and Figure 31b shows the current waveform it generates when discharged into a low impedance. This model consists of a 100pF capacitor charged to the ESD voltage of interest, which is then discharged into the test device through a 1.5kΩ resistor.

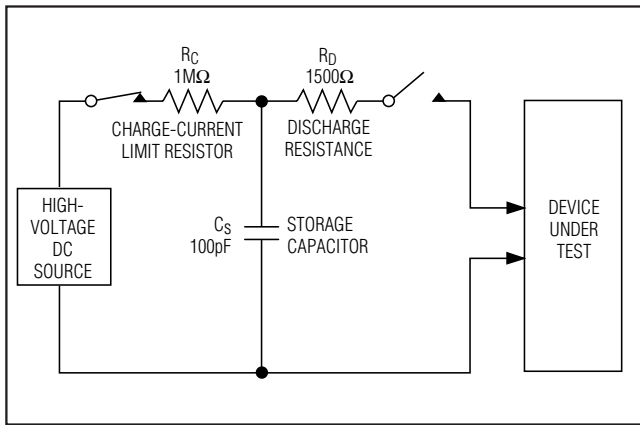


Figure 31a. Human Body ESD Test Model

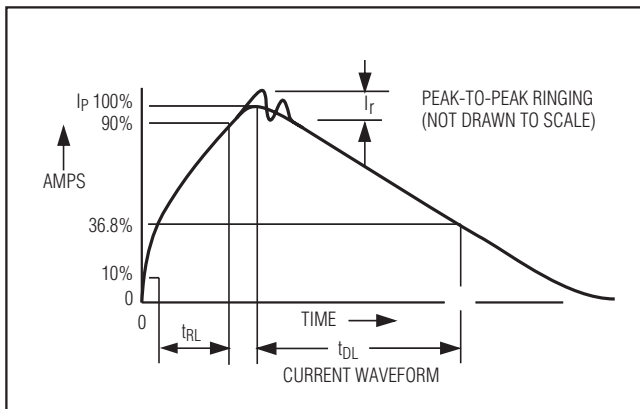


Figure 31b. Human Body Current Waveform

## IEC 61000-4-2

The IEC 61000-4-2 standard covers ESD testing and performance of finished equipment. However, it does not specifically refer to integrated circuits. The MAX13171E/MAX13173E/MAX13175E help equipment designs to meet IEC 61000-4-2, without the need for additional ESD-protection components.

The major difference between tests done using the Human Body Model and IEC 61000-4-2 is higher peak current in IEC 61000-4-2 because series resistance is lower in the IEC 61000-4-2 model. Figure 31c shows the IEC 61000-4-2 model, and Figure 31d shows the current waveform for the IEC 61000-4-2 ESD Contact Discharge test.

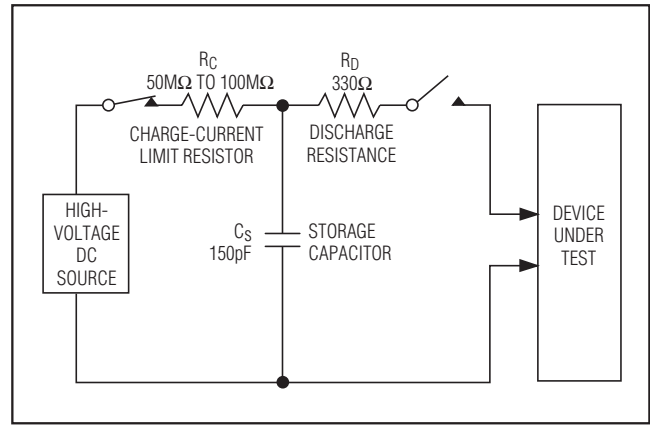


Figure 31c. IEC 61000-4-2 ESD Test Model

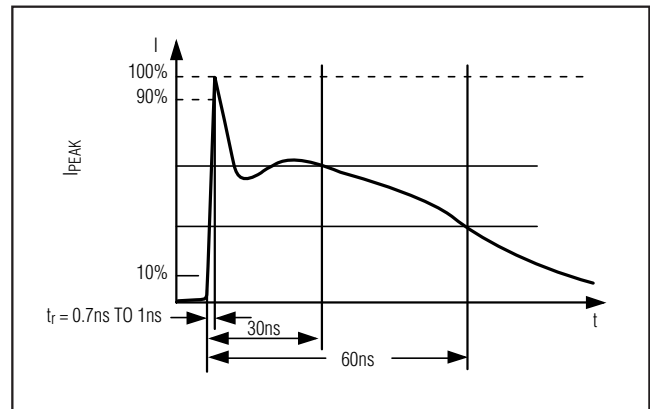


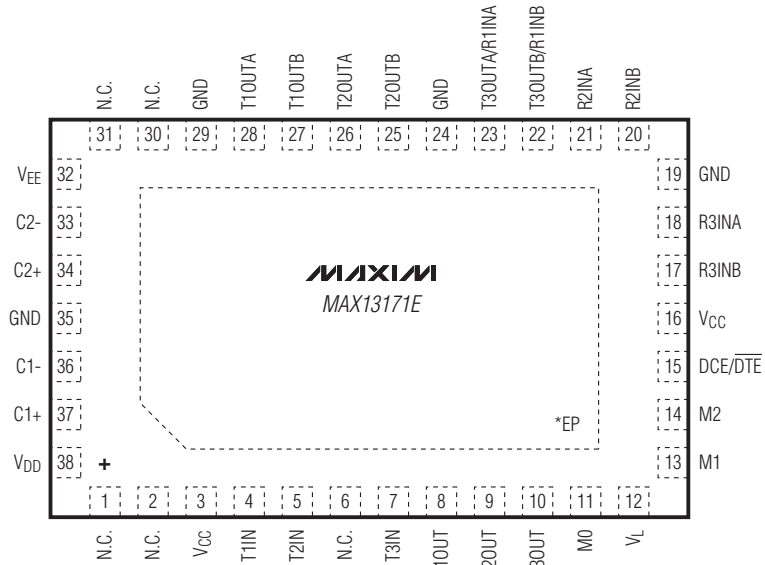
Figure 31d. IEC 61000-4-2 ESD Generator Current Waveform

# Multiprotocol, Pin-Selectable Data Interface Chipset

## Pin Configurations

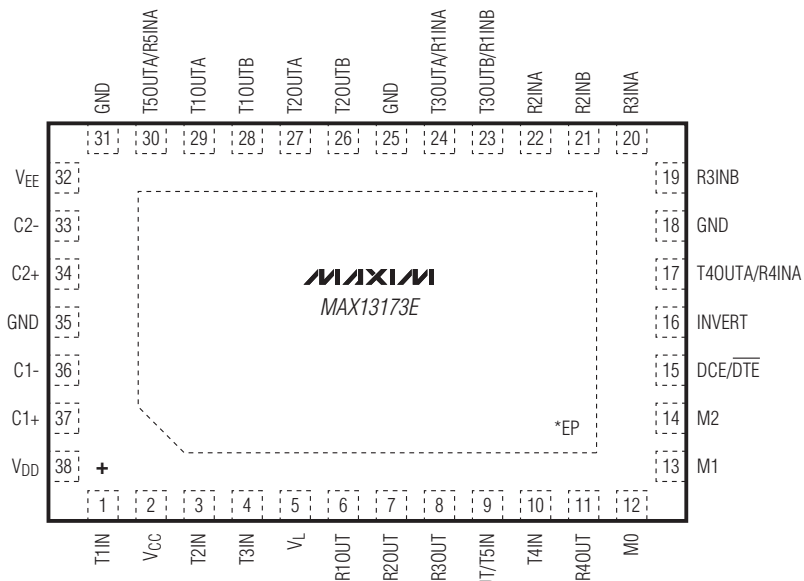
MAX13171E/MAX13173E/MAX13175E

TOP VIEW



TQFN

\*CONNECT EXPOSED PAD TO V<sub>EE</sub>.

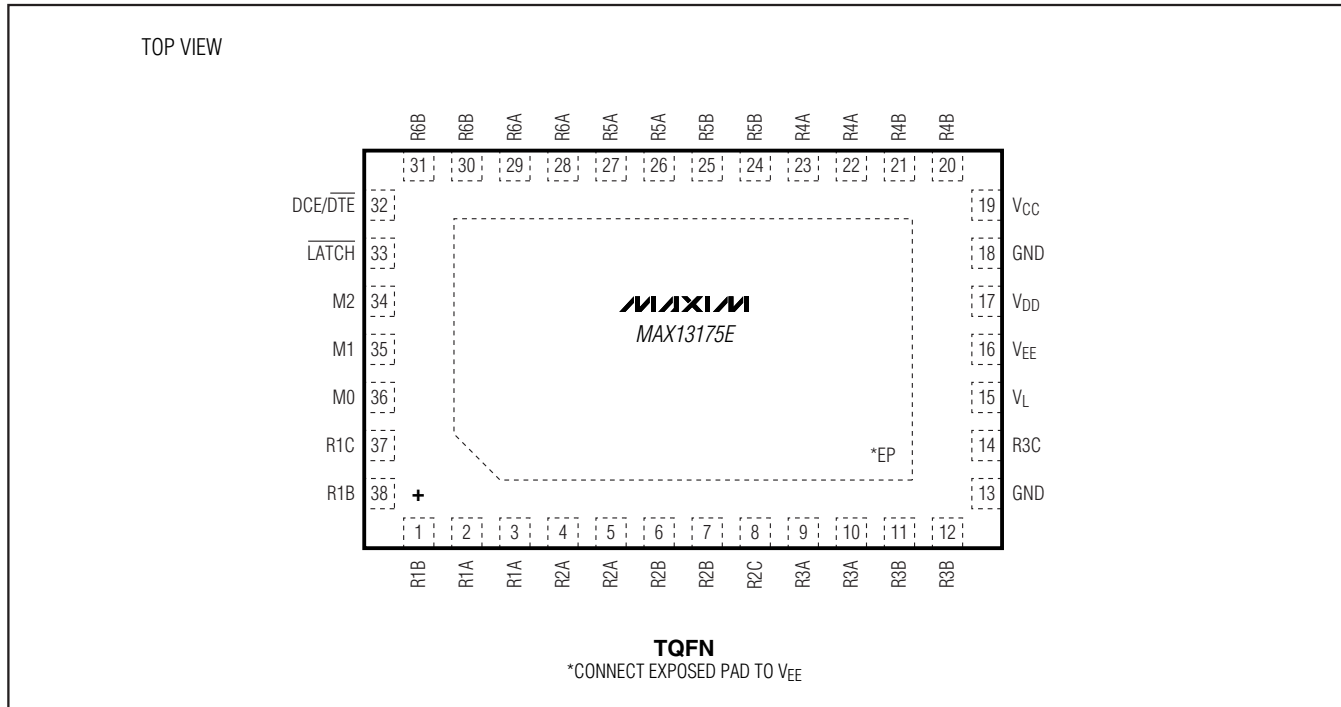


TQFN

\*CONNECT EXPOSED PAD TO V<sub>EE</sub>.

# Multiprotocol, Pin-Selectable Data Interface Chipset

## Pin Configurations (continued)



### Chip Information

PROCESS: BiCMOS

### Package Information

For the latest package outline information and land patterns (footprints), go to [www.maxim-ic.com/packages](http://www.maxim-ic.com/packages). Note that a "+", "#", or "-" in the package code indicates RoHS status only. Package drawings may show a different suffix character, but the drawing pertains to the package regardless of RoHS status.

PACKAGE TYPE	PACKAGE CODE	OUTLINE NO.	LAND PATTERN NO.
38 TQFN-EP	T3857+1	<a href="#">21-0172</a>	<a href="#">90-0076</a>

# Multiprotocol, Pin-Selectable Data Interface Chipset

## Revision History

REVISION NUMBER	REVISION DATE	DESCRIPTION	PAGES CHANGED
2	4/10	Removed three external capacitors from Figure 17 and Figures 27–29	27, 32–34
3	8/11	Updated <i>Fail-Safe</i> and <i>Package Information</i> sections	23, 38

MAX13171E/MAX13173E/MAX13175E

Maxim cannot assume responsibility for use of any circuitry other than circuitry entirely embodied in a Maxim product. No circuit patent licenses are implied. Maxim reserves the right to change the circuitry and specifications without notice at any time.

Maxim Integrated Products, 120 San Gabriel Drive, Sunnyvale, CA 94086 408-737-7600 \_\_\_\_\_ 39