



Precision, Dual-Supply, SPST Analog Switches

MAX320/MAX321/MAX322

General Description

The MAX320/MAX321/MAX322 are precision, dual, SPST analog switches designed to operate from $\pm 3V$ to $\pm 8V$ dual supplies. The MAX320 has two normally open (NO) switches and the MAX321 has two normally closed (NC) switches. The MAX322 has one NO and one NC switch. Low power consumption (1.25mW) makes these parts ideal for battery-powered equipment. They offer low leakage currents (100pA max) and fast switching speeds ($t_{ON} = 150ns$ max, $t_{OFF} = 100ns$ max).

The MAX320 series, powered from $\pm 5V$ supplies, offers 35 Ω max on-resistance (R_{ON}), 2 Ω max matching between channels, and 4 Ω max R_{ON} flatness.

These switches also offer 5pC max charge injection and a minimum of 2000V ESD protection per Method 3015.7.

For equivalent devices specified for single-supply operation, see the MAX323/MAX324/MAX325 data sheet. For quad versions of these switches, see the MAX391/MAX392/MAX393 data sheet.

Applications

- | | |
|---------------------------|------------------------------|
| Battery-Operated Systems | Sample-and-Hold Circuits |
| Heads-Up Displays | Guidance and Control Systems |
| Audio and Video Switching | Military Radios |
| Test Equipment | Communications Systems |
| $\pm 5V$ DACs and ADCs | PBX, PABX |

Features

- ◆ Low On-Resistance, 35 Ω max (16 Ω typical)
- ◆ R_{ON} Matching Between Channels <2 Ω
- ◆ R_{ON} Flatness <4 Ω
- ◆ Guaranteed Charge Injection <5pC
- ◆ Bipolar Supply Operation ($\pm 3V$ to $\pm 8V$)
- ◆ Low Power Consumption, <1.25mW
- ◆ Low Leakage Current Over Temperature, <2.5nA at +85 $^{\circ}C$
- ◆ Fast Switching, t_{ON} <150ns, t_{OFF} <100ns
- ◆ Guaranteed Break-Before-Make (MAX322 only)

Ordering Information

| PART | TEMP. RANGE | PIN-PACKAGE |
|-----------|-------------------------------------|---------------|
| MAX320CPA | 0 $^{\circ}C$ to +70 $^{\circ}C$ | 8 Plastic DIP |
| MAX320CSA | 0 $^{\circ}C$ to +70 $^{\circ}C$ | 8 SO |
| MAX320CUA | 0 $^{\circ}C$ to +70 $^{\circ}C$ | 8 μ MAX |
| MAX320C/D | 0 $^{\circ}C$ to +70 $^{\circ}C$ | Dice* |
| MAX320EPA | -40 $^{\circ}C$ to +85 $^{\circ}C$ | 8 Plastic DIP |
| MAX320ESA | -40 $^{\circ}C$ to +85 $^{\circ}C$ | 8 SO |
| MAX320EJA | -40 $^{\circ}C$ to +85 $^{\circ}C$ | 8 CERDIP** |
| MAX320MJA | -55 $^{\circ}C$ to +125 $^{\circ}C$ | 8 CERDIP** |

Ordering Information continued at end of data sheet.

* Contact factory for dice specifications.

** Contact factory for availability.

Pin Configurations/Functional Diagrams/Truth Tables

TOP VIEW

MAX320
DIP/SO/ μ MAX

| MAX320 | |
|--------|--------|
| LOGIC | SWITCH |
| 0 | OFF |
| 1 | ON |

MAX321
DIP/SO/ μ MAX

| MAX321 | |
|--------|--------|
| LOGIC | SWITCH |
| 0 | ON |
| 1 | OFF |

MAX322
DIP/SO/ μ MAX

| MAX322 | | |
|--------|----------|----------|
| LOGIC | SWITCH 1 | SWITCH 2 |
| 0 | OFF | ON |
| 1 | ON | OFF |

SWITCHES SHOWN FOR LOGIC "0" INPUT



Precision, Dual-Supply, SPST Analog Switches

ABSOLUTE MAXIMUM RATINGS

| | |
|---|---|
| Voltage Referenced to V- | μ MAX (derate 4.10mW/°C above +70°C)330mW |
| V+(V- - 0.3V) to +17V | CERDIP (derate 8.00mW/°C above +70°C)640mW |
| IN-, COM-, NC-, NO_ (Note 1)(V- - 0.3V) to (V+ + 0.3V) | Operating Temperature Ranges |
| Continuous Current (any terminal)30mA | MAX32_C_ _0°C to +70°C |
| Peak Current, COM-, NO-, NC- (pulsed at 1ms, 10% duty cycle max)100mA | MAX32_E_ _-40°C to +85°C |
| ESD per Method 3015.7>2000V | MAX32_MJA-55°C to +125°C |
| Continuous Power Dissipation | Storage Temperature Range-65°C to +150°C |
| Plastic DIP (derate 9.09mW/°C above +70°C)727mW | Lead Temperature (soldering, 10sec)+300°C |
| Narrow SO (derate 5.88mW/°C above +70°C)471mW | |

Note 1: Signals on NC-, NO-, COM-, or IN_ exceeding V+ or V- are clamped by internal diodes. Limit forward diode current to maximum current rating.

Stresses beyond those listed under "Absolute Maximum Ratings" may cause permanent damage to the device. These are stress ratings only, and functional operation of the device at these or any other conditions beyond those indicated in the operational sections of the specifications is not implied. Exposure to absolute maximum rating conditions for extended periods may affect device reliability.

ELECTRICAL CHARACTERISTICS

(V+ = +5V ±10%, V- = -5V ±10%, VINH = 3.5V, VINL = 2.5V, TA = TMIN to TMAX, unless otherwise noted.)

| PARAMETER | SYMBOL | CONDITIONS | MIN | TYP (Note 2) | MAX | UNITS | | |
|---|----------------------|---|-------------------|-----------------|------|-------|-----|----|
| ANALOG SWITCH | | | | | | | | |
| Analog Signal Range | VCOM, VNO, VNC | (Note 3) | V- | | V+ | V | | |
| On-Resistance | RON | V+ = 4.5V, V- = -4.5V, ICOM = 1.0mA, VNO or VNC = ±3.5V | TA = +25°C | C, E | 16 | 35 | Ω | |
| | | | | M | 16 | 30 | | |
| | | | TA = TMIN to TMAX | | | 45 | | |
| On-Resistance Match Between Channels (Note 4) | ΔRON | V+ = 5V, V- = -5V, ICOM = 1.0mA, VNO or VNC = ±3V | TA = +25°C | | 0.3 | 2 | Ω | |
| | | | TA = TMIN to TMAX | | | 4 | | |
| On-Resistance Flatness (Note 5) | RFLAT(ON) | V+ = 5V, V- = -5V, ICOM = 1.0mA, VNO or VNC = ±3V | TA = +25°C | | 1 | 4 | Ω | |
| | | | TA = TMIN to TMAX | | | 6 | | |
| NO or NC Off Leakage Current (Note 6) | INO(OFF) or INC(OFF) | V+ = 5.5V, V- = -5.5V, VCOM = ±4.5V, VNO or VNC = ±4.5V | TA = +25°C | | -0.1 | 0.01 | 0.1 | nA |
| | | | TA = TMIN to TMAX | C, E | -5 | | 5 | |
| | | | | M | -40 | | 40 | |
| COM Off Leakage Current (Note 6) | ICOM(OFF) | V+ = 5.5V, V- = -5.5V, VCOM = ±4.5V, VNO or VNC = ±4.5V | TA = +25°C | | -0.1 | 0.01 | 0.1 | nA |
| | | | TA = TMIN to TMAX | C, E | -5 | | 5 | |
| | | | | M | -40 | | 40 | |
| COM On Leakage Current (Note 6) | ICOM(ON) | V+ = 5.5V, V- = -5.5V, VCOM = ±4.5V, VNO or VNC = ±4.5V | TA = +25°C | | -0.2 | 0.05 | 0.2 | nA |
| | | | TA = TMIN to TMAX | C, E | -10 | | 10 | |
| | | | | M | -50 | | 50 | |

Precision, Dual-Supply, SPST Analog Switches

MAX320/MAX321/MAX322

ELECTRICAL CHARACTERISTICS

(V+ = +5V ±10%, V- = -5V ±10%, VINH = 3.5V, VINL = 2.5V, TA = TMIN to TMAX, unless otherwise noted.)

| PARAMETER | SYMBOL | CONDITIONS | MIN | TYP (Note 2) | MAX | UNITS | |
|---------------------------------------|-----------------------|---|-------------------|-----------------|-----|-------|----|
| LOGIC INPUT | | | | | | | |
| Input Current with Input Voltage High | I _{INH} | | -0.5 | 0.005 | 0.5 | μA | |
| Input Current with Input Voltage Low | I _{INL} | | -0.5 | 0.005 | 0.5 | μA | |
| Input Voltage High | V _{INH} | V+ = 5V ±10%, V- ≤ 0V | 3.5 | | | V | |
| | | 3V < V+ < 8V, V- ≤ 0V | V+ - 1.5 | | | | |
| Input Voltage Low | V _{INL} | V+ = 5V ±10%, V- ≤ 0V | 2.5 | | | V | |
| | | 3V < V+ < 8V, V- ≤ 0V | V+ - 2.5 | | | | |
| DYNAMIC | | | | | | | |
| Turn-On Time | t _{ON} | V _{COM} = ±3V, Figure 2 | TA = +25°C | 65 | 150 | ns | |
| | | | TA = TMIN to TMAX | 175 | | | |
| Turn-Off Time | t _{OFF} | V _{COM} = ±3V, Figure 2 | TA = +25°C | 35 | 100 | ns | |
| | | | TA = TMIN to TMAX | 150 | | | |
| Break-Before-Make Time Delay (Note 3) | t _D | MAX322 only, RL = 300Ω, CL = 35pF, Figure 3 | 2 | 5 | | ns | |
| Charge Injection (Note 3) | Q | CL = 1.0nF, VGEN = 0V, RGEN = 0Ω, Figure 4 | TA = +25°C | 2 | 5 | pC | |
| Off Isolation (Note 7) | OIRR | RL = 50Ω, CL = 5pF, f = 1MHz, Figure 5 | TA = +25°C | 72 | | dB | |
| Crosstalk (Note 8) | | RL = 50Ω, CL = 5pF, f = 1MHz, Figure 6 | TA = +25°C | 85 | | dB | |
| NC or NO Capacitance | C _(OFF) | f = 1MHz, Figure 7 | TA = +25°C | 9 | | pF | |
| COM Off Capacitance | C _{COM(OFF)} | f = 1MHz, Figure 7 | TA = +25°C | 9 | | pF | |
| COM On Capacitance | C _{COM(ON)} | f = 1MHz, Figure 8 | TA = +25°C | 22 | | pF | |
| SUPPLY | | | | | | | |
| Power-Supply Range | | | ±2.7 | | ±8 | V | |
| Positive Supply Current | I+ | V+ = 5.5V, V- = -5.5V, VIN = 0V or V+, all channels on or off | TA = +25°C | -125 | 80 | 125 | μA |
| | | | TA = TMIN to TMAX | -200 | 200 | | |
| Negative Supply Current | I- | V+ = 5.5V, V- = -5.5V, VIN = 0V or V+, all channels on or off | TA = +25°C | -125 | 80 | 125 | μA |
| | | | TA = TMIN to TMAX | -200 | 200 | | |

Note 2: The algebraic convention where the most negative value is a minimum and the most positive value a maximum is used in this data sheet.

Note 3: Guaranteed by design.

Note 4: ΔRON = ΔRON max - ΔRON min.

Note 5: Flatness is defined as the difference between the maximum and minimum value of on-resistance as measured over the specified analog signal range.

Note 6: Leakage parameters are 100% tested at maximum rated hot temperature and guaranteed by correlation at +25°C.

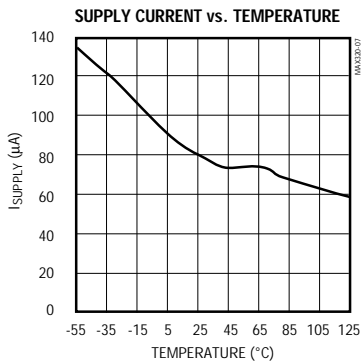
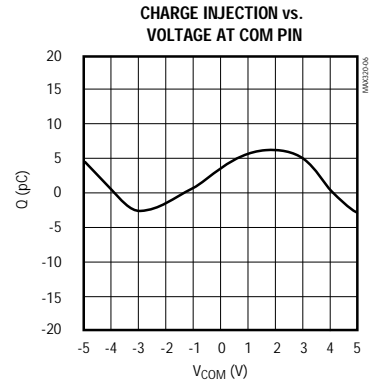
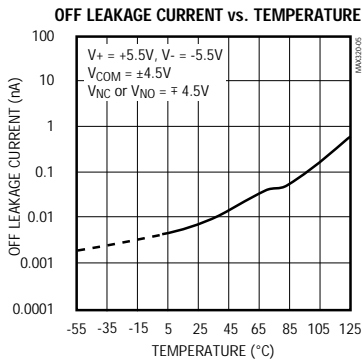
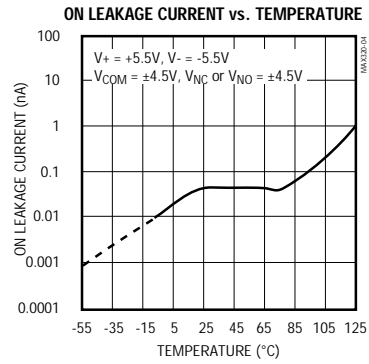
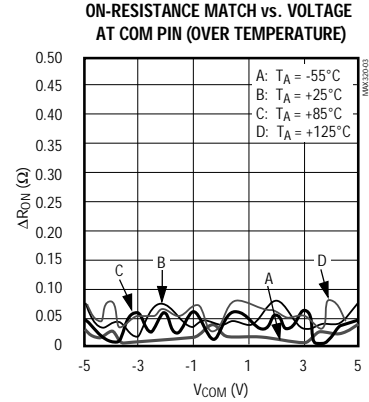
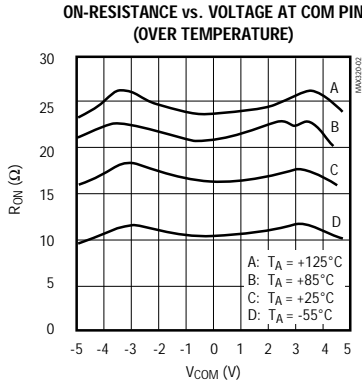
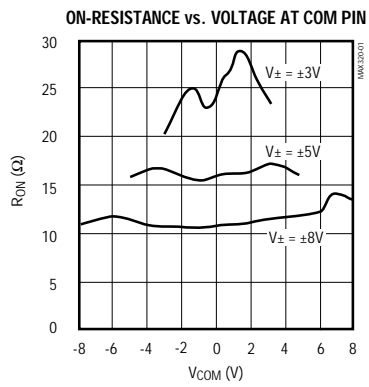
Note 7: Off Isolation = 20 log₁₀ [V_{COM} / (V_{NC} or V_{NO})]. V_{COM} = output, V_{NC} or V_{NO} = input to off switch.

Note 8: Between any two switches.

Precision, Dual-Supply, SPST Analog Switches

Typical Operating Characteristics

($V_+ = +5V$, $V_- = -5V$, $T_A = +25^\circ C$, unless otherwise noted.)



Precision, Dual-Supply, SPST Analog Switches

Pin Description

| PIN | NAME | FUNCTION |
|------|------------------------|--|
| 1 | NO1 (MAX320/MAX322) | Normally Open Analog Switch Terminal |
| | NC1 (MAX321) | Normally Closed Analog Switch Terminal |
| 2, 6 | COM1, COM2 | Analog Switch Common Terminals |
| 3, 7 | IN2, IN1 | Logic Inputs |
| 4 | V- | Negative Supply |
| 5 | NO2 (MAX320) | Normally Open Analog Switch Terminal |
| | NC2 (MAX321/MAX322) | Normally Closed Analog Switch Terminal |
| 8 | V+ | Positive Supply |

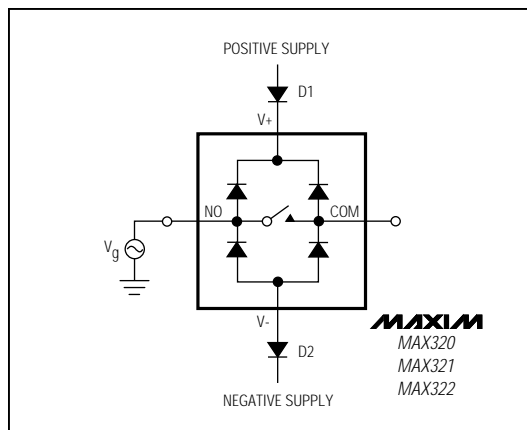


Figure 1. Overvoltage Protection Using Two External Blocking Diodes

Applications Information

Logic Levels

Calculate the logic thresholds typically as follows: $V_{IH} = (V+ - 1.5V)$ and $V_{IL} = (V+ - 2.5V)$.

Power-supply consumption is minimized when IN1 and IN2 are driven with logic-high levels equal to $V+$ and logic-low levels well below the calculated V_{IL} of $(V+ - 2.5V)$. IN1 and IN2 can be driven to $V-$ without damage.

Analog Signal Levels

Analog signals that range over the entire supply voltage ($V-$ to $V+$) can be switched, with very little change in on-resistance over the entire voltage range (see *Typical Operating Characteristics*). All switches are bidirectional, so NO_, NC_, and COM_ pins can be used as either inputs or outputs.

Power-Supply Sequencing and Overvoltage Protection

Do not exceed the absolute maximum ratings, because stresses beyond the listed ratings may cause permanent damage to the devices.

Proper power-supply sequencing is recommended for all CMOS devices. Always apply $V+$, followed by $V-$, before applying analog signals or logic inputs, especially if the analog or logic signals are not current-limited. If

this sequencing is not possible, and if the analog or logic inputs are not current-limited to $<30mA$, add two small signal diodes (D1, D2) as shown in Figure 1. Adding protection diodes reduces the analog signal range to a diode drop (about 0.7V) below $V+$ for D1, and a diode drop above $V-$ for D2. Leakage is not affected by adding the diodes. On-resistance increases by a small amount at low supply voltages. Maximum supply voltage ($V-$ to $V+$) must not exceed 17V.

Adding protection diode D1 causes the logic thresholds to be shifted relative to the positive power-supply rail. This can be significant when low positive supply voltages ($+5V$ or less) are used. Driving IN1 and IN2 all the way to the supply rails (i.e., to a diode drop higher than the $V+$ pin or a diode drop lower than the $V-$ pin) is always acceptable.

The protection diodes D1 and D2 also protect against some overvoltage situations. With the circuit of Figure 1, if the supply voltage is below the absolute maximum rating and if a fault voltage up to the absolute maximum rating is applied to an analog signal pin, no damage will result. For example, with $\pm 5V$ supplies, analog signals up to $\pm 8.5V$ will not damage the circuit of Figure 1. If only a single fault signal is present, the fault voltage can rise to $+12V$ or to $-12V$ without damage.

MAX320/MAX321/MAX322

Precision, Dual-Supply, SPST Analog Switches

Test Circuits/Timing Diagrams

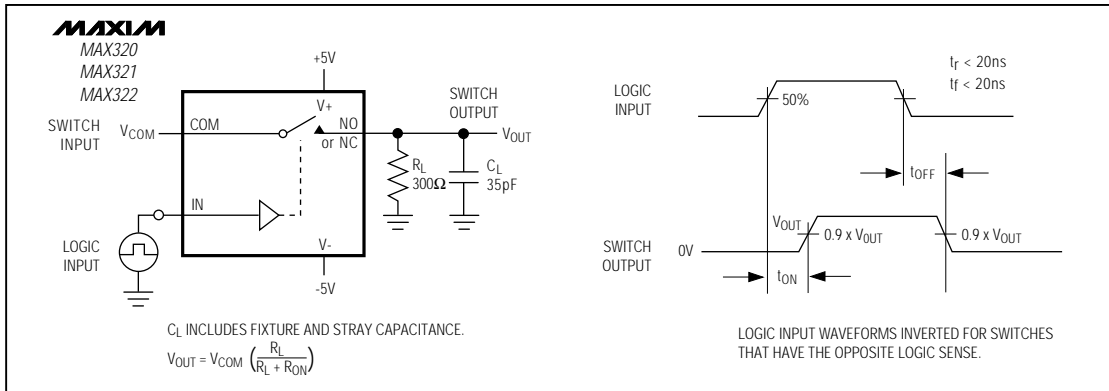


Figure 2. Switching Time

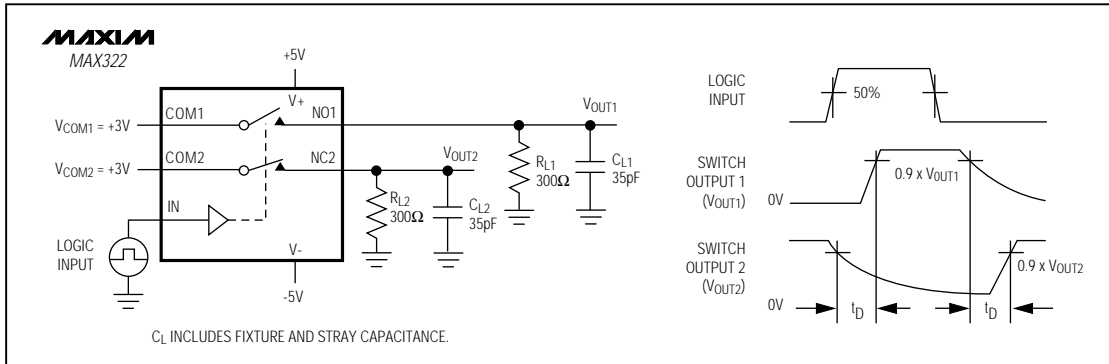


Figure 3. Break-Before-Make Interval (MAX322 only)

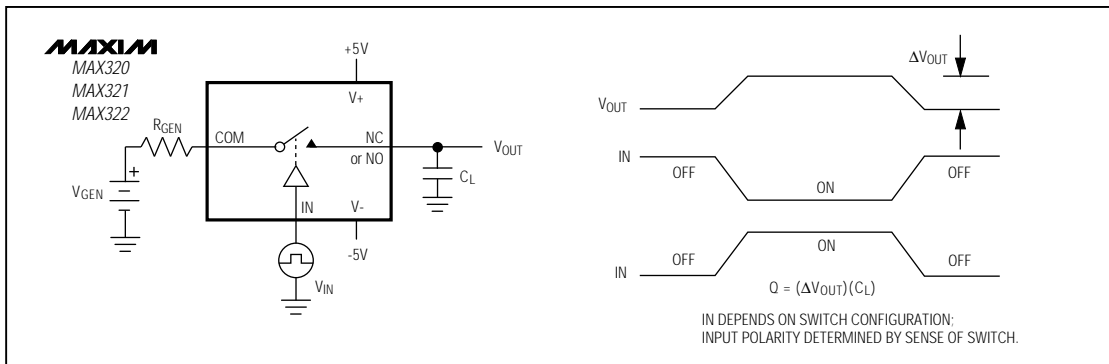


Figure 4. Charge Injection

Precision, Dual-Supply, SPST Analog Switches

Test Circuits/Timing Diagrams (continued)

MAX320/MAX321/MAX322

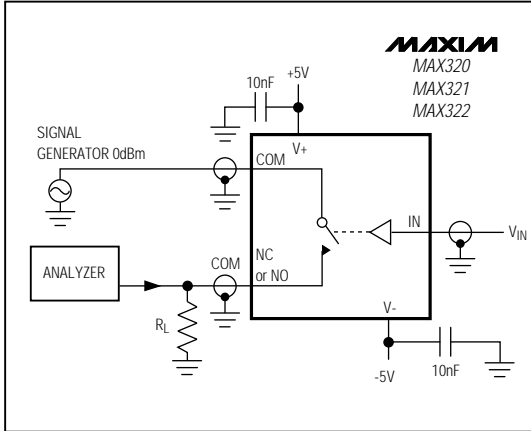


Figure 5. Off Isolation

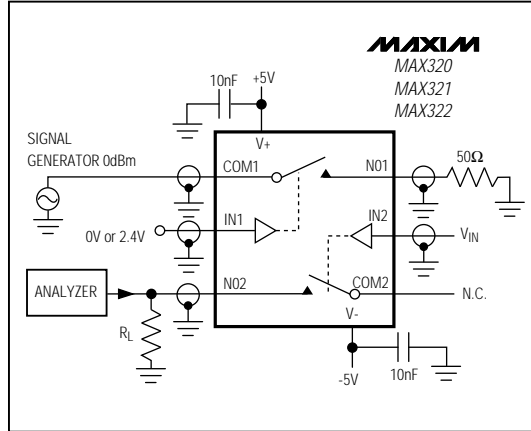


Figure 6. Crosstalk

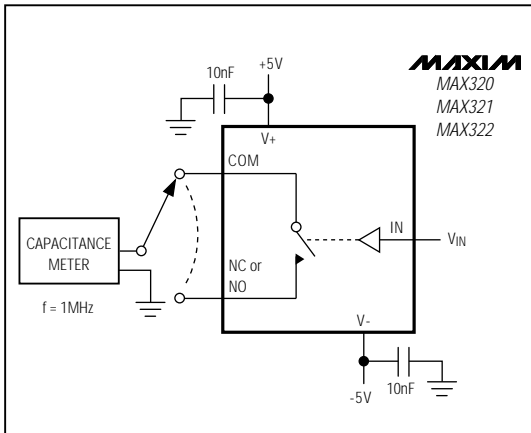


Figure 7. Channel-Off Capacitance

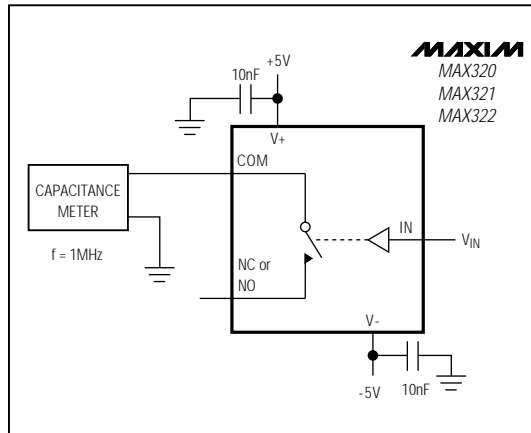


Figure 8. Channel-On Capacitance

Precision, Dual-Supply, SPST Analog Switches

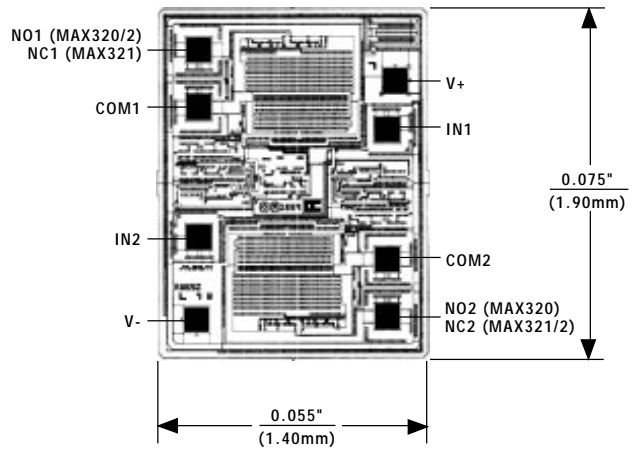
Ordering Information (continued)

| PART | TEMP. RANGE | PIN-PACKAGE |
|-----------|-----------------|---------------|
| MAX321CPA | 0°C to +70°C | 8 Plastic DIP |
| MAX321CSA | 0°C to +70°C | 8 SO |
| MAX321CUA | 0°C to +70°C | 8 μ MAX |
| MAX321C/D | 0°C to +70°C | Dice* |
| MAX321EPA | -40°C to +85°C | 8 Plastic DIP |
| MAX321ESA | -40°C to +85°C | 8 SO |
| MAX321EJA | -40°C to +85°C | 8 CERDIP** |
| MAX321MJA | -55°C to +125°C | 8 CERDIP** |
| MAX322CPA | 0°C to +70°C | 8 Plastic DIP |
| MAX322CSA | 0°C to +70°C | 8 SO |
| MAX322CUA | 0°C to +70°C | 8 μ MAX |
| MAX322C/D | 0°C to +70°C | Dice* |
| MAX322EPA | -40°C to +85°C | 8 Plastic DIP |
| MAX322ESA | -40°C to +85°C | 8 SO |
| MAX322EJA | -40°C to +85°C | 8 CERDIP** |
| MAX322MJA | -55°C to +125°C | 8 CERDIP** |

* Contact factory for dice specifications.

** Contact factory for availability.

Chip Topography



TRANSISTOR COUNT: 91
SUBSTRATE CONNECTED TO V+

Package Information

| DIM | INCHES | | MILLIMETERS | |
|----------|--------|-------|-------------|------|
| | MIN | MAX | MIN | MAX |
| A | 0.036 | 0.044 | 0.91 | 1.11 |
| A1 | 0.004 | 0.008 | 0.10 | 0.20 |
| B | 0.010 | 0.014 | 0.25 | 0.36 |
| C | 0.005 | 0.007 | 0.13 | 0.18 |
| D | 0.116 | 0.120 | 2.95 | 3.05 |
| E | 0.116 | 0.120 | 2.95 | 3.05 |
| e | 0.0256 | | 0.65 | |
| H | 0.188 | 0.198 | 4.78 | 5.03 |
| L | 0.016 | 0.026 | 0.41 | 0.66 |
| α | 0° | 6° | 0° | 6° |

**8-PIN μ MAX
MICROMAX SMALL OUTLINE
PACKAGE**

Maxim cannot assume responsibility for use of any circuitry other than circuitry entirely embodied in a Maxim product. No circuit patent licenses are implied. Maxim reserves the right to change the circuitry and specifications without notice at any time.

8 Maxim Integrated Products, 120 San Gabriel Drive, Sunnyvale, CA 94086 (408) 737-7600

© 1994 Maxim Integrated Products

Printed USA

MAXIM is a registered trademark of Maxim Integrated Products.