

Phase-Frequency Detector

The MC12040 is a phase-frequency detector or intended for use in systems requiring zero phase and frequency difference at lock. In combination with a voltage controlled oscillator (such as the MC1648), it is useful in a broad range of phase-locked loop applications. Operation of this device is identical to that of Phase Detector #1 of the MC4044. A discussion of the theory of operation and applications information is given on the MC4344/4044 data sheet.

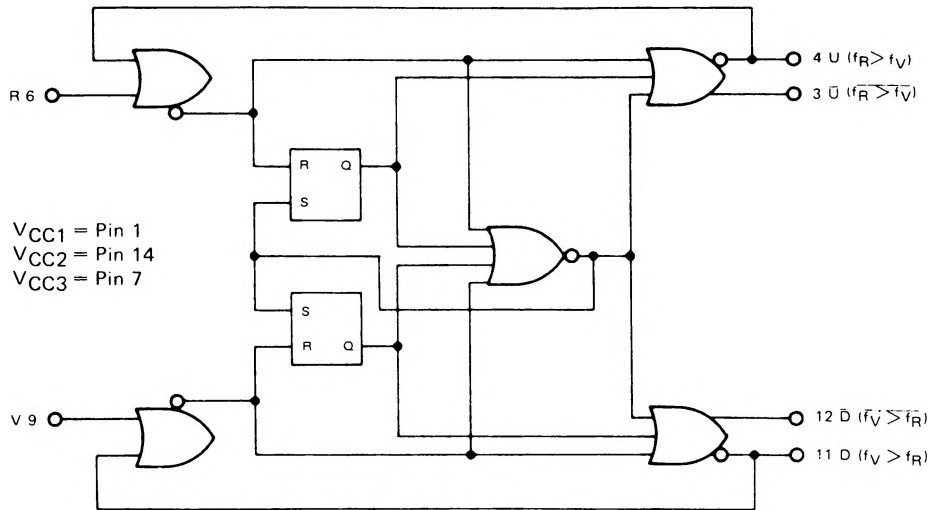
Operating Frequency = 80 MHz typical

TRUTH TABLE

This is not strictly a functional truth table; i.e., it does not cover all possible modes of operation. However it gives a sufficient number of tests to ensure that the device will function properly in all modes of operation.

INPUT		OUTPUT			
R	V	U	D	\bar{U}	\bar{D}
0	0	X	X	X	X
0	1	X	X	X	X
1	1	X	X	X	X
0	1	X	X	X	X
1	1	1	0	0	1
0	1	1	0	0	1
1	1	1	0	0	1
1	0	1	0	0	1
1	1	0	0	1	1
1	0	0	0	1	1
1	1	0	1	1	0
1	0	0	1	1	0
1	1	0	1	1	0
0	1	0	1	1	0
1	1	0	0	1	1

X = Don't Care



MC12040

PHASE-LOCKED LOOP