

MC14067B

Analog Multiplexers / Demultiplexers

The MC14067 multiplexer/demultiplexer is a digitally controlled analog switch featuring low ON resistance and very low leakage current. This device can be used in either digital or analog applications.

The MC14067 is a 16-channel multiplexer/demultiplexer with an inhibit and four binary control inputs A, B, C, and D. These control inputs select 1-of-16 channels by turning ON the appropriate analog switch (see MC14067 truth table.)

Features

- Low OFF Leakage Current
- Matched Channel Resistance
- Low Quiescent Power Consumption
- Low Crosstalk Between Channels
- Wide Operating Voltage Range: 3 to 18 V
- Low Noise
- Pin for Pin Replacement for CD4067B
- These Devices are Pb-Free and are RoHS Compliant

MAXIMUM RATINGS (Voltages Referenced to V_{SS})

| Symbol | Parameter | Value | Unit |
|-------------------|--------------------------------------------------|-------------------------|--------------------|
| V_{DD} | DC Supply Voltage Range | - 0.5 to + 18.0 | V |
| V_{in}, V_{out} | Input or Output Voltage Range (DC or Transient) | - 0.5 to $V_{DD} + 0.5$ | V |
| I_{in} | Input Current (DC or Transient), per Control Pin | ± 10 | mA |
| I_{sw} | Switch Through Current | ± 25 | mA |
| P_D | Power Dissipation, per Package (Note 1) | 500 | mW |
| T_A | Ambient Temperature Range | - 55 to + 125 | $^{\circ}\text{C}$ |
| T_{stg} | Storage Temperature Range | - 65 to + 150 | $^{\circ}\text{C}$ |
| T_L | Lead Temperature (8-Second Soldering) | 260 | $^{\circ}\text{C}$ |

Stresses exceeding Maximum Ratings may damage the device. Maximum Ratings are stress ratings only. Functional operation above the Recommended Operating Conditions is not implied. Extended exposure to stresses above the Recommended Operating Conditions may affect device reliability.

1. Temperature Derating:

Plastic "P and D/DW" Packages: - 7.0 mW/ $^{\circ}\text{C}$ From 65 $^{\circ}\text{C}$ To 125 $^{\circ}\text{C}$

This device contains protection circuitry to guard against damage due to high static voltages or electric fields. However, precautions must be taken to avoid applications of any voltage higher than maximum rated voltages to this high-impedance circuit. For proper operation, V_{in} and V_{out} should be constrained to the range $V_{SS} \leq (V_{in} \text{ or } V_{out}) \leq V_{DD}$.

Unused inputs must always be tied to an appropriate logic voltage level (e.g., either V_{SS} or V_{DD}). Unused outputs must be left open.



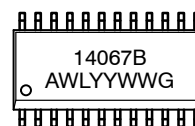
ON Semiconductor®

<http://onsemi.com>



SOIC-24
DW SUFFIX
CASE 751E

MARKING DIAGRAM



A = Assembly Location
WL = Wafer Lot
YY = Year
WW = Work Week
G = Pb-Free Package

ORDERING INFORMATION

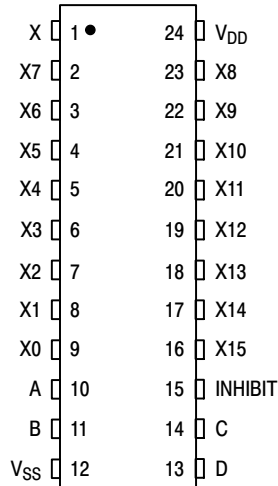
See detailed ordering and shipping information in the package dimensions section on page 5 of this data sheet.

MC14067B

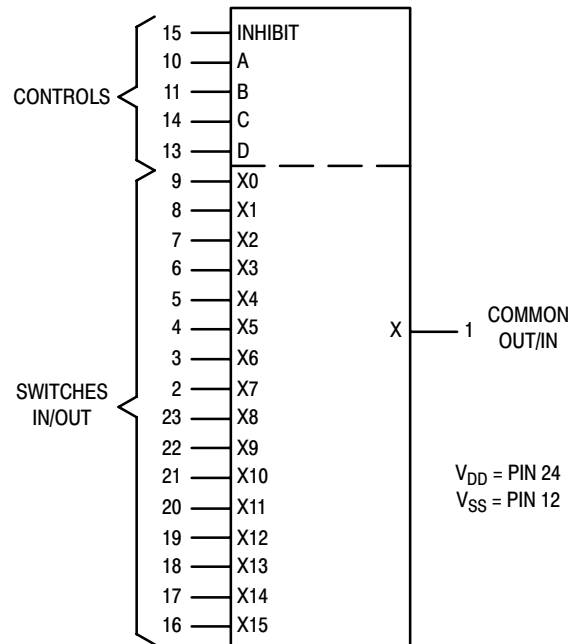
TRUTH TABLE

| Control Inputs | | | | | Selected Channel |
|----------------|---|---|---|-----|------------------|
| A | B | C | D | Inh | |
| X | X | X | X | 1 | None |
| 0 | 0 | 0 | 0 | 0 | X0 |
| 1 | 0 | 0 | 0 | 0 | X1 |
| 0 | 1 | 0 | 0 | 0 | X2 |
| 1 | 1 | 0 | 0 | 0 | X3 |
| 0 | 0 | 1 | 0 | 0 | X4 |
| 1 | 0 | 1 | 0 | 0 | X5 |
| 0 | 1 | 1 | 0 | 0 | X6 |
| 1 | 1 | 1 | 0 | 0 | X7 |
| 0 | 0 | 0 | 1 | 0 | X8 |
| 1 | 0 | 0 | 1 | 0 | X9 |
| 0 | 1 | 0 | 1 | 0 | X10 |
| 1 | 1 | 0 | 1 | 0 | X11 |
| 0 | 0 | 1 | 1 | 0 | X12 |
| 1 | 0 | 1 | 1 | 0 | X13 |
| 0 | 1 | 1 | 1 | 0 | X14 |
| 1 | 1 | 1 | 1 | 0 | X15 |

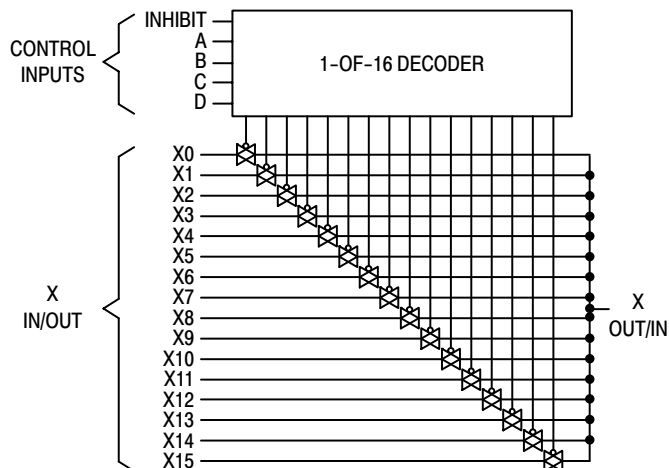
PIN ASSIGNMENT



16-Channel Analog Multiplexer/Demultiplexer



FUNCTIONAL DIAGRAM



MC14067B

ELECTRICAL CHARACTERISTICS

| Characteristic | Symbol | V _{DD} | Test Conditions | - 55°C | | 25°C | | | 125°C | | Unit |
|----------------|--------|-----------------|-----------------|--------|-----|------|--------------------|-----|-------|-----|------|
| | | | | Min | Max | Min | Typ ⁽²⁾ | Max | Min | Max | |

SUPPLY REQUIREMENTS (Voltages Referenced to V_{SS})

| | | | | | | | | | | | |
|------------------------------------------------------------|--------------------|-----------------|--------------------------------------------------------------------------------------------------------------------------------------------------------------------------------------------------|------------------------------------------------------------------------------------------------------------------------|-----|-----|-------|-----|-----|-----|----|
| Power Supply Voltage Range | V _{DD} | – | | 3.0 | 18 | 3.0 | – | 18 | 3.0 | 18 | V |
| Quiescent Current Per Package | I _{DD} | 5.0 | Control Inputs: V _{in} = V _{SS} or V _{DD} , Switch I/O: V _{SS} ≤ V _{I/O} ≤ V _{DD} , and ΔV _{switch} ≤ 500 mV ⁽³⁾ | – | 5.0 | – | 0.005 | 5.0 | – | 150 | μA |
| | | 10 | | – | 10 | – | 0.010 | 10 | – | 300 | |
| | | 15 | | – | 20 | – | 0.015 | 20 | – | 600 | |
| Total Supply Current (Dynamic Plus Quiescent, Per Package) | I _{D(AV)} | 5.0 10 15 | T _A = 25°C only (The channel component, (V _{in} – V _{out})/R _{on} , is not included.) | Typical (0.07 μA/kHz) f + I _{DD} (0.20 μA/kHz) f + I _{DD} (0.36 μA/kHz) f + I _{DD} | | | | | | μA | |

CONTROL INPUTS — INHIBIT, A, B, C, D (Voltages Referenced to V_{SS})

| | | | | | | | | | | | |
|--------------------------|-----------------|-----|------------------------------------------------------------|-----|------|-----|----------|------|-----|-----|----|
| Low-Level Input Voltage | V _{IL} | 5.0 | R _{on} = per spec, I _{off} = per spec | – | 1.5 | – | 2.25 | 1.5 | – | 1.5 | V |
| | | 10 | | – | 3.0 | – | 4.50 | 3.0 | – | 3.0 | |
| | | 15 | | – | 4.0 | – | 6.75 | 4.0 | – | 4.0 | |
| High-Level Input Voltage | V _{IH} | 5.0 | R _{on} = per spec, I _{off} = per spec | 3.5 | – | 3.5 | 2.75 | – | 3.5 | – | V |
| | | 10 | | 7.0 | – | 7.0 | 5.50 | – | 7.0 | – | |
| | | 15 | | 11 | – | 11 | 8.25 | – | 11 | – | |
| Input Leakage Current | I _{in} | 15 | V _{in} = 0 or V _{DD} | – | ±0.1 | – | ±0.00001 | ±0.1 | – | 1.0 | μA |
| Input Capacitance | C _{in} | — | | – | – | – | 5.0 | 7.5 | – | – | pF |

SWITCHES IN/OUT AND COMMONS OUT/IN — X, Y (Voltages Referenced to V_{SS})

| | | | | | | | | | | | |
|-----------------------------------------------------------------------------------|----------------------|-----|---------------------------------------------------------------------------------------------------------------------------------------------------------------------|---|-----------------|---|-------|-----------------|---|-----------------|------------------|
| Recommended Peak-to-Peak Voltage Into or Out of the Switch | V _{I/O} | – | Channel On or Off | 0 | V _{DD} | 0 | – | V _{DD} | 0 | V _{DD} | V _{p-p} |
| Recommended Static or Dynamic Voltage Across the Switch ⁽³⁾ (Figure 1) | ΔV _{switch} | – | Channel On | 0 | 600 | 0 | – | 600 | 0 | 300 | mV |
| Output Offset Voltage | V _{OO} | – | V _{in} = 0 V, No Load | – | – | – | 10 | – | – | – | μV |
| ON Resistance | R _{on} | 5.0 | ΔV _{switch} ≤ 500 mV ⁽³⁾ , V _{in} = V _{IL} or V _{IH} (Control), and V _{in} 0 to V _{DD} (Switch) | – | 800 | – | 250 | 1050 | – | 1300 | Ω |
| | | 10 | | – | 400 | – | 120 | 500 | – | 550 | |
| | | 15 | | – | 220 | – | 80 | 280 | – | 320 | |
| ΔON Resistance Between Any Two Channels in the Same Package | ΔR _{on} | 5.0 | | – | 70 | – | 25 | 70 | – | 135 | Ω |
| | | 10 | | – | 50 | – | 10 | 50 | – | 95 | |
| | | 15 | | – | 45 | – | 10 | 45 | – | 65 | |
| Off-Channel Leakage Current (Figure 2) | I _{off} | 15 | V _{in} = V _{IL} or V _{IH} (Control) Channel to Channel or Any One Channel | – | ±100 | – | ±0.05 | ±100 | – | ±1000 | nA |
| Capacitance, Switch I/O | C _{I/O} | – | Inhibit = V _{DD} | – | — | — | 10 | – | – | – | pF |
| Capacitance, Common O/I | C _{O/I} | – | Inhibit = V _{DD} (MC14067B) (MC14097B) | – | – | – | 100 | – | – | – | pF |
| | | | | – | – | – | 60 | – | – | – | |
| Capacitance, Feedthrough (Channel Off) | C _{I/O} | – | Pins Not Adjacent Pins Adjacent | – | – | – | 0.47 | – | – | – | pF |
| | | – | | | | | | | | | |

2. Data labeled "Typ" is not to be used for design purposes, but is intended as an indication of the IC's potential performance.

3. For voltage drops across the switch (ΔV_{switch}) > 600 mV (> 300 mV at high temperature), excessive V_{DD} current may be drawn; i.e. the current out of the switch may contain both V_{DD} and switch input components. The reliability of the device will be unaffected unless the Maximum Ratings are exceeded. (See first page of this data sheet.)

MC14067B

ELECTRICAL CHARACTERISTICS ($C_L = 50 \text{ pF}$, $T_A = 25^\circ\text{C}$)

| Characteristic | Symbol | $V_{DD} - V_{SS}$ Vdc | Typ (4) | Max | Unit |
|-----------------------------------------------------------------------------------------------------------------------------------------------------------------------|-------------------------------------|--------------------------|------------------|-------------------|------|
| Propagation Delay Times Channel Input-to-Channel Output ($R_L = 200 \text{ k}\Omega$) MC14067B | t_{PLH} , t_{PHL} (Figure 3) | 5.0 10 15 | 35 15 12 | 90 40 30 | ns |
| Propagation Delay Times Channel Input-to-Channel Output ($R_L = 1.0 \text{ k}\Omega$) MC14067B | t_{PLH} , t_{PHL} (Figure 3) | 5.0 10 15 | | 50 30 20 | ns |
| Control Input-to-Channel Output Channel Turn-On Time ($R_L = 10 \text{ k}\Omega$) MC14067B | t_{PZH} , t_{PZL} | 5.0 10 15 | 240 115 75 | 600 290 190 | ns |
| Channel Turn-Off Time ($R_L = 300 \text{ k}\Omega$) MC14067B | (Figure 4) t_{PHZ} , t_{PLZ} | 5.0 10 15 | 250 120 75 | 625 300 190 | ns |
| Channel Turn-Off Time ($R_L = 10 \text{ k}\Omega$) MC14067B | (Figure 4) | 5.0 10 15 | | 625 450 350 | ns |
| Any Pair of Address Inputs to Output MC14067B | t_{PLH} , t_{PHL} | 5.0 10 15 | 280 115 85 | 700 290 215 | ns |
| Second Harmonic Distortion ($R_L = 10 \text{ k}\Omega$, $f = 1 \text{ kHz}$, $V_{in} = 5 V_{p-p}$) | - | 10 | 0.3 | - | % |
| ON Channel Bandwidth [$R_L = 50 \Omega$, $V_{in} = 1/2 (V_{DD} - V_{SS})$ p-p (sine-wave)] $20 \text{ Log}_{10} (V_{out}/V_{in}) = -3 \text{ dB}$ MC14067B | BW (Figure 5) | 10 | 15 | - | MHz |
| Off Channel Feedthrough Attenuation [$R_L = 50 \Omega$, $V_{in} = 1/2 (V_{DD} - V_{SS})$ p-p (sine-wave)] $f_{in} = 20 \text{ MHz}$ - MC14067B | - (Figure 5) | 10 | -40 | - | dB |
| Channel Separation [$R_L = 1 \text{ k}\Omega$, $V_{in} = 1/2 (V_{DD} - V_{SS})$ p-p (sine-wave)] $f_{in} = 20 \text{ MHz}$ | - (Figure 6) | 10 | -40 | - | dB |
| Crosstalk, Control Inputs-to-Common O/I ($R_1 = 1 \text{ k}\Omega$, $R_L = 10 \text{ k}\Omega$, Control $t_r = t_f = 20 \text{ ns}$, Inhibit = V_{SS}) | - (Figure 7) | 10 | 30 | - | mV |

4. Data labelled "Typ" is not to be used for design purposes but is intended as an indication of the IC's potential performance.

MC14067B

ORDERING INFORMATION

| Device | Package | Shipping† |
|---------------|----------------------|--------------------------|
| MC14067BDWG | SOIC-24 (Pb-Free) | 30 Units / Rail |
| MC14067BDWR2G | SOIC-24 (Pb-Free) | 1000 Units / Tape & Reel |

†For information on tape and reel specifications, including part orientation and tape sizes, please refer to our Tape and Reel Packaging Specifications Brochure, BRD8011/D.

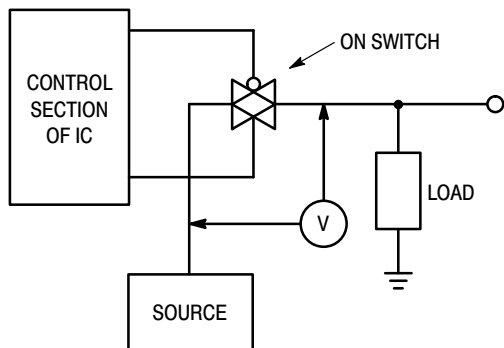


Figure 1. ΔV Across Switch

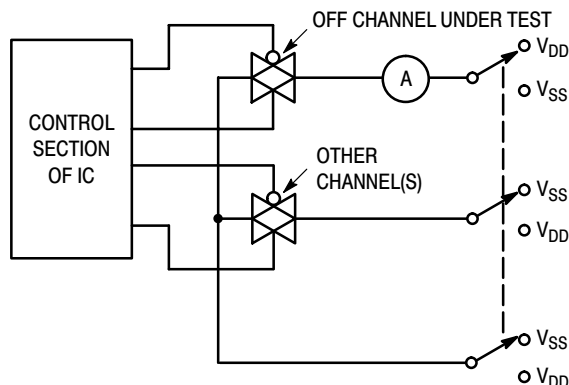


Figure 2. Off Channel Leakage

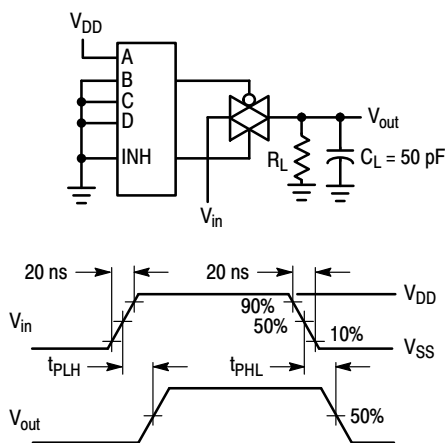


Figure 3. Propagation Delay Test Circuit and Waveforms V_{in} to V_{out}

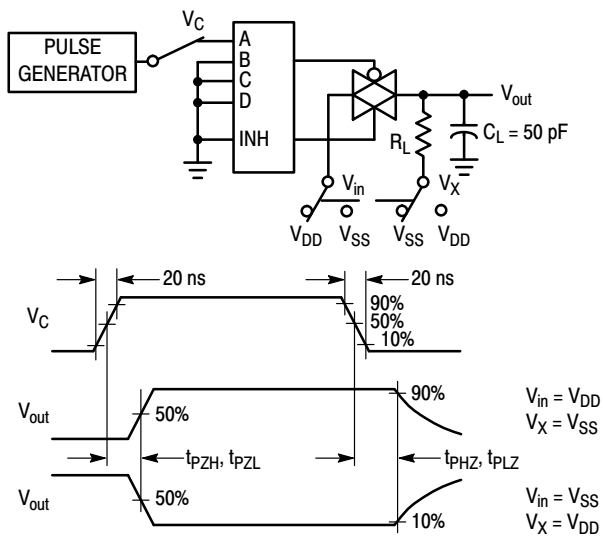


Figure 4. Turn-On and Delay Turn-Off Test Circuit and Waveforms

MC14067B

A, B, and C inputs used to turn ON or OFF the switch under test.

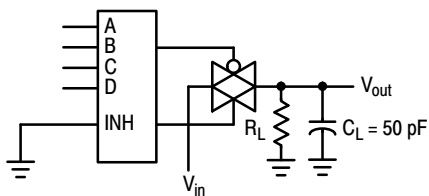


Figure 5. Bandwidth and Off-Channel Feedthrough Attenuation

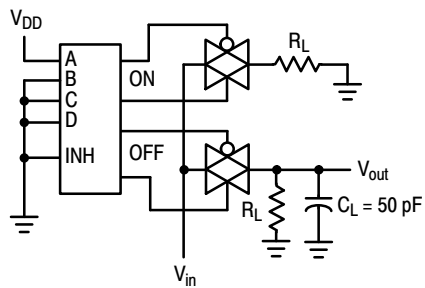


Figure 6. Channel Separation (Adjacent Channels Used for Setup)

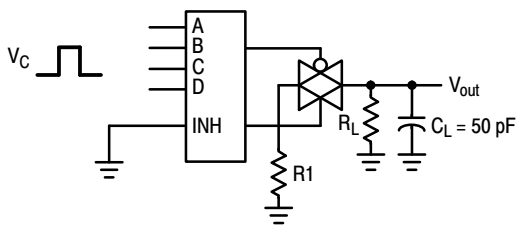


Figure 7. Crosstalk, Control to Common O/I

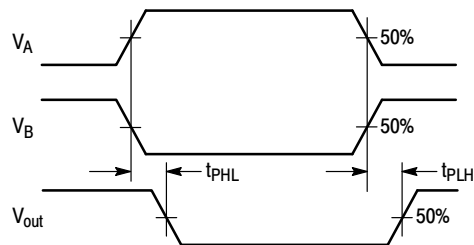
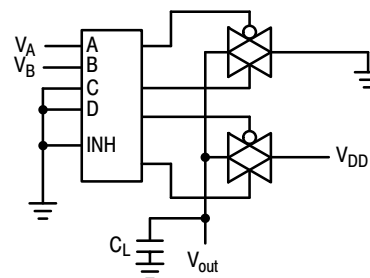


Figure 9. Propagation Delay, Any Pair of Address Inputs to Output

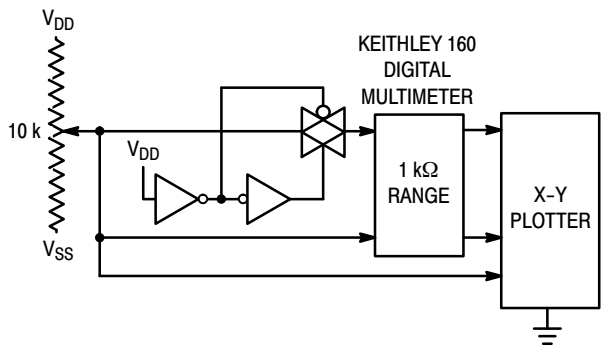


Figure 8. Channel Resistance (R_{ON}) Test Circuit

TYPICAL RESISTANCE CHARACTERISTICS

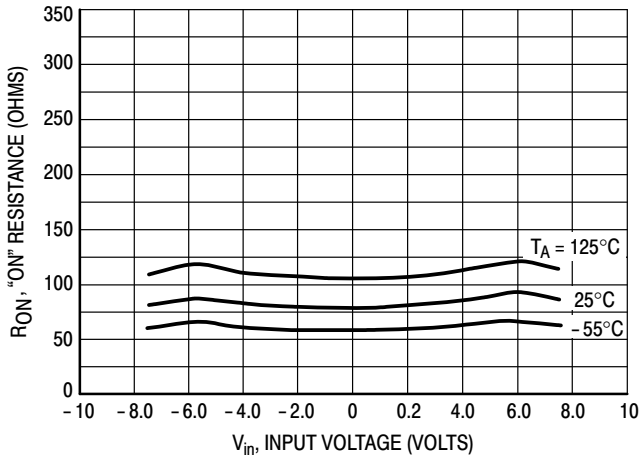


Figure 10. $V_{DD} = 7.5\text{ V}$, $V_{SS} = -7.5\text{ V}$

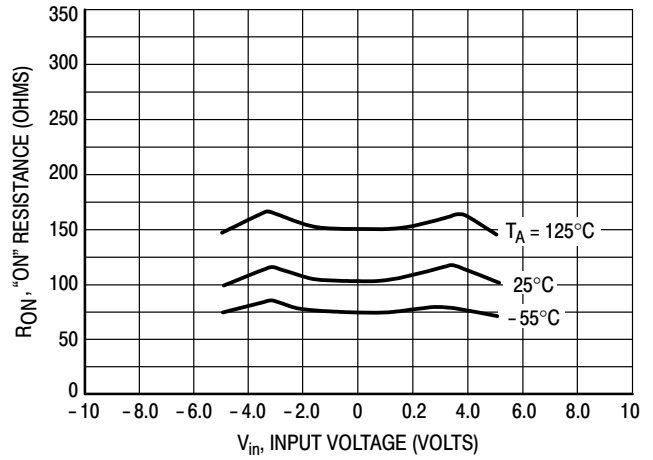


Figure 11. $V_{DD} = 5.0\text{ V}$, $V_{SS} = -5.0\text{ V}$

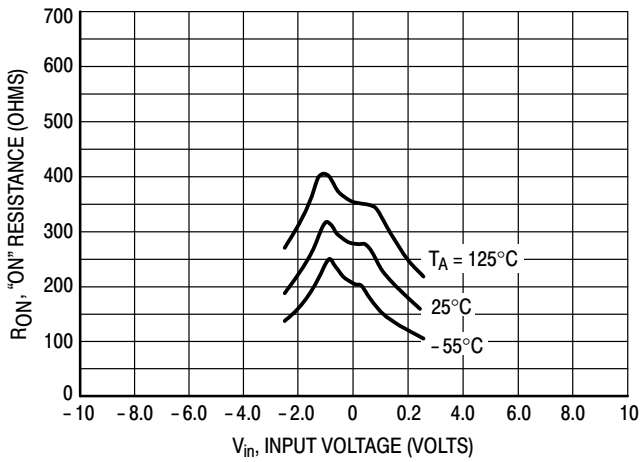


Figure 12. $V_{DD} = 2.5\text{ V}$, $V_{SS} = -2.5\text{ V}$

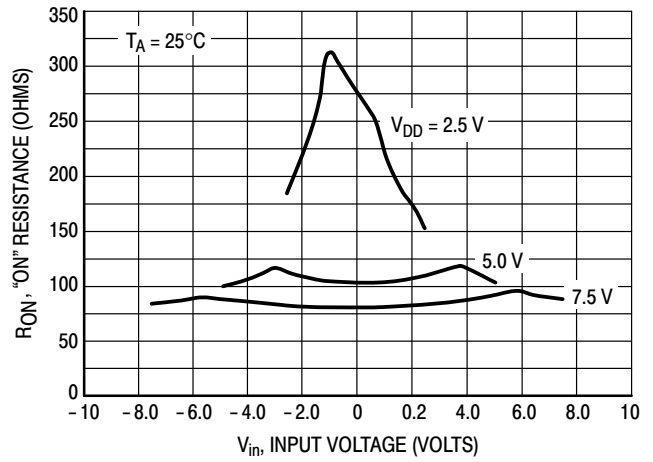


Figure 13. Comparison at 25°C, $V_{DD} = -V_{SS}$

MC14067B

APPLICATIONS INFORMATION

Figure A illustrates use of the Analog Multiplexer / Demultiplexer. The 0-to-5 V Digital Control signal is used to directly control a 5 V_{p-p} analog signal.

The digital control logic levels are determined by V_{DD} and V_{SS}. The V_{DD} voltage is the logic high voltage; the V_{SS} voltage is logic low. For the example, V_{DD} = +5 V = logic high at the control inputs; V_{SS} = GND = 0 V = logic low.

The maximum analog signal level is determined by V_{DD} and V_{SS}. The analog voltage must swing neither higher than V_{DD} nor lower than V_{SS}. The example shows a 5 V_{p-p}

signal which allows no margin at either peak. If voltage transients above V_{DD} and/or below V_{SS} are anticipated on the analog channels, external diodes (D_x) are recommended as shown in Figure B. These diodes should be small signal types able to absorb the maximum anticipated current surges during clipping.

The absolute maximum potential difference between V_{DD} and V_{SS} is 18.0 volts. Most parameters are specified up to 15 V which is the recommended maximum difference between V_{DD} and V_{SS}.

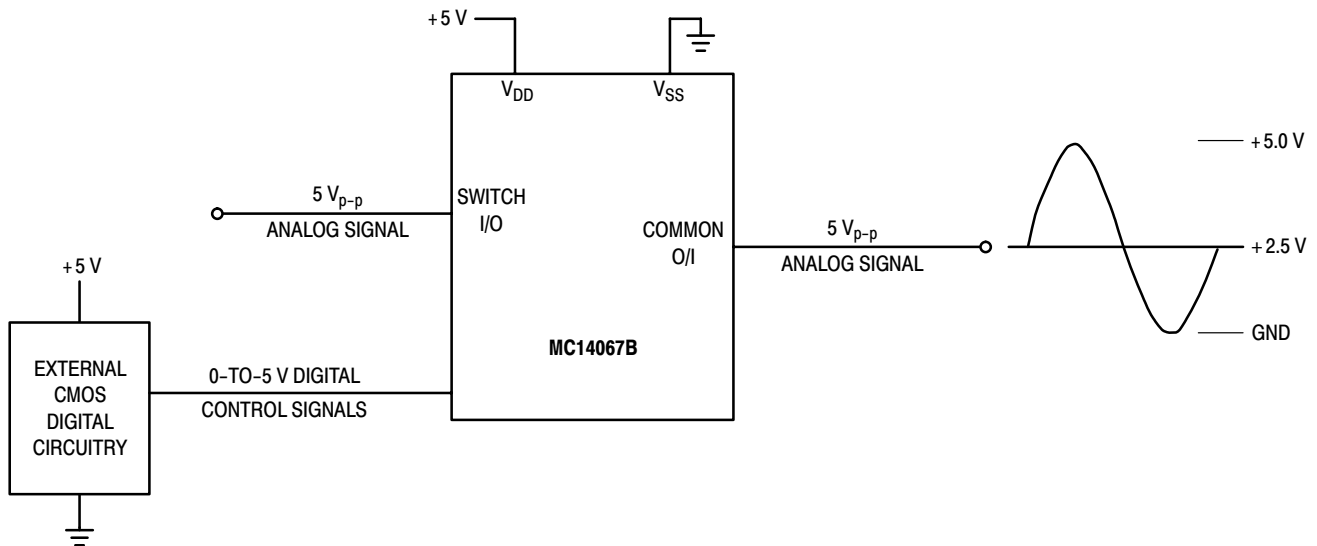


Figure A. Application Example

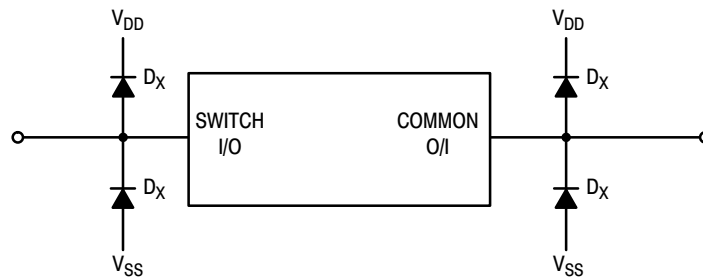
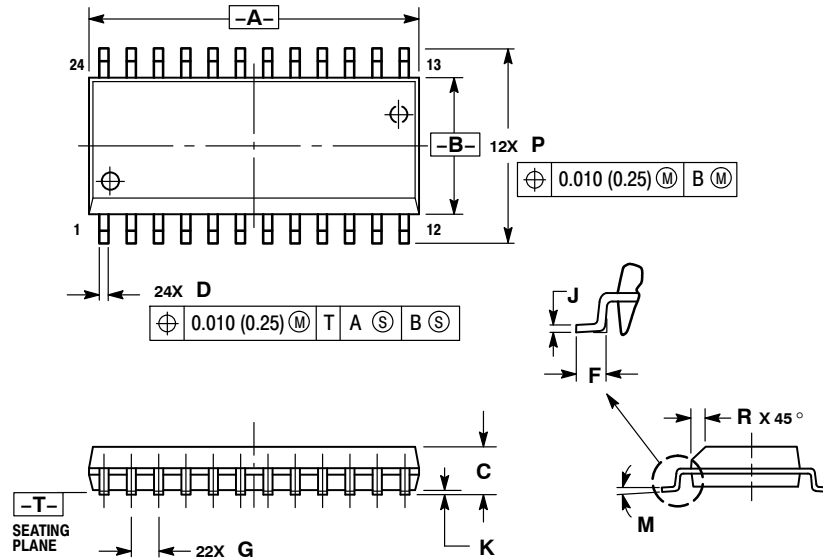


Figure B. External Germanium or Schottky Clipping Diodes

MC14067B

PACKAGE DIMENSIONS

SOIC-24
DW SUFFIX
CASE 751E-04
ISSUE E



NOTES:

1. DIMENSIONING AND TOLERANCING PER ANSI Y14.5M, 1982.
2. CONTROLLING DIMENSION: MILLIMETER.
3. DIMENSIONS A AND B DO NOT INCLUDE MOLD PROTRUSION.
4. MAXIMUM MOLD PROTRUSION 0.15 (0.006) PER SIDE.
5. DIMENSION D DOES NOT INCLUDE DAMBAR PROTRUSION. ALLOWABLE DAMBAR PROTRUSION SHALL BE 0.13 (0.005) TOTAL IN EXCESS OF D DIMENSION AT MAXIMUM MATERIAL CONDITION.

| DIM | MILLIMETERS | | INCHES | |
|-----|-------------|-------|-----------|-------|
| | MIN | MAX | MIN | MAX |
| A | 15.25 | 15.54 | 0.601 | 0.612 |
| B | 7.40 | 7.60 | 0.292 | 0.299 |
| C | 2.35 | 2.65 | 0.093 | 0.104 |
| D | 0.35 | 0.49 | 0.014 | 0.019 |
| F | 0.41 | 0.90 | 0.016 | 0.035 |
| G | 1.27 BSC | | 0.050 BSC | |
| J | 0.23 | 0.32 | 0.009 | 0.013 |
| K | 0.13 | 0.29 | 0.005 | 0.011 |
| M | 0° | 8° | 0° | 8° |
| P | 10.05 | 10.55 | 0.395 | 0.415 |
| R | 0.25 | 0.75 | 0.010 | 0.029 |

ON Semiconductor and are registered trademarks of Semiconductor Components Industries, LLC (SCILLC). SCILLC reserves the right to make changes without further notice to any products herein. SCILLC makes no warranty, representation or guarantee regarding the suitability of its products for any particular purpose, nor does SCILLC assume any liability arising out of the application or use of any product or circuit, and specifically disclaims any and all liability, including without limitation special, consequential or incidental damages. "Typical" parameters which may be provided in SCILLC data sheets and/or specifications can and do vary in different applications and actual performance may vary over time. All operating parameters, including "Typicals" must be validated for each customer application by customer's technical experts. SCILLC does not convey any license under its patent rights nor the rights of others. SCILLC products are not designed, intended, or authorized for use as components in systems intended for surgical implant into the body, or other applications intended to support or sustain life, or for any other application in which the failure of the SCILLC product could create a situation where personal injury or death may occur. Should Buyer purchase or use SCILLC products for any such unintended or unauthorized application, Buyer shall indemnify and hold SCILLC and its officers, employees, subsidiaries, affiliates, and distributors harmless against all claims, costs, damages, and expenses, and reasonable attorney fees arising out of, directly or indirectly, any claim of personal injury or death associated with such unintended or unauthorized use, even if such claim alleges that SCILLC was negligent regarding the design or manufacture of the part. SCILLC is an Equal Opportunity/Affirmative Action Employer. This literature is subject to all applicable copyright laws and is not for resale in any manner.

PUBLICATION ORDERING INFORMATION

LITERATURE FULFILLMENT:

Literature Distribution Center for ON Semiconductor
P.O. Box 5163, Denver, Colorado 80217 USA
Phone: 303-675-2175 or 800-344-3860 Toll Free USA/Canada
Fax: 303-675-2176 or 800-344-3867 Toll Free USA/Canada
Email: orderlit@onsemi.com

N. American Technical Support: 800-282-9855 Toll Free
USA/Canada
Europe, Middle East and Africa Technical Support:
Phone: 421 33 790 2910
Japan Customer Focus Center
Phone: 81-3-5773-3850

ON Semiconductor Website: www.onsemi.com

Order Literature: <http://www.onsemi.com/orderlit>

For additional information, please contact your local Sales Representative