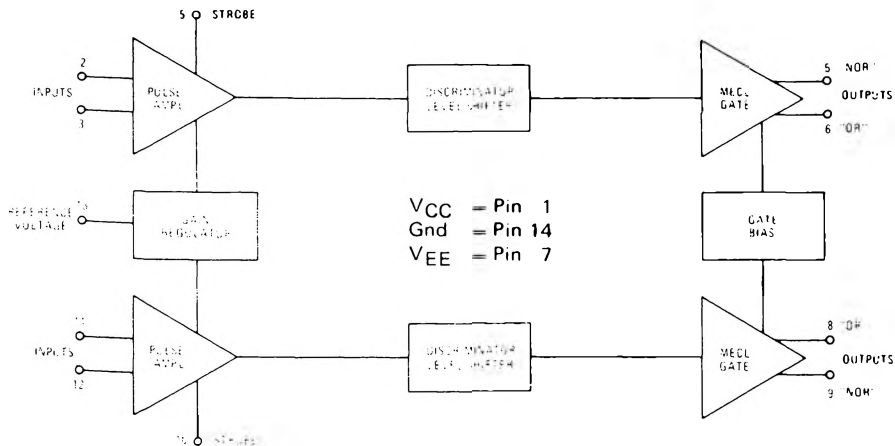


Dual Sense Amplifier

... a dual dc coupled sense amplifier providing output levels compatible with emitter-coupled logic levels. The Mc1543L offers

adjustable threshold and excellent threshold stability over a wide range of power-supply voltage variation.

- Input Threshold — Adjustable from 10 to 40 mV (Positive or Negative Signals)
- Both OR and NOR Outputs Available
- Low Power Dissipation
- Threshold Insensitive to V_{CC} or V_{EE} Voltage Variation
- Each Amplifier is Separately Strobed



Power Supply Currents

$$(V_2 = V_3 = V_{11} = V_{12} = V_{14} = 0)$$

$$I_{CC} = 9.5 \text{ mAdc/typ}$$

$$I_{EE} = 26.5 \text{ mAdc/typ}$$

Propagation Delay (Input to Output)

$$t_{IO} = 28 \text{ ns/typ}$$

Propagation Delay (Strobe to Output)

$$t_{SO} = 16 \text{ ns/typ}$$

MC1543L

COMPATIBLE CIRCUITS