



CMOS Micro-Power Comparator plus Voltage Follower

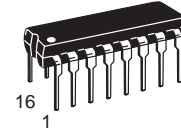
The MC14578 is an analog building block consisting of a very-high input impedance comparator. The voltage follower allows monitoring the noninverting input of the comparator without loading.

Four enhancement-mode MOSFETs are also included on chip. These FETs can be externally configured as open-drain or totem-pole outputs. The drains have on-chip static-protecting diodes. Therefore, the output voltage must be maintained between V_{SS} and V_{DD} .

The chip requires one external component. A $3.9\text{ M}\Omega \pm 10\%$ resistor must be connected from the R_{bias} pin to V_{DD} . This circuit is designed to operate in smoke detector systems that comply with UL217 and UL268 specifications.

- Applications:
 - Pulse Shapers
 - Line-Powered Smoke Detectors
 - Threshold Detectors
 - Liquid/Moisture Sensors
 - Low-Battery Detectors
 - CO Detector and Micro Interface
- Operating Voltage Range: 3.5 to 14 V
- Operating Temperature Range: -30° to 70°C
- Input Current ($IN +$ Pin): $\pm 1\text{ pA}$ @ 25°C (DIP Only)
- Quiescent Current: $10\text{ }\mu\text{A}$ @ 25°C
- Electrostatic Discharge (ESD) Protection Circuitry on All Pins

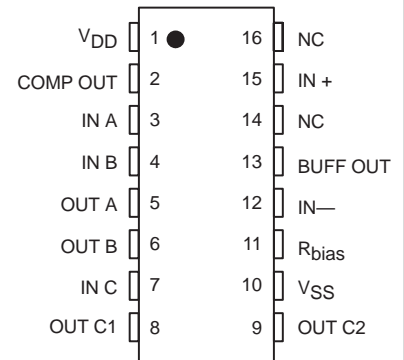
MC14578



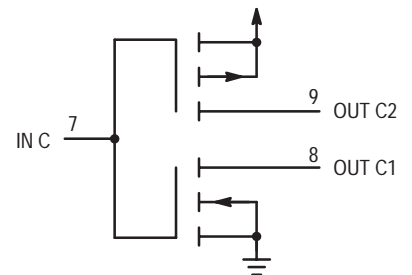
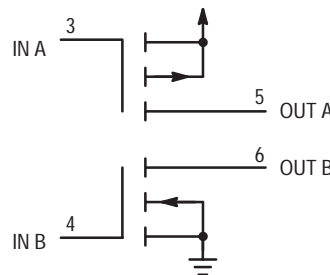
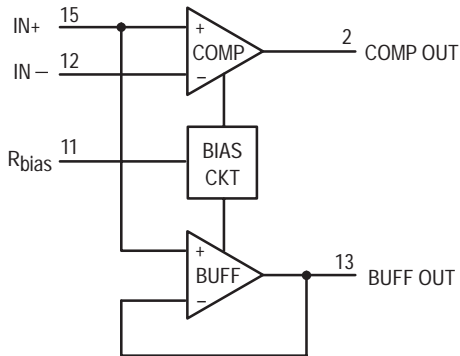
**P SUFFIX
PLASTIC DIP
CASE 648-08**

ORDERING INFORMATION
MC14578P PLASTIC DIP

PIN ASSIGNMENT



LOGIC DETAIL



PIN 1 = V_{DD}
PIN 10 = V_{SS}
PINS 14, 16 = NO CONNECTION

MC14578

MAXIMUM RATINGS* (Voltages Referenced to V_{SS})

Symbol	Parameter	Value	Unit
V_{DD}	DC Supply Voltage	-0.5 to +14	V
V_{in}	DC Input Voltage	-0.5 to $V_{DD} + 0.5$	V
V_{out}	DC Output Voltage	-0.5 to $V_{DD} + 0.5$	V
I_{in}	DC Input Current, Except IN +	± 10	mA
I_{in}	DC Input Current, IN +	± 1.0	mA
I_{out}	DC Output Current, per Pin	± 25	mA
I_{DD}	DC Supply Current, V_{DD} and V_{SS} Pins	± 50	mA
P_D	Power Dissipation, per Package	500	mW
T_{stg}	Storage Temperature	-65 to +150	°C
T_L	Lead Temperature (10-Second Soldering)	260	°C

*Maximum Ratings are those values beyond which damage to the device may occur.

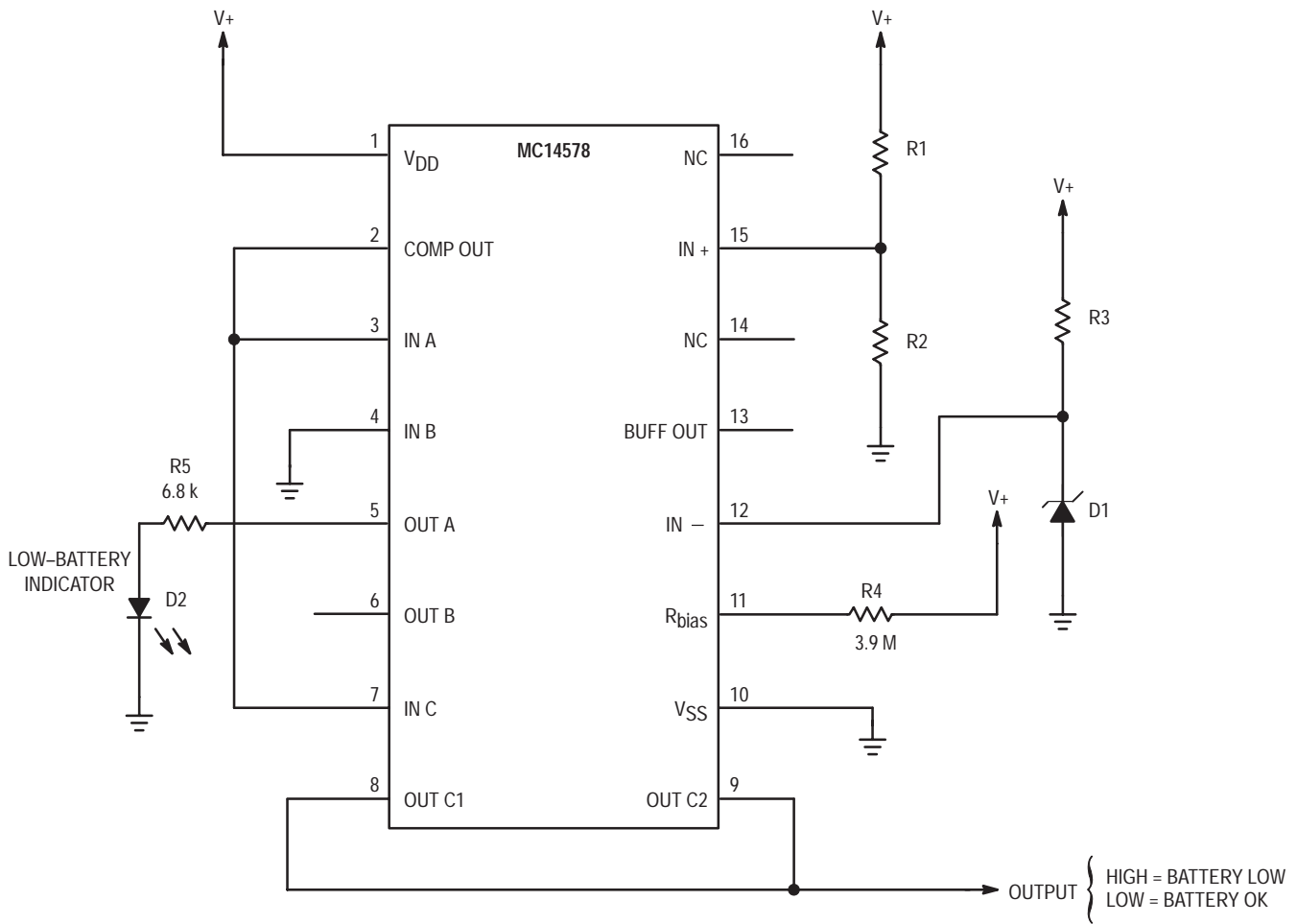
This device contains protection circuitry to guard against damage due to high static voltages or electric fields. However, precautions must be taken to avoid applications of any voltage higher than maximum rated voltages to this high-impedance circuit. For proper operation, V_{in} and V_{out} should be constrained to the range $V_{SS} \leq (V_{in} \text{ or } V_{out}) \leq V_{DD}$.

Unused inputs must always be tied to an appropriate logic voltage level (e.g., either V_{SS} or V_{DD}). Unused outputs must be left open.

ELECTRICAL CHARACTERISTICS (Voltages Referenced to V_{SS} , $R_{bias} = 3.9\text{ M}\Omega$ to V_{DD} , $T_A = -30^\circ$ to 70°C Unless Otherwise Indicated)

Symbol	Parameter	Test Condition	V_{DD} V	Guaranteed Limit	Unit
V_{DD}	Power Supply Voltage Range		—	3.5 to 14.0	V
V_{IL}	Maximum Low-Level Input Voltage, MOSFETs Wired as Inverters; i.e., IN A tied to IN B, OUT A to OUT B, OUT C1 to OUT C2.	$V_{out} = 9.0\text{ V}$, $ I_{out} < 1\ \mu\text{A}$	10.0	2.0	V
V_{IH}	Minimum High-Level Input Voltage, MOSFETs Wired as Inverters; i.e., IN A tied to IN B, OUT A to OUT B, OUT C1 to OUT C2.	$V_{out} = 1.0\text{ V}$, $ I_{out} < 1\ \mu\text{A}$	10.0	8.0	V
V_{IO}	Comparator Input Offset Voltage	$T_A = 25^\circ\text{C}$, Over Common Mode Range	10.0	± 50	mV
		$T_A = 0^\circ$ to 50°C , Over Common Mode Range	3.5 to 14.0	± 75	
V_{CM}	Comparator Common Mode Voltage Range		3.5 to 14.0	0.7 to $V_{DD} - 1.5$	V
V_{OL}	Maximum Low-Level Comparator Output Voltage	IN +: $V_{in} = V_{SS}$, IN -: $V_{in} = V_{DD}$, $I_{out} = 30\ \mu\text{A}$	10.0	0.5	V
V_{OH}	Minimum High-Level Comparator Output Voltage	IN +: $V_{in} = V_{DD}$, IN -: $V_{in} = V_{SS}$, $I_{out} = -30\ \mu\text{A}$	10.0	9.5	V
V_{OO}	Buffer Amp Output Offset Voltage	$R_{load} = 10\text{ M}\Omega$ to V_{DD} or V_{SS} , Over Common Mode Range	—	± 100	mV
V_{OL}	Maximum Low-Level Output Voltage, MOSFETs Wired as Inverters; i.e., IN A tied to IN B, OUT A to OUT B, OUT C1 to OUT C2.	OUT C1, OUT C2: $I_{out} = 1.1\text{ mA}$	10.0	0.5	V
		OUT A, OUT B: $I_{out} = 270\ \mu\text{A}$	10.0	0.5	V
V_{OH}	Minimum High-Level Output Voltage, MOSFETs Wired as Inverters; i.e., IN A tied to IN B, OUT A to OUT B, OUT C1 to OUT C2.	OUT C1, OUT C2: $I_{out} = -1.1\text{ mA}$	10.0	9.5	V
		OUT A, OUT B: $I_{out} = 270\ \mu\text{A}$	10.0	9.5	V
I_{in}	Maximum Input Leakage Current IN + (DIP Only) IN + (DIP Only) IN + (SOG), IN A, IN B, IN C, IN -	$T_A = 25^\circ\text{C}$, 40% R.H., $V_{in} = V_{SS}$ or V_{DD}	10.0	± 1.0	pA
		$T_A = 50^\circ\text{C}$, $V_{in} = V_{SS}$ or V_{DD}	10.0	± 6.0	
		$V_{in} = V_{SS}$ or V_{DD}	10.0	± 40	nA
I_{OZ}	Maximum Off-State MOSFET Leakage Current	IN A, IN C: $V_{in} = V_{DD}$, OUT A, OUT C2: $V_{out} = V_{SS}$ or V_{DD}	10.0	± 100	nA
		IN B, IN C: $V_{in} = V_{SS}$, OUT B, OUT C1: $V_{out} = V_{SS}$ or V_{DD}	10.0	± 100	
I_{DD}	Maximum Quiescent Current	$T_A = 25^\circ\text{C}$ IN A, IN B, IN C: $V_{in} = V_{SS}$ or V_{DD} , $ V_{IN+} - V_{IN-} = 100\text{ mV}$, $I_{out} = 0\ \mu\text{A}$	10.0	10	μA
C_{in}	Maximum Input Capacitance IN + Other Inputs	$f = 1\text{ kHz}$	—	5.0	pF
			—	15	

APPLICATIONS INFORMATION



NOTE: IN + and IN - have very high input impedance. Interconnect to these pins should be as short as possible.

Figure 1. Low-Battery Detector

EXAMPLE VALUES

Near the switchpoint, the comparator output in the circuit of Figure 1 may chatter or oscillate. This oscillation appears on the signal labelled OUTPUT. In some cases, the oscillation in the transition region will not cause problems. For example, an MPU reading OUTPUT could sample the signal two or three times to ensure a solid level is attained. But, in a low battery detector, this probably is not necessary.

To eliminate comparator chatter, hysteresis can be added as shown in Figure 2. The circuit of Figure 2 requires slightly more operating current than the Figure 1 arrangement.

R1	R2	R3	Nominal Trip Point
470 kΩ	1.3 MΩ	20 kΩ	4.08 V
820 kΩ	1.2 MΩ	39 kΩ	5.05 V
1.2 MΩ	1.2 MΩ	62 kΩ	6.00 V

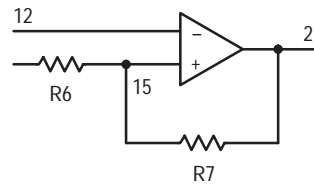
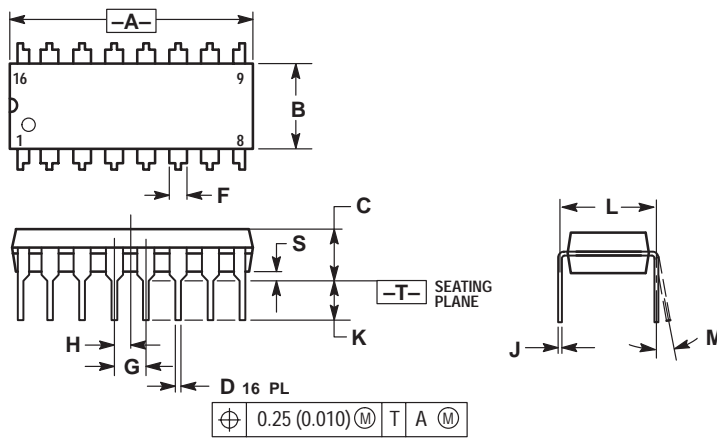


Figure 2. Adding Hysteresis

PACKAGE DIMENSIONS



NOTES:

1. DIMENSIONING AND TOLERANCING PER ANSI Y14.5M, 1982.
2. CONTROLLING DIMENSION: INCH.
3. DIMENSION L TO CENTER OF LEADS WHEN FORMED PARALLEL.
4. DIMENSION B DOES NOT INCLUDE MOLD FLASH.
5. ROUNDED CORNERS OPTIONAL.

DIM	INCHES		MILLIMETERS	
	MIN	MAX	MIN	MAX
A	0.740	0.770	18.80	19.55
B	0.250	0.270	6.35	6.85
C	0.145	0.175	3.69	4.44
D	0.015	0.021	0.39	0.53
F	0.040	0.70	1.02	1.77
G	0.100 BSC		2.54 BSC	
H	0.050 BSC		1.27 BSC	
J	0.008	0.015	0.21	0.38
K	0.110	0.130	2.80	3.30
L	0.295	0.305	7.50	7.74
M	0°	10°	0°	10°
S	0.020	0.040	0.51	1.01

STYLE 1:

- PIN 1. CATHODE
- 2. CATHODE
- 3. CATHODE
- 4. CATHODE
- 5. CATHODE
- 6. CATHODE
- 7. CATHODE
- 8. CATHODE
- 9. ANODE
- 10. ANODE
- 11. ANODE
- 12. ANODE
- 13. ANODE
- 14. ANODE
- 15. ANODE
- 16. ANODE

STYLE 2:


- PIN 1. COMMON DRAIN
- 2. COMMON DRAIN
- 3. COMMON DRAIN
- 4. COMMON DRAIN
- 5. COMMON DRAIN
- 6. COMMON DRAIN
- 7. COMMON DRAIN
- 8. COMMON DRAIN
- 9. GATE
- 10. SOURCE
- 11. GATE
- 12. SOURCE
- 13. GATE
- 14. SOURCE
- 15. GATE
- 16. SOURCE

CASE 648-08
ISSUE R

NOTES

NOTES

Mfax is a trademark of Motorola, Inc.

Motorola reserves the right to make changes without further notice to any products herein. Motorola makes no warranty, representation or guarantee regarding the suitability of its products for any particular purpose, nor does Motorola assume any liability arising out of the application or use of any product or circuit, and specifically disclaims any and all liability, including without limitation consequential or incidental damages. "Typical" parameters which may be provided in Motorola data sheets and/or specifications can and do vary in different applications and actual performance may vary over time. All operating parameters, including "Typicals" must be validated for each customer application by customer's technical experts. Motorola does not convey any license under its patent rights nor the rights of others. Motorola products are not designed, intended, or authorized for use as components in systems intended for surgical implant into the body, or other applications intended to support or sustain life, or for any other application in which the failure of the Motorola product could create a situation where personal injury or death may occur. Should Buyer purchase or use Motorola products for any such unintended or unauthorized application, Buyer shall indemnify and hold Motorola and its officers, employees, subsidiaries, affiliates, and distributors harmless against all claims, costs, damages, and expenses, and reasonable attorney fees arising out of, directly or indirectly, any claim of personal injury or death associated with such unintended or unauthorized use, even if such claim alleges that Motorola was negligent regarding the design or manufacture of the part. Motorola and  are registered trademarks of Motorola, Inc. Motorola, Inc. is an Equal Opportunity/Affirmative Action Employer.

How to reach us:

USA/EUROPE/Locations Not Listed: Motorola Literature Distribution; P.O. Box 5405, Denver, Colorado 80217.
1-303-675-2140 or 1-800-441-2447

JAPAN: Motorola Japan Ltd.; SPS, Technical Information Center, 3-20-1, Minami-Azabu. Minato-ku, Tokyo 106-8573 Japan.
81-3-3440-3569

ASIA/PACIFIC: Motorola Semiconductors H.K. Ltd.; Silicon Harbour Centre, 2 Dai King Street, Tai Po Industrial Estate, Tai Po, N.T., Hong Kong. 852-26668334

Customer Focus Center: 1-800-521-6274

Mfax™: RMFAX0@email.sps.mot.com – TOUCHTONE 1-602-244-6609
Motorola Fax Back System – US & Canada ONLY 1-800-774-1848
– http://sps.motorola.com/mfax/

HOME PAGE: <http://motorola.com/sps/>