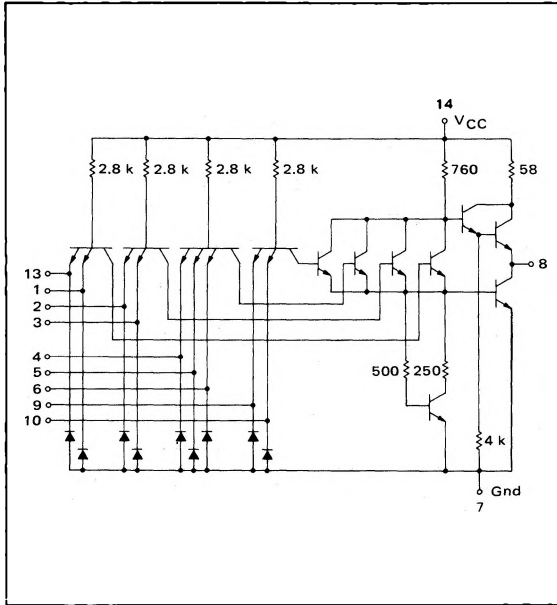
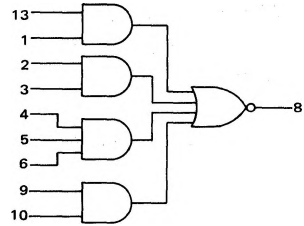


4-WIDE 2-2-2-3-INPUT  
"AND-OR-INVERT" GATE

**MC3133F • MC3033F**  
**MC3133L • MC3033L,P**  
(54H54J) (74H54J,N)



This device consists of four 2-2-2-3-input AND gates ORed together and inverted.



Positive Logic:

$$8 = (13 + 1) + (2 + 3) + (4 + 5 + 6) + (9 + 10)$$

Negative Logic:

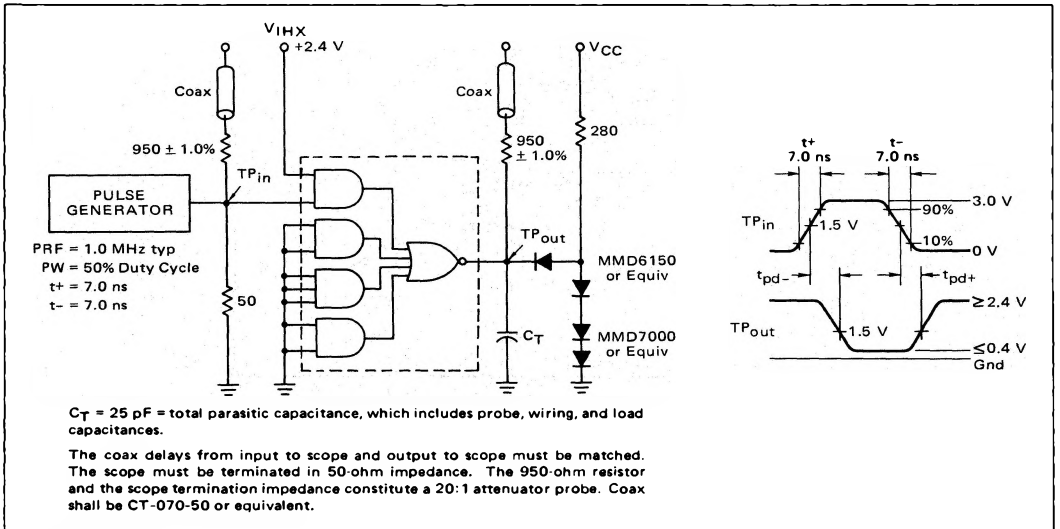
$$8 = 13 + 1 + (2 + 3) + (4 + 5 + 6) + (9 + 10)$$

Input Loading Factor = 1  
Output Loading Factor = 10  
Total Power Dissipation = 40 mW typ/pkg  
Propagation Delay Time = 7 ns typ

Pin numbers for the 54H54F/74H54F device are shown in the chart. These devices are available on special request.

DEVICE	PIN NUMBERS													
MC3133F,L/3033F,L,P	1	2	3	4	5	6	7	8	9	10	11	12	13	14
54H54F/74H54F	5	6	7	8	9	10	11	12	13	14	1	2	3	4

SWITCHING TIME TEST CIRCUIT AND WAVEFORMS



See General Information section for packaging.

