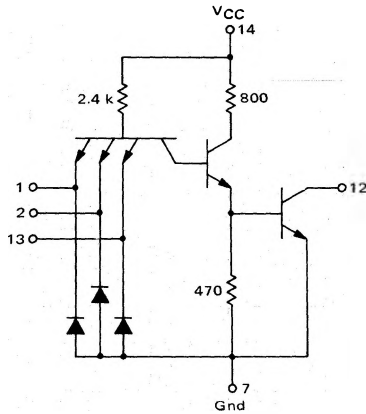


TRIPLE 3-INPUT "NAND" GATE
(Open Collector)

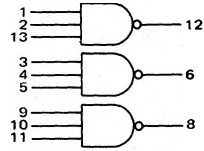
MC3100/MC3000 series

MC3107F • MC3007F
MC3107L • MC3007L,P

CIRCUIT SCHEMATIC
1/3 OF CIRCUIT SHOWN



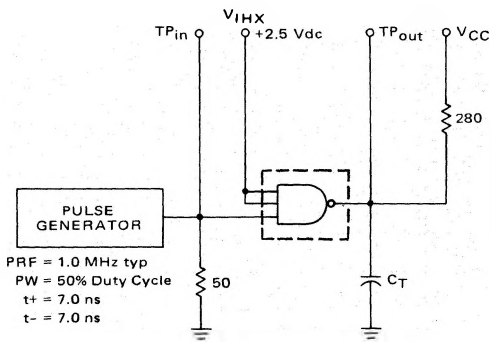
This device consists of three 3-input NAND gates with no output pull-up circuits. It can be used where the Wired-OR function is required or for driving discrete components.



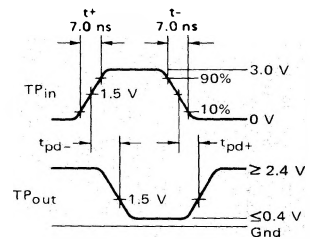
Positive Logic: $12 = \overline{1 \cdot 2 \cdot 13}$
Negative Logic: $12 = \overline{1 + 2 + 13}$

Input Loading Factor = 1
Output Loading Factor = 10
Total Power Dissipation = 66 mW typ/pkg
Propagation Delay Time = 8.0 ns typ

SWITCHING TIME TEST CIRCUIT AND WAVEFORMS



PULSE GENERATOR
PRF = 1.0 MHz typ
PW = 50% Duty Cycle
 $t^+ = 7.0$ ns
 $t^- = 7.0$ ns



$C_T = 25$ pF = total parasitic capacitance, which includes probe, wiring, and load capacitances.

