

4-BIT SHIFT REGISTER

MC5400/7400 series

MC5494
MC7494

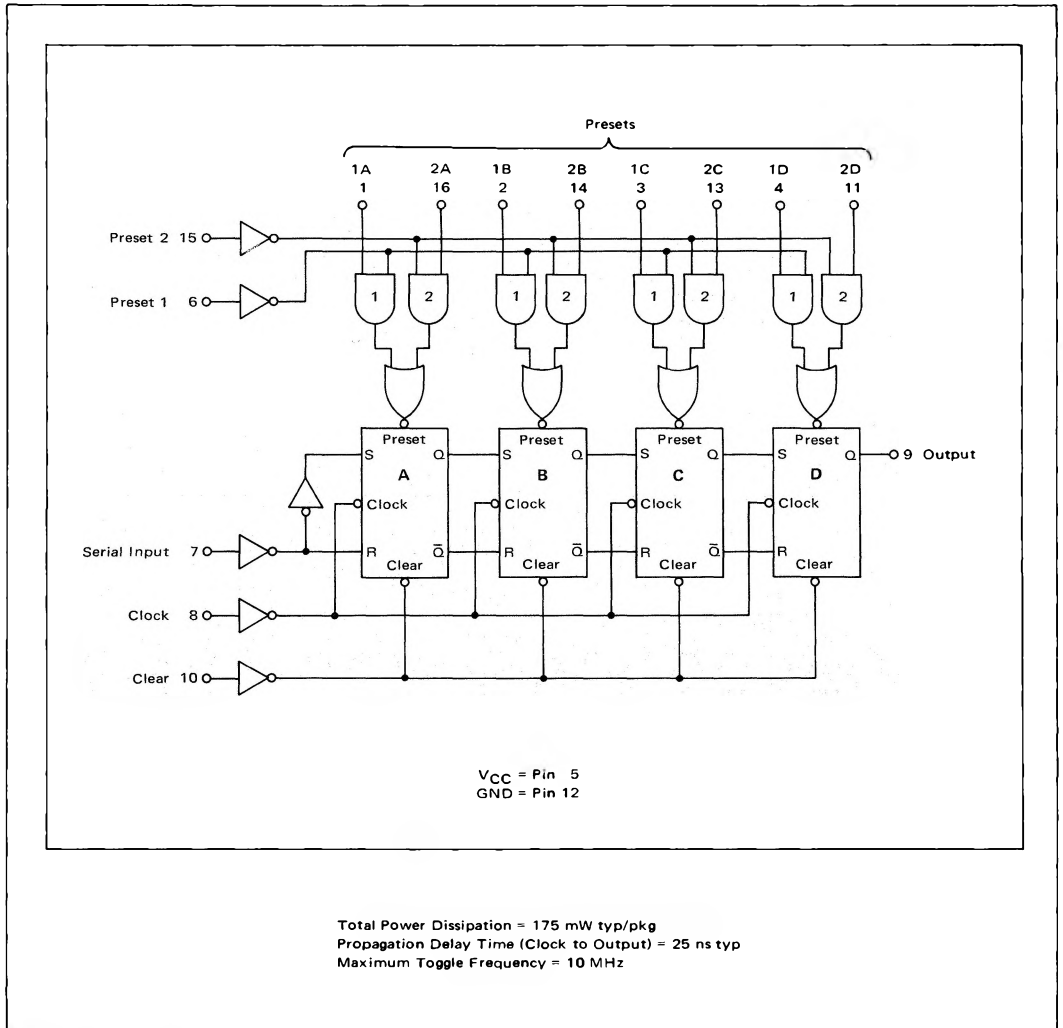
Compatible with MC5400/7400 Series devices.

ADVANCE INFORMATION/PRODUCT PREVIEW*

Soon to be announced, the MC5494/7494 4-bit shift register is constructed of four R-S master-slave flip-flops plus internal gating to accomplish right-shift or parallel-to-serial conversion.

Right-shift operation is accomplished by entering serial data at the serial input prior to the positive transition of the clock pulse.

Parallel operation is accomplished by first clearing all flip-flops and then setting the appropriate flip-flop(s) to the logic "1" state. The common clear input is independent of the clock input, and the separate preset inputs are independent of either clock or clear inputs.



*Products to be introduced