

8-CHANNEL DATA SELECTOR

MC5400/7400 series

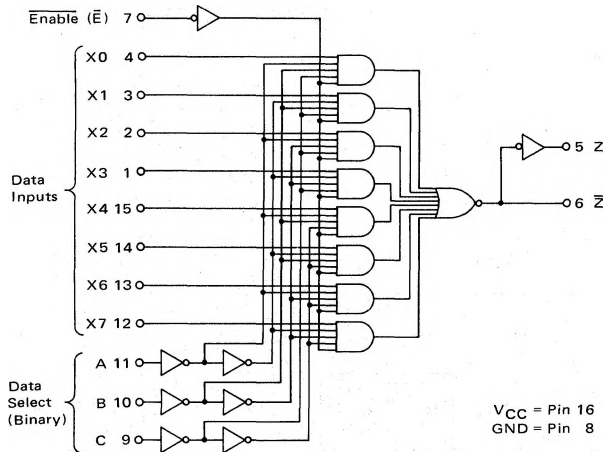
# MC54151 MC74151

Compatible with MC5400/7400 Series devices.

## ADVANCE INFORMATION/PRODUCT PREVIEW \*

Total Power Dissipation = 145 mW typ/pkg  
Propagation Delay Time = 8.5 to 35 ns typ

Soon to be announced, the MC54151/74151 8-channel data selector routes digital data present at one of the eight inputs to complementary outputs, Z and  $\bar{Z}$ . The input data to be routed is chosen according to the select code (binary number) present at the three select inputs.



$$Z = E \cdot (\bar{A}\bar{B}\bar{C} X_0 + \bar{A}\bar{B}C X_1 + \bar{A}B\bar{C} X_2 + \bar{A}BC X_3 + A\bar{B}\bar{C} X_4 + A\bar{B}C X_5 + AB\bar{C} X_6 + ABC X_7)$$