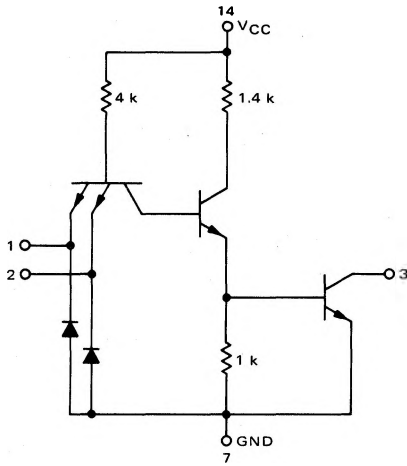


QUAD 2-INPUT INTERFACE
"NAND" GATE

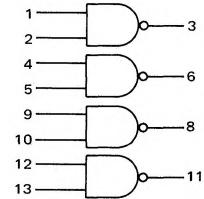
MC5400/7400 series

MC5426L*
MC7426P,L*

1/4 OF CIRCUIT SHOWN



This device features high-output voltage ratings for use as an interface circuit with 12 volt systems, such as low threshold voltage MOS logic circuits. The output is rated at 15 volts, however, V_{CC} is connected to the standard 5 volt source. The output transistor has a 16 milliamp sink capability at an output voltage of 0.4 volt maximum, thus allowing high fan-out drive capability while maintaining the nominal power dissipation of the standard gate.



Positive Logic: $3 = \overline{1 \cdot 2}$

Negative Logic: $3 = \overline{1 + 2}$

Input Loading Factor = 1

Output Loading Factor = 10

Total Power Dissipation = 40 mW typ/pkg

Propagation Delay Time = 17 ns typ

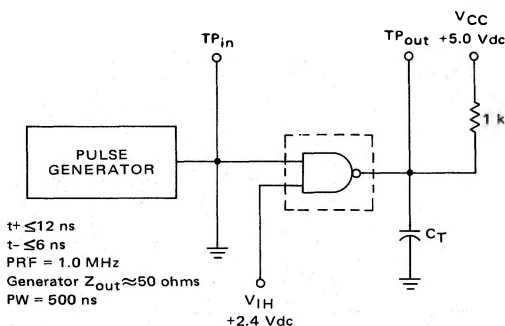
*L suffix = TO-116 ceramic package (Case 632)

P suffix = TO-116 plastic package (Case 605)

See General Information section for package outline dimensions.

VOLTAGE WAVEFORMS AND DEFINITIONS

SWITCHING TIME TEST CIRCUIT



$t^+ \leq 12$ ns
 $t^- \leq 6$ ns
PRF = 1.0 MHz
Generator $Z_{out} \approx 50$ ohms
PW = 500 ns

$C_T = 15$ pF = total parasitic capacitance, which includes probe, wiring, and load capacitances.

High impedance probes (>1.0 megohm) must be used for tests.

