

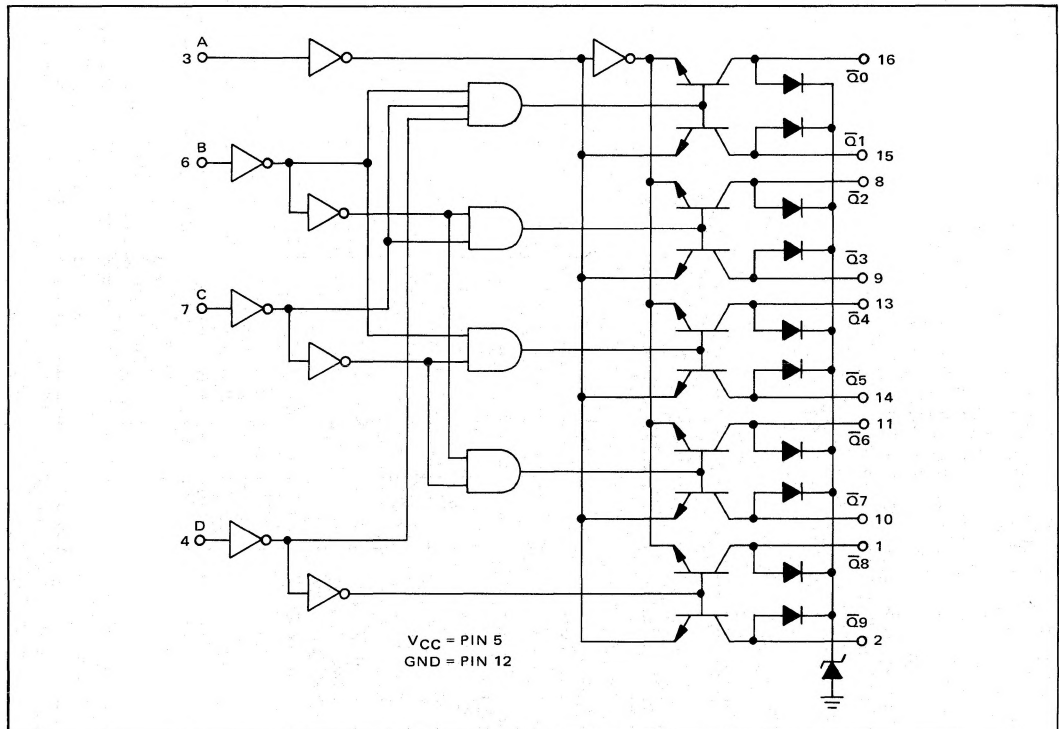
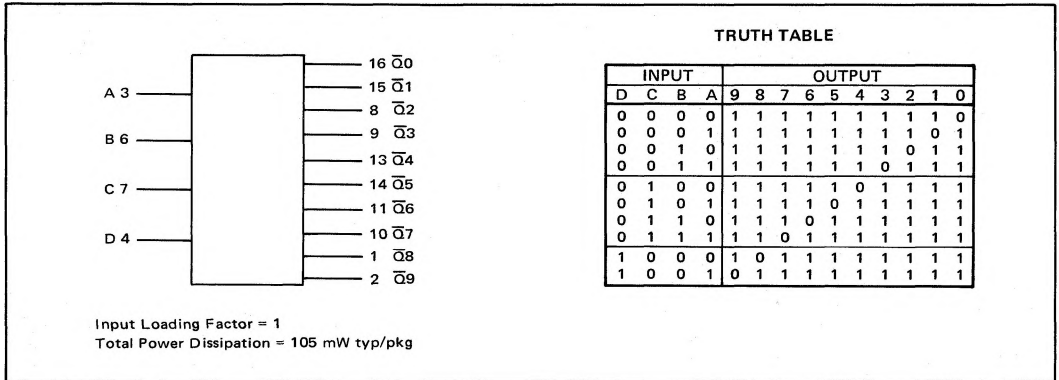
BCD-TO-DECIMAL DECODER
AND HIGH-LEVEL DRIVER

MC5400/7400 series

MC7441AL, P*

This monolithic device is a BCD to one-of-ten decoder with high-level outputs capable of driving gas-filled cold-cathode indicator tubes or other devices requiring high-voltage drivers. In a typical application, this device would be driven by the MC7490 decade counter through the

MC7475 quad bistable latch. The outputs are guaranteed to operate at 55 volts with a maximum of 200 μ A leakage current. The outputs of this device are protected by zener diodes to eliminate the possibility of oscillation due to the breakdown of the output devices.



* L suffix = 16-pin ceramic package (Case 620).
P suffix = 16-pin plastic package (Case 612).

