

## 8MB Double Data Rate HSTL I/O Fast SRAM

The MCM64E918/MCM64E836 are 8M-bit pipelined burst synchronous late write fast static RAMs designed to provide very high data bandwidth in secondary cache applications. The MCM64E918 (organized as 512K words by 18 bits wide) and the MCM64E836 (organized as 256K words by 36 bits wide) are fabricated in Motorola's high performance silicon gate MOS technology.

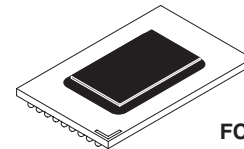
The differential clock (CK) inputs control the timing of read/write operations of the RAM. At the rising edge of CK, all addresses and burst control inputs are registered. An internal buffer and special logic enables the memory to accept write data on the rising or rising and falling edges of the clock, a cycle following address and control signals. Read data is driven on the rising or rising and falling edges of the CK clock and is referenced to echo clock (CQ and  $\overline{CQ}$ ) outputs.

The MCM64E918/MCM64E836 have HSTL inputs and outputs. The adjustable input trip-point ( $V_{ref}$ ) and output power supply voltage ( $V_{DDQ}$ ) gives the system designer greater flexibility in optimizing system performance.

The impedance of the output buffers is programmable, allowing the outputs to match the impedance of the circuit traces, which reduces signal reflections.

- Single 2.5 V  $\pm$  5% Power Supply
- Single Data Rate (SDR) and Double Data Rate (DDR) Burst Read and Write
- Pin Selectable Linear or Interleaved Burst Order
- Four Tick Burst with Automatic Wrap-Around
- Differential Clock Inputs
- Active High and Active Low Echo Clock Outputs
- 1.8 V Expanded HSTL — I/O (JEDEC Standard JESD8-6 Class I Compatible)
- 1.8 V Expanded HSTL — Compatible Programmable Impedance Output Drivers
- Pipelined (Register to Register) Synchronous Operation
- Boundary Scan (JTAG) IEEE 1149.1 Compatible
- Stop Clock Functionality Supported
- Optional x18 or x36 Organization
- MCM64E918/MCM64E836-3.0 = 3.0 ns Clock Cycle Time
- MCM64E918/MCM64E836-3.3 = 3.3 ns Clock Cycle Time
- MCM64E918/MCM64E836-4.0 = 4.0 ns Clock Cycle Time
- 9 x 17 (153) Bump, 50 mil (1.27 mm) Pitch, 14 mm x 22 mm Flipped Chip Plastic Ball Grid Array (PBGA) package

**MCM64E918**  
**MCM64E836**



**FC PACKAGE**  
**FLIPPED CHIP PBGA**  
**CASE 1107C-03**

### PIN ASSIGNMENTS

	1	2	3	4	5	6	7	8	9
A	○ V <sub>SS</sub>	○ V <sub>DDQ</sub>	○ SA	○ SA	○ ZQ	○ SA	○ SA	○ V <sub>DDQ</sub>	○ V <sub>SS</sub>
B	○ NC	○ DQ	○ SA	○ V <sub>SS</sub>	○ B1	○ V <sub>SS</sub>	○ SA	○ NC	○ DQ
C	○ V <sub>SS</sub>	○ V <sub>DDQ</sub>	○ SA	○ SA	○ $\bar{G}$	○ SA	○ SA	○ V <sub>DDQ</sub>	○ V <sub>SS</sub>
D	○ DQ	○ NC	○ NC	○ V <sub>SS</sub>	○ V <sub>DD</sub>	○ V <sub>SS</sub>	○ SA	○ DQ	○ NC
E	○ V <sub>SS</sub>	○ V <sub>DDQ</sub>	○ V <sub>SS</sub>	○ V <sub>DD</sub>	○ V <sub>ref</sub>	○ V <sub>DD</sub>	○ V <sub>SS</sub>	○ V <sub>DDQ</sub>	○ V <sub>SS</sub>
F	○ NC	○ CQ	○ NC	○ V <sub>DD</sub>	○ V <sub>DD</sub>	○ V <sub>DD</sub>	○ DQ	○ NC	○ DQ
G	○ V <sub>SS</sub>	○ V <sub>DDQ</sub>	○ V <sub>SS</sub>	○ V <sub>SS</sub>	○ CK	○ V <sub>SS</sub>	○ V <sub>SS</sub>	○ V <sub>DDQ</sub>	○ V <sub>SS</sub>
H	○ DQ	○ NC	○ DQ	○ V <sub>DD</sub>	○ $\bar{CK}$	○ V <sub>DD</sub>	○ NC	○ DQ	○ NC
J	○ V <sub>SS</sub>	○ V <sub>DDQ</sub>	○ V <sub>SS</sub>	○ V <sub>DD</sub>	○ V <sub>DD</sub>	○ V <sub>DD</sub>	○ V <sub>SS</sub>	○ V <sub>DDQ</sub>	○ V <sub>SS</sub>
K	○ NC	○ DQ	○ NC	○ V <sub>SS</sub>	○ B2	○ V <sub>SS</sub>	○ DQ	○ NC	○ DQ
L	○ V <sub>SS</sub>	○ V <sub>DDQ</sub>	○ V <sub>SS</sub>	○ $\bar{LB0}$	○ B3	○ NC	○ V <sub>SS</sub>	○ V <sub>DDQ</sub>	○ V <sub>SS</sub>
M	○ DQ	○ NC	○ DQ	○ V <sub>DD</sub>	○ V <sub>DD</sub>	○ V <sub>DD</sub>	○ NC	○ $\bar{CQ}$	○ NC
N	○ V <sub>SS</sub>	○ V <sub>DDQ</sub>	○ V <sub>SS</sub>	○ V <sub>DD</sub>	○ V <sub>ref</sub>	○ V <sub>DD</sub>	○ V <sub>SS</sub>	○ V <sub>DDQ</sub>	○ V <sub>SS</sub>
P	○ NC	○ DQ	○ SA	○ V <sub>SS</sub>	○ V <sub>DD</sub>	○ V <sub>SS</sub>	○ SA	○ NC	○ DQ
R	○ V <sub>SS</sub>	○ V <sub>DDQ</sub>	○ V <sub>DD</sub>	○ SA	○ SA1	○ SA	○ V <sub>DD</sub>	○ V <sub>DDQ</sub>	○ V <sub>SS</sub>
T	○ DQ	○ NC	○ SA	○ V <sub>SS</sub>	○ SA0	○ V <sub>SS</sub>	○ SA	○ DQ	○ NC
U	○ V <sub>SS</sub>	○ V <sub>DDQ</sub>	○ TMS	○ TDI	○ TCK*	○ TDO	○ NC	○ V <sub>DDQ</sub>	○ V <sub>SS</sub>

**MCM64E918  
TOP VIEW 153-BUMP**

	1	2	3	4	5	6	7	8	9
A	○ V <sub>SS</sub>	○ V <sub>DDQ</sub>	○ SA	○ SA	○ ZQ	○ SA	○ SA	○ V <sub>DDQ</sub>	○ V <sub>SS</sub>
B	○ DQ	○ DQ	○ SA	○ V <sub>SS</sub>	○ B1	○ V <sub>SS</sub>	○ SA	○ DQ	○ DQ
C	○ V <sub>SS</sub>	○ V <sub>DDQ</sub>	○ SA	○ SA	○ $\bar{G}$	○ SA	○ SA	○ V <sub>DDQ</sub>	○ V <sub>SS</sub>
D	○ DQ	○ DQ	○ NC	○ V <sub>SS</sub>	○ V <sub>DD</sub>	○ V <sub>SS</sub>	○ SA	○ DQ	○ DQ
E	○ V <sub>SS</sub>	○ V <sub>DDQ</sub>	○ V <sub>SS</sub>	○ V <sub>DD</sub>	○ V <sub>ref</sub>	○ V <sub>DD</sub>	○ V <sub>SS</sub>	○ V <sub>DDQ</sub>	○ V <sub>SS</sub>
F	○ DQ	○ CQ	○ DQ	○ V <sub>DD</sub>	○ V <sub>DD</sub>	○ V <sub>DD</sub>	○ DQ	○ CQ	○ DQ
G	○ V <sub>SS</sub>	○ V <sub>DDQ</sub>	○ V <sub>SS</sub>	○ V <sub>SS</sub>	○ CK	○ V <sub>SS</sub>	○ V <sub>SS</sub>	○ V <sub>DDQ</sub>	○ V <sub>SS</sub>
H	○ DQ	○ DQ	○ DQ	○ V <sub>DD</sub>	○ $\bar{CK}$	○ V <sub>DD</sub>	○ DQ	○ DQ	○ DQ
J	○ V <sub>SS</sub>	○ V <sub>DDQ</sub>	○ V <sub>SS</sub>	○ V <sub>DD</sub>	○ V <sub>DD</sub>	○ V <sub>DD</sub>	○ V <sub>SS</sub>	○ V <sub>DDQ</sub>	○ V <sub>SS</sub>
K	○ DQ	○ DQ	○ DQ	○ V <sub>SS</sub>	○ B2	○ V <sub>SS</sub>	○ DQ	○ DQ	○ DQ
L	○ V <sub>SS</sub>	○ V <sub>DDQ</sub>	○ V <sub>SS</sub>	○ $\bar{LB0}$	○ B3	○ NC	○ V <sub>SS</sub>	○ V <sub>DDQ</sub>	○ V <sub>SS</sub>
M	○ DQ	○ $\bar{CQ}$	○ DQ	○ V <sub>DD</sub>	○ V <sub>DD</sub>	○ V <sub>DD</sub>	○ DQ	○ $\bar{CQ}$	○ DQ
N	○ V <sub>SS</sub>	○ V <sub>DDQ</sub>	○ V <sub>SS</sub>	○ V <sub>DD</sub>	○ V <sub>ref</sub>	○ V <sub>DD</sub>	○ V <sub>SS</sub>	○ V <sub>DDQ</sub>	○ V <sub>SS</sub>
P	○ DQ	○ DQ	○ NC	○ V <sub>SS</sub>	○ V <sub>DD</sub>	○ V <sub>SS</sub>	○ SA	○ DQ	○ DQ
R	○ V <sub>SS</sub>	○ V <sub>DDQ</sub>	○ V <sub>DD</sub>	○ SA	○ SA1	○ SA	○ V <sub>DD</sub>	○ V <sub>DDQ</sub>	○ V <sub>SS</sub>
T	○ DQ	○ DQ	○ SA	○ V <sub>SS</sub>	○ SA0	○ V <sub>SS</sub>	○ SA	○ DQ	○ DQ
U	○ V <sub>SS</sub>	○ V <sub>DDQ</sub>	○ TMS	○ TDI	○ TCK*	○ TDO	○ NC	○ V <sub>DDQ</sub>	○ V <sub>SS</sub>

**MCM64E836  
TOP VIEW 153-BUMP**

\* If JTAG is not used, TCK pin must be tied to V<sub>DD</sub> or V<sub>SS</sub>.

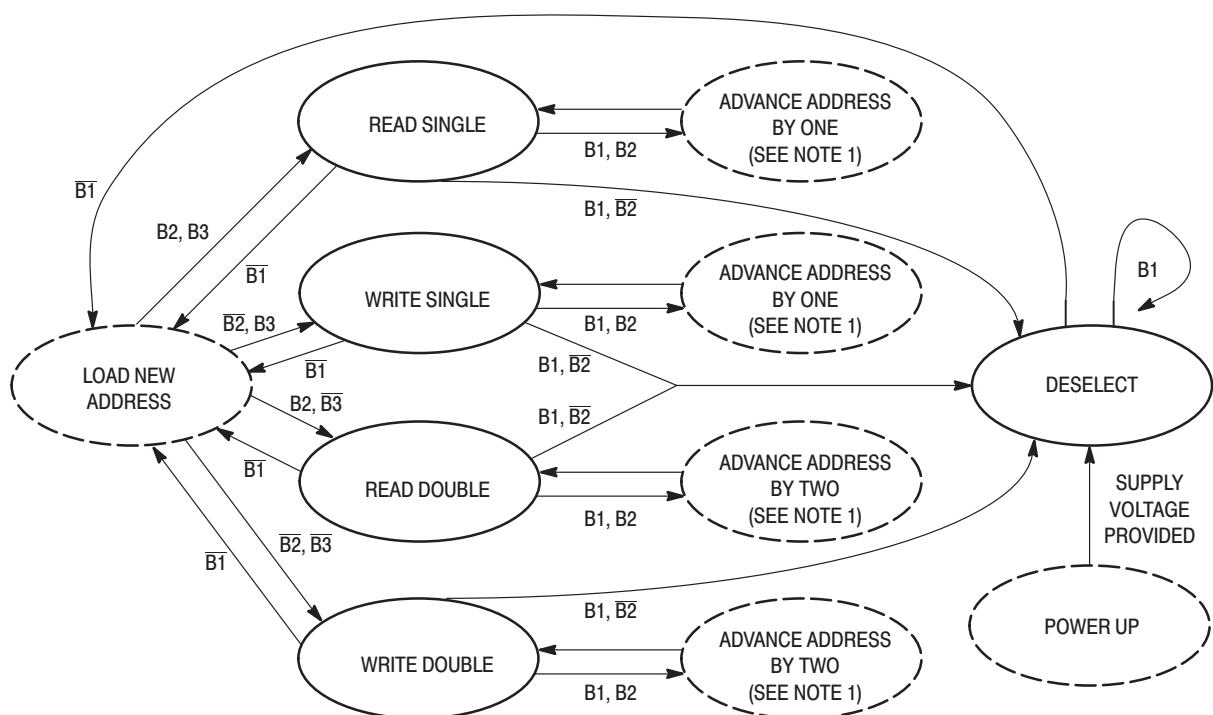
**MCM64E918 x18 PIN DESCRIPTIONS**

Pin Locations	Symbol	Type	Description
5B	B1	Input	Synchronous Function Control Input: B1 = 0 initiates a load new address.
5K	B2	Input	Synchronous Function Control Input: B2 = 0 initiates a WRITE, B2 = 1 initiates a READ.
5L	B3	Input	Synchronous Function Control Input: B3 = 0 initiates a double (or burst) operation, B3 = 1 initiates a single operation.
5G	CK	Input	Address, data in, and control input register clock. Active high.
5H	$\overline{CK}$	Input	Address, data in, and control input register clock. Active low.
2F	CQ	Output	Echo Clock Output: Active high.
8M	$\overline{CQ}$	Output	Echo Clock Output: Active low.
2B, 9B, 1D, 8D, 7F, 9F, 1H, 3H, 8H, 2K, 7K, 9K, 1M, 3M, 2P, 9P, 1T, 8T	DQ	I/O	Synchronous data I/O.
5C	$\overline{G}$	Input	Output Enable functionality not supported. Must be tied to $V_{SS}$ or driven to $\leq V_{IL}$ Max.
4L	$\overline{LBO}$	Input	Linear Burst Order: This is a mode pin. It must be tied to $V_{DD}$ or $V_{SS}$ before power up. $\overline{LBO}$ = 1 selects interleaved mode. $\overline{LBO}$ = 0 selects linear mode.
3A, 4A, 6A, 7A, 3B, 7B, 3C, 4C, 6C, 7C, 7D, 3P, 7P, 4R, 6R, 3T, 7T	SA	Input	Synchronous Address Inputs: Registered on the rising clock edge.
5R, 5T	SA1, SA0	Input	Synchronous burst counter preload address inputs: SA0 = LSB.
5U	TCK	Input	JTAG pin, test clock. If JTAG is not used, TCK must be tied to $V_{SS}$ or $V_{DD}$ .
4U	TDI	Input	JTAG pin, Test Data In.
6U	TDO	Output	JTAG, Test Data Out.
3U	TMS		JTAG pin.
5A	ZQ	Input	Output impedance programming input.
5E, 5N	$V_{ref}$	Supply	Input Reference: Provides reference voltage for input buffers.
5D, 4E, 6E, 4F, 5F, 6F, 4H, 6H, 4J, 5J, 6J, 4M, 5M, 6M, 4N, 6N, 5P, 3R, 7R	$V_{DD}$	Supply	Core Power Supply: These pins act as thermal vias to PCB power plane.
2A, 8A, 2C, 8C, 2E, 8E, 2G, 8G, 2J, 8J, 2L, 8L, 2N, 8N, 2R, 8R, 2U, 8U	$V_{DDQ}$	Supply	Output Power Supply: Provides operating power for output buffers.
1A, 9A, 4B, 6B, 1C, 9C, 4D, 6D, 1E, 3E, 7E, 9E, 1G, 3G, 4G, 6G, 7G, 9G, 1J, 3J, 7J, 9J, 4K, 6K, 1L, 3L, 7L, 9L, 1N, 3N, 7N, 9N, 4P, 6P, 1R, 9R, 4T, 6T, 1U, 9U	$V_{SS}$	Supply	Ground: These pins act as thermal vias to PCB ground plane.
1B, 8B, 2D, 3D, 9D, 1F, 3F, 8F, 2H, 7H, 9H, 1K, 3K, 8K, 6L, 2M, 7M, 9M, 1P, 8P, 2T, 9T, 7U	NC	—	No Connection: This means there is no connection to the chip.

**MCM64E836 x36 PIN DESCRIPTIONS**

Pin Locations	Symbol	Type	Description
5B	B1	Input	Synchronous Function Control Input: B1 = 0 initiates a load new address.
5K	B2	Input	Synchronous Function Control Input: B2 = 0 initiates a WRITE, B2 = 1 initiates a READ.
5L	B3	Input	Synchronous Function Control Input: B3 = 0 initiates a double (or burst) operation, B3 = 1 initiates a single operation.
5G	CK	Input	Address, data in, and control input register clock. Active high.
5H	$\overline{CK}$	Input	Address, data in, and control input register clock. Active low.
2F, 8F	CQ	Output	Echo Clock Output: Active high.
2M, 8M	$\overline{CQ}$	Output	Echo Clock Output: Active low.
1B, 2B, 8B, 9B, 1D, 2D, 8D, 9D, 1F, 3F, 7F, 9F, 1H, 2H, 3H, 7H, 8H, 9H, 1K, 2K, 3K, 7K, 8K, 9K, 1M, 3M, 7M, 9M, 1P, 2P, 8P, 9P, 1T, 2T, 8T, 9T	DQ	I/O	Synchronous data I/O.
5C	$\overline{G}$	Input	Output Enable functionality not supported. Must be tied to $V_{SS}$ or driven to $\leq V_{IL}$ Max.
4L	$\overline{LBO}$	Input	Linear Burst Order: This is a mode pin. It must be tied to $V_{DD}$ or $V_{SS}$ before power up. $\overline{LBO} = 1$ selects interleaved mode. $\overline{LBO} = 0$ selects linear mode.
3A, 4A, 6A, 7A, 3B, 7B, 3C, 4C, 6C, 7C, 7D, 7P, 4R, 6R, 3T, 7T	SA	Input	Synchronous Address Inputs: Registered on the rising clock edge.
5R, 5T	SA1, SA0	Input	Synchronous burst counter preload address inputs: SA0 = LSB.
5U	TCK	Input	JTAG pin, test clock. If JTAG is not used, TCK must be tied to $V_{SS}$ or $V_{DD}$ .
4U	TDI	Input	JTAG pin, Test Data In.
6U	TDO	Output	JTAG, Test Data Out.
3U	TMS		JTAG pin.
5A	ZQ	Input	Output impedance programming input.
5E, 5N	$V_{ref}$	Supply	Input Reference: Provides reference voltage for input buffers.
5D, 4E, 6E, 4F, 5F, 6F, 4H, 6H, 4J, 5J, 6J, 4M, 5M, 6M, 4N, 6N, 5P, 3R, 7R	$V_{DD}$	Supply	Core Power Supply: These pins act as thermal vias to PCB power plane.
2A, 8A, 2C, 8C, 2E, 8E, 2G, 8G, 2J, 8J, 2L, 8L, 2N, 8N, 2R, 8R, 2U, 8U	$V_{DDQ}$	Supply	Output Power Supply: Provides operating power for output buffers.
1A, 9A, 4B, 6B, 1C, 9C, 4D, 6D, 1E, 3E, 7E, 9E, 1G, 3G, 4G, 6G, 7G, 9G, 1J, 3J, 7J, 9J, 4K, 6K, 1L, 3L, 7L, 9L, 1N, 3N, 7N, 9N, 4P, 6P, 1R, 9R, 4T, 6T, 1U, 9U	$V_{SS}$	Supply	Ground: These pins act as thermal vias to PCB ground plane.
3D, 6L, 3P, 7U	NC	—	No Connection: This means there is no connection to the chip.

### BUS CYCLE STATE DIAGRAM



**NOTE:**

1. Advance internal address in accordance with burst order with wrap-around. Burst-length of four.

### THREE-WIRE SYNCHRONOUS FUNCTION CONTROLS (See Notes 1 through 4)

B1	B2	B3	Function Launched at Next Clock	D	Q (n)	Q (n + 1)
0	0	1	Write Single, Load New Address	Next Edge	High-Z	High-Z
0	0	0	Write Double, Load New Address	Both Edges	High-Z	High-Z
0	1	1	Read Single, Load New Address	High-Z	Next CQ + Edge	Next CQ + Edge
0	1	0	Read Double, Load New Address	High-Z	Both CQ Edges	Both CQ Edges
1	1	X	Increment Address, Continue Previous Function	X	X	X
1	0	X	Deselect, Pipeline High-Z	X	X	High-Z

**NOTES:**

1. X = don't care.
2. Deselect usage is discussed in the Functional Description section.
3. Outputs will be in high-Z during power up, except CQ and  $\overline{CQ}$ .
4. Double reads and writes occur per burst sequence.

## BURST SEQUENCES

Interleaved Burst												
Address	Hex				Binary							
					SA1	SA0	SA1	SA0	SA1	SA0	SA1	SA0
Start — Base Address	0	1	2	3	0	0	0	1	1	0	1	1
2nd Address	1	0	3	2	0	1	0	0	1	1	1	0
3rd Address	2	3	0	1	1	0	1	1	0	0	0	1
4th Address	3	2	1	0	1	1	1	0	0	1	0	0

Linear Burst												
Address	Hex				Binary							
					SA1	SA0	SA1	SA0	SA1	SA0	SA1	SA0
Start — Base Address	0	1	2	3	0	0	0	1	1	0	1	1
2nd Address	1	2	3	0	0	1	1	0	1	1	0	0
3rd Address	2	3	0	1	1	0	1	1	0	0	0	1
4th Address	3	0	1	2	1	1	0	0	0	1	1	0

## ABSOLUTE MAXIMUM RATINGS (See Note)

Rating	Symbol	Value	Unit
Power Supply Voltage Relative to $V_{SS}$	$V_{DD}$	-0.5 to 3.6	V
Output Supply Voltage	$V_{DDQ}$	-0.5 to 2.5	V
Voltage On Any Pin Other Than JTAG	$V_{in}$	-0.5 to 2.5	V
Voltage On Any JTAG Pin	$V_{JTAG}$	-0.5 to 3.0	V
Input Current (per I/O)	$I_{in}$	±50	mA
Output Current (per I/O)	$I_{out}$	±25	mA
Operating Temperature	$T_A$	0 to 70	°C
Storage Temperature	$T_{stg}$	-55 to 125	°C

NOTE: Permanent device damage may occur if ABSOLUTE MAXIMUM RATINGS are exceeded. Functional operation should be restricted to RECOMMENDED OPERATING CONDITIONS. Exposure to higher than recommended voltages for extended periods of time could affect device reliability.

This device contains circuitry to protect the inputs against damage due to high static voltages or electric fields; however, it is advised that normal precautions be taken to avoid application of any voltage higher than maximum rated voltages to this high-impedance circuit.

This CMOS memory circuit has been designed to meet the dc and ac specifications shown in the tables, after thermal equilibrium has been established. The circuit is in a test socket or mounted on a printed circuit board and transverse air flow of at least 500 linear feet per minute is maintained.

## PBGA PACKAGE THERMAL CHARACTERISTICS

Rating	Symbol	Max	Unit	Notes
Junction to Ambient (Still Air)	$R_{\theta JA}$	50	°C/W	1, 2
Junction to Ambient (@200 ft/min)	$R_{\theta JA}$	39	°C/W	1, 2
Junction to Ambient (@200 ft/min)	$R_{\theta JA}$	27	°C/W	3
Junction to Board (Bottom)	$R_{\theta JB}$	23	°C/W	4
Junction to Case (Top)	$R_{\theta JC}$	1	°C/W	5

### NOTES:

- Junction temperature is a function of on-chip power dissipation, package thermal resistance, mounting site (board) temperature, ambient temperature, air flow, power dissipation of other components on the board, and board thermal resistance.
- Per SEMI G38-87.
- Measured using a four-layer test board with two internal planes.
- Indicates the average thermal resistance between the die and the printed circuit board as measured by the ring cold plate method.
- Indicates the average thermal resistance between the die and the case top surface as measured by the cold plate method (MIL SPEC-883 Method 1012.1).

**DC OPERATING CONDITIONS AND CHARACTERISTICS**  
 (2.375 V ≤ V<sub>DD</sub> ≤ 2.625 V, 0°C ≤ T<sub>A</sub> ≤ 70°C, Unless Otherwise Noted)

**RECOMMENDED OPERATING CONDITIONS** (See Notes 1 through 4)

Parameter	Symbol	Min	Max -3.0	Max -3.3	Max -4.0	Max	Unit	Notes
Core Power Supply Voltage	V <sub>DD</sub>	2.375	—	—	—	2.625	V	
Output Driver Supply Voltage	V <sub>DDQ</sub>	1.4	—	—	—	1.9	V	
AC Supply Current (Device Selected, All Outputs Open, Freq = Max, V <sub>DD</sub> = Max, V <sub>DDQ</sub> = Max). Includes Supply Currents for V <sub>DD</sub> .	I <sub>DD1</sub>	—	720	700	680	—	mA	5
Quiescent Active Power Supply Current (Device Selected, All Outputs Open, Freq = 0, V <sub>DD</sub> = Max, V <sub>DDQ</sub> = Max). Includes supply currents for V <sub>DD</sub> .	I <sub>DD2</sub>	—	200	200	200	—	mA	6
Active Standby Power Supply Current (Device Deselected, Freq = Max, V <sub>DD</sub> = Max, V <sub>DDQ</sub> = Max)	I <sub>SB1</sub>	—	225	220	210	—	mA	7
Stop Clock Current (Device Deselected, Freq = 0, V <sub>DD</sub> = Max, V <sub>DDQ</sub> = Max, All Inputs Static at CMOS Levels)	I <sub>SB2</sub>	—	200	200	200	—	mA	6, 7
Input Reference DC Voltage	V <sub>ref</sub> (dc)	0.6	—	—	—	1.3	V	8

**NOTES:**

- All data sheet parameters specified to full range of V<sub>DD</sub> unless otherwise noted. All voltages are referenced to voltage applied to V<sub>SS</sub> bumps.
- Supply voltage applied to V<sub>DD</sub> connections.
- Supply voltage applied to V<sub>DDQ</sub> connections.
- All power supply currents measured with outputs open or deselected.
- All inputs are toggling per CMOS I/O levels (see Note 6).
- Input levels for I/Os are V<sub>SS</sub> ≤ V<sub>in</sub> ≤ 0.2 V or V<sub>DDQ</sub> - 0.2 V ≤ V<sub>in</sub> ≤ V<sub>DDQ</sub>.
- Device deselected as defined by the Truth Table.
- Although considerable latitude in the selection of the nominal dc value (i.e., rms value) of V<sub>ref</sub> is supported, the peak to peak ac component superimposed on V<sub>ref</sub> may not exceed 5% of the dc component of V<sub>ref</sub>.

**DC CHARACTERISTICS AND POWER SUPPLY CURRENTS** (See Notes 1 and 2)

Parameter	Symbol	Min	Typ	Max	Unit
DC Input Logic High	V <sub>IH</sub> (DC)	V <sub>ref</sub> + 0.1	—	V <sub>DDQ</sub> + 0.3	V
DC Input Logic Low	V <sub>IL</sub> (DC)	-0.5	—	V <sub>ref</sub> - 0.1	V
Input Leakage Current (All Inputs, V <sub>in</sub> = 0 to V <sub>DDQ</sub> )	I <sub>Ikg(I)</sub>	—	—	±5	μA
Output Low Current (V <sub>OL</sub> = V <sub>DDQ</sub> /2)	I <sub>OL</sub>	(V <sub>DDQ</sub> /2) / [(RQ/5) + 15%]	—	(V <sub>DDQ</sub> /2) / [(RQ/5) - 15%]	V
Output High Current (V <sub>OH</sub> = V <sub>DDQ</sub> /2)	I <sub>OH</sub>	(V <sub>DDQ</sub> /2) / [(RQ/5) + 15%]	—	(V <sub>DDQ</sub> /2) / [(RQ/5) - 15%]	V
Light Load Output Logic Low I <sub>OL</sub> ≤ 100 μA	V <sub>OL1</sub>	V <sub>SS</sub>	—	0.2	V
Light Load Output Logic High  I <sub>OH</sub>   ≤ 100 μA	V <sub>OH1</sub>	V <sub>DDQ</sub> - 0.2	—	V <sub>DDQ</sub>	V
Clock Input Signal Voltage	V <sub>in</sub>	-0.3	—	V <sub>DDQ</sub> + 0.3	V
Clock Input Differential Voltage (See Figure 2)	V <sub>DIF</sub> (DC)	0.1	—	V <sub>DDQ</sub> + 0.6	V
Clock Input Common Mode Voltage Range (See Figure 2)	V <sub>CM</sub> (DC)	0.6	—	1.3	V

**NOTES:**

- The impedance controlled mode is expected to be used in point-to-point applications, driving high-impedance inputs.
- The ZQ pin is connected through RQ to V<sub>SS</sub> for the controlled impedance mode.

**CAPACITANCE** (f = 1.0 MHz, dV = 3.0 V, 0°C ≤ T<sub>A</sub> ≤ 70°C, Periodically Sampled Rather Than 100% Tested)

Characteristic	Symbol	Typ	Max	Unit
Input Capacitance All Inputs Except Clocks and DQs G and W	C <sub>in</sub>	3.2	5	pF
	C <sub>ck</sub>	3.7	5	
I/O Capacitance DQ	C <sub>I/O</sub>	3.8	6	pF

**AC OPERATING CONDITIONS AND CHARACTERISTICS**

(2.375 V ≤ V<sub>DD</sub> ≤ 2.625 V, 1.4 V ≤ V<sub>DDQ</sub> ≤ 1.9 V, Unless Otherwise Noted)

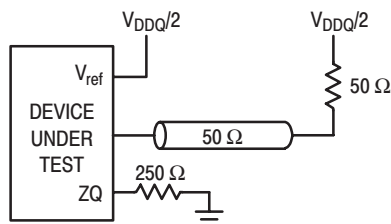
Input Pulse Levels	0.25 V to 1.25 V	Output Timing Measurement Reference Level	V <sub>DDQ</sub> /2
Input Rise/Fall Time	1 V/500 ps (20% to 80%)	Output Load	Differential Cross-Point
Input Timing Measurement Reference Level	V <sub>DDQ</sub> /2	R <sub>θJA</sub> Device	~27°C/W

**READ AND WRITE CYCLE TIMING**

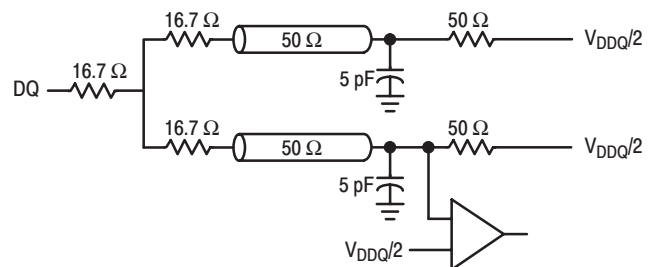
Parameter	Symbol	64E918-3.0 64E836-3.0		64E918-3.3 64E836-3.3		64E918-4.0 64E836-4.0		Unit	Notes
		Min	Max	Min	Max	Min	Max		
Cycle Time	t <sub>KHKH</sub>	3	—	3.3	—	4	—	ns	
CK Clock High Pulse Width	t <sub>KHKL</sub>	1.2	—	1.3	—	1.6	—	ns	2
CK Clock Low Pulse Width	t <sub>KLKH</sub>	1.2	—	1.3	—	1.6	—	ns	2
CQ Low to CQ High	t <sub>CLCH</sub>	t <sub>KLKH</sub> - 100 ps	t <sub>KLKH</sub> + 100 ps	t <sub>KLKH</sub> - 100 ps	t <sub>KLKH</sub> + 100 ps	t <sub>KLKH</sub> - 100 ps	t <sub>KLKH</sub> + 100 ps		1
CQ High to CQ Low	t <sub>CHCL</sub>	t <sub>KHKL</sub> - 100 ps	t <sub>KHKL</sub> + 100 ps	t <sub>KHKL</sub> - 100 ps	t <sub>KHKL</sub> + 100 ps	t <sub>KHKL</sub> - 100 ps	t <sub>KHKL</sub> + 100 ps		1
Setup Times:									
Address Valid to CK Crossing	t <sub>AVKH</sub>	0.5	—	0.5	—	0.5	—	ns	1, 2
Burst Control Valid to CK Crossing	t <sub>BVKH</sub>	0.5	—	0.5	—	0.5	—		
Data In Valid to CK Crossing	t <sub>DVKX</sub>	0.3	—	0.3	—	0.3	—		
Hold Times:									
CK Crossing to Address Don't Care	t <sub>KHAX</sub>	0.5	—	0.5	—	0.5	—	ns	1, 2
CK Crossing to Burst Control Don't Care	t <sub>KHBX</sub>	0.5	—	0.5	—	0.5	—		
CK Crossing to Data In Don't Care	t <sub>KXDX</sub>	0.3	—	0.3	—	0.3	—		
CK Crossing to CQ High	t <sub>KXCH</sub>	0.7	1.5	0.7	1.65	0.7	2	ns	1
CK Crossing to CQ Low	t <sub>KXCL</sub>	0.7	1.5	0.7	1.65	0.7	2	ns	1
CQ High to Output Valid	t <sub>CHQV</sub>	—	0.20	—	0.20	—	0.20	ns	1
CQ Low to Output Valid	t <sub>CLQV</sub>	—	0.20	—	0.20	—	0.20	ns	1
CQ High to Output Hold	t <sub>CHQX</sub>	- 0.20	—	- 0.20	—	- 0.20	—	ns	1, 2
CQ Low to Output Hold	t <sub>CLQX</sub>	- 0.20	—	- 0.20	—	- 0.20	—	ns	1, 2
CK High to Output Low-Z	t <sub>KHQX1</sub>	0.5	—	0.5	—	0.5	—	ns	1, 2, 3
CQ High to Output High-Z	t <sub>CHQZ</sub>	- 0.20	0.25	- 0.20	0.3	- 0.20	0.35	ns	1, 2, 4

NOTES:

1. Guaranteed by design and characterization.
2. This parameter sampled and not 100% tested.
3. Measured at ± 200 mV from steady state. See Figure 1a.
4. Measured at ± 200 mV from steady state. See Figure 1b.



(a) Test Load



(b) Test Load

Figure 1. Test Loads

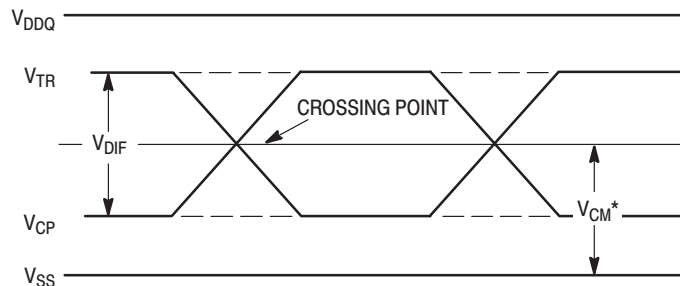


**AC INPUT CHARACTERISTICS** (See Notes 1 through 3)

Parameter	Symbol	Min	Max	Notes
AC Input Logic High (See Figure 2)	$V_{IH}(ac)$	$V_{ref} + 200\text{ mV}$	—	
AC Input Logic Low (See Figure 3)	$V_{IL}(ac)$	—	$V_{ref} - 200\text{ mV}$	
Input Reference Peak-to-Peak AC Voltage	$V_{ref}(ac)$	—	$5\% V_{ref}(dc)$	4
Clock Input Differential Voltage	$V_{dif}(ac)$	400 mV	$V_{DDQ} + 600\text{ mV}$	

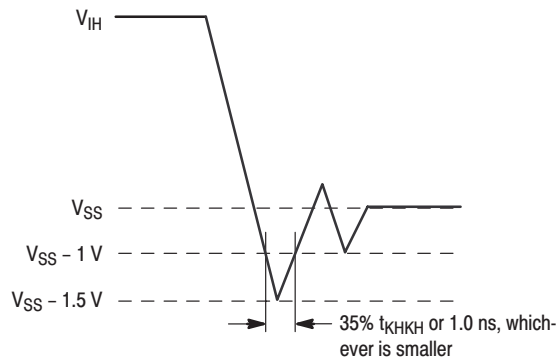
**NOTES:**

- Inputs may undershoot to  $V_{SS} - 1\text{ V}$  (peak) for up to  $35\% t_{KHKH}$  or 1.0 ns, whichever is smaller, and  $V_{SS} - 1.5\text{ V}$  instantaneous peak undershoot. See Figure 3.
- Inputs may overshoot to 3.3 V for up to  $35\% t_{KHKH}$  or 1.0 ns, whichever is smaller, and 3.6 V instantaneous peak overshoot.
- Minimum instantaneous differential input voltage required for differential input clock operation.
- Although considerable latitude in the selection of the nominal dc value (i.e., rms value) of  $V_{ref}$  is supported, the peak-to-peak ac component superimposed on  $V_{ref}$  may not exceed 5% of the dc component of  $V_{ref}$ .

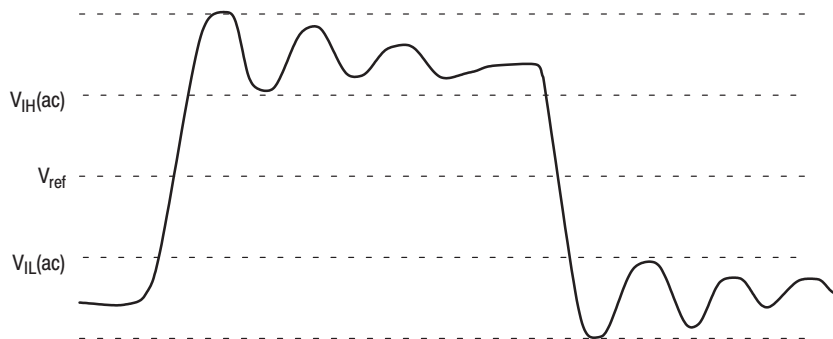


\*  $V_{CM}$ , the Common Mode Input Voltage, equals  $V_{TR} - [(V_{TR} - V_{CP})/2]$ .

**Figure 2. Differential Inputs/Common Mode Input Voltage**



**Figure 3. Undershoot Voltage**



**Figure 4. Differential Inputs/Common Mode Input Voltage**

## FUNCTIONAL DESCRIPTION

### USING DESELECT

Function control pins B1:B2 set to 1:0 will be latched on a rising edge of the input clock (CK), and launch a deselect at the next CK clock (pipelined). Deselect puts the data bus into a high-impedance state. Deselect can be used to avoid bus contention by putting the data bus into a high-impedance state before performing a write. The sequence for switching from a read to a write should be: READ, DESELECT, WRITE.

### COHERENCY

This part is fully coherent. This means that when a write is performed at an address, and a read of that same address follows immediately, the data just written is read back.

### BURSTING

Function control pins are used to select single or double reads and writes. When a double read or write is selected, the data is managed on both the rising and falling edges of the echo clock, which is the double data rate feature of this FSRAM. All burst sequences are determined with the  $\overline{LB0}$  pin per the Burst Sequence table.

Function control pins B1:B2 set to 1:1 increments the address and continues the previous function. This combination of B1:B2 can immediately follow any of the other read or write functions. As long as the B1:B2 pins are set to 1:1 on rising edges of the input clock, a continuous read or write from sequential addresses can be performed without having to resupply the address (refer to the Bus Cycle State diagram and Three-Wire Synchronous Function Control table).

### READS/WITES

The DDR latches address and control lines on the rising edge of the input (CK) clock.

Single reads are selected by setting function control lines B1:B2:B3 = 0:1:1. This functionality resembles the non-burst read timing of a pipelined BurstRAM (pre-DDR). Only 1 byte of data will result from each address and control clocked into the part. Data changes only on the rising edge of the clock.

Double reads are selected by setting B1:B2:B3 = 0:1:0. This will cause a burst of two, but at twice the input clock rate. Data is available after the rising and the falling clock

edges of the output clock (refer to the Double and Single Read Timing diagram).

Single writes have late write functionality. Single writes are selected with B1:B2:B3 = 0:0:1. Data In must meet setup and hold times with respect to the rising edge of the input clock, CK.

Double writes are also late writes. Double writes are selected with B1:B2:B3 = 0:0:0. The data rate is twice the applied clock in a double write, so Data In must meet setup and hold times with respect to the rising and falling edges of the input clock, CK.

### ECHO CLOCK

This part is equipped with an echo clock. The echo clock is an output clock that aids in the synchronization of data. After power up, the echo clock is free running. The data that is output during a read cycle is referenced to the echo clock outputs.

### STARTUP CONDITIONS/STOP CLOCK

Power up conditions are expected to vary from application to application. Echo clocks (CQ and  $\overline{CQ}$ ) are not pipelined, and will respond to the input clock (CK) immediately. One way to design for this situation is to power up and start the DDR, run until all signals are transitioning smoothly, and then stop the clock and start it again, using the echo clock edges after the stop clock and not before the stop clock. This will allow for synchronization of the echo clock. The stop clock can be used anywhere as long as the minimum and maximum clock pulse specifications are not violated.

### OUTPUT IMPEDANCE CIRCUITRY

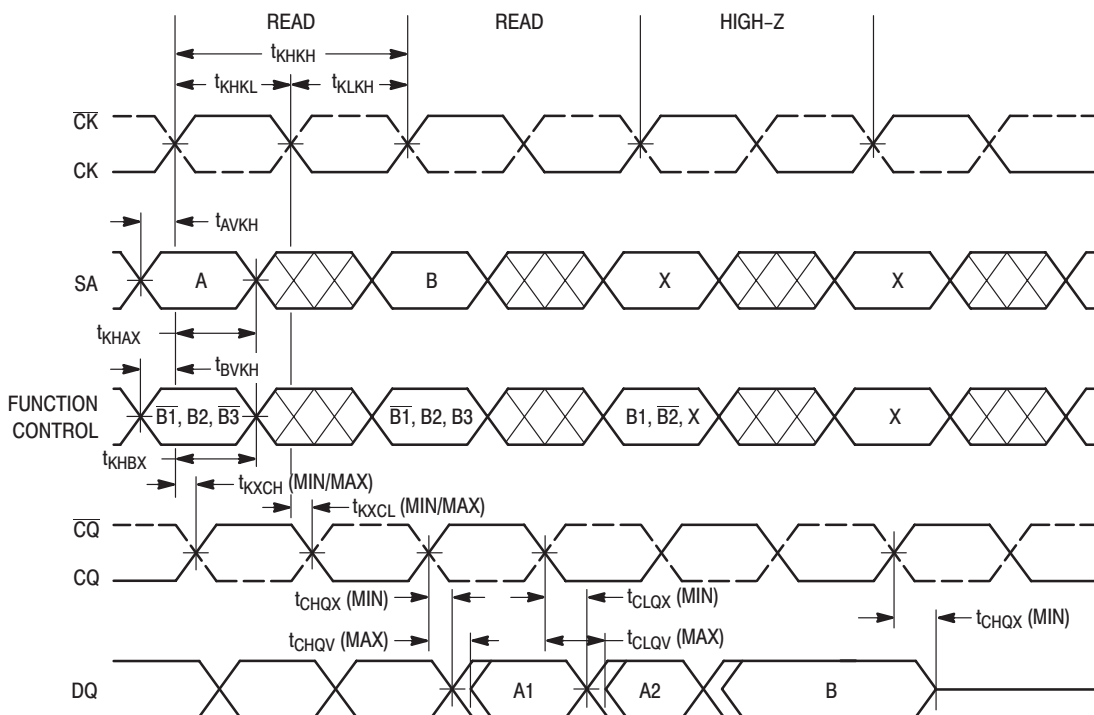
The designer can program the RAMs output buffer impedance by terminating the  $\overline{ZQ}$  pin to  $V_{SS}$  through a precision resistor (RQ). The value of RQ is five times the output impedance desired. For example, a 250  $\Omega$  resistor will give an output impedance of 50  $\Omega$ .

Impedance updates occur during write and deselect cycles.

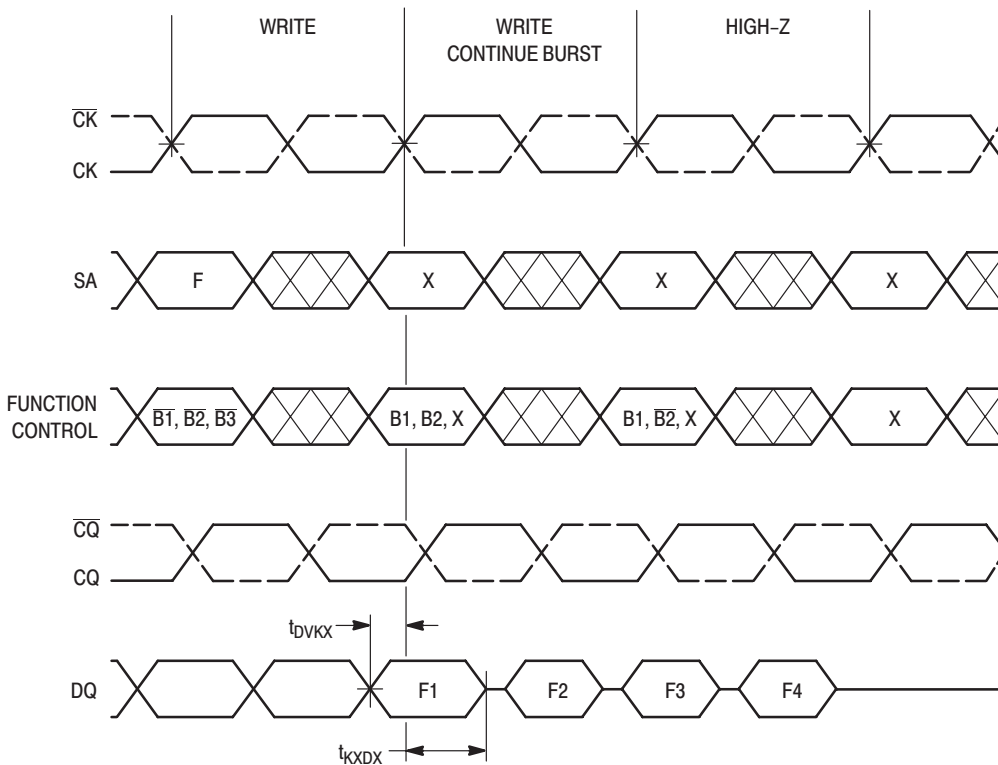
The actual change in the impedance occurs in small increments and is binary. The binary impedance has 256 values and therefore, there are no significant disturbances that occur on the output because of this smooth update method.

At power up, the output impedance will take up to 65,000 cycles for the impedance to be completely updated.

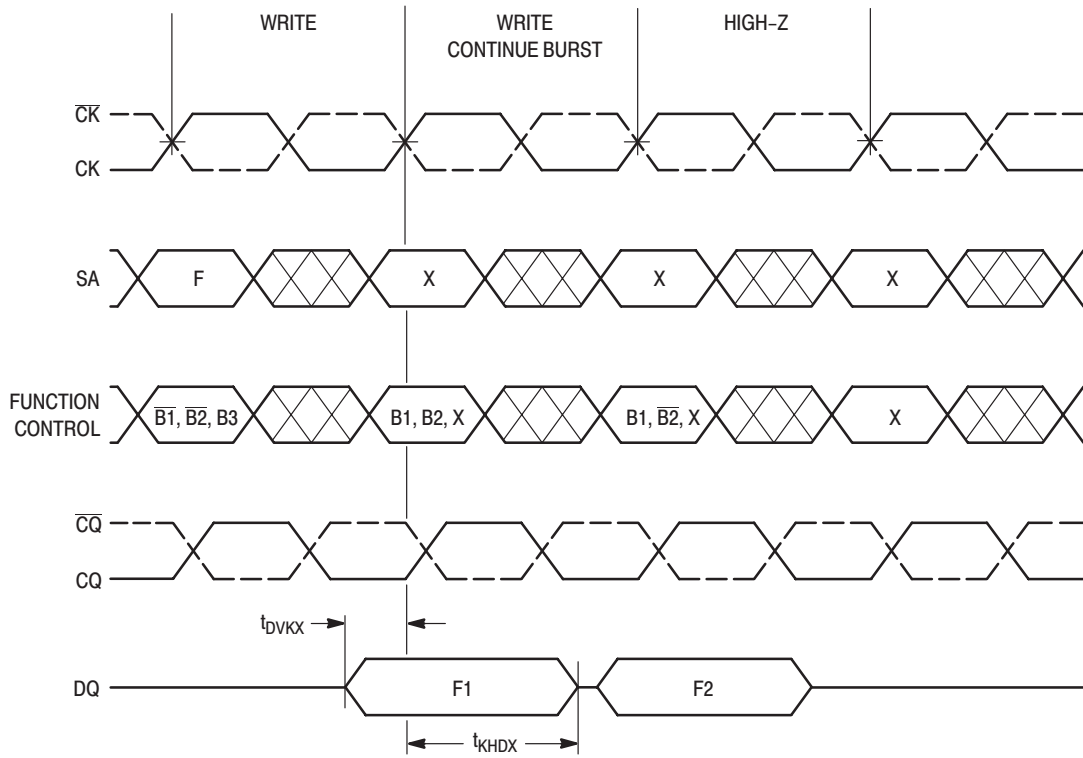
### DOUBLE AND SINGLE READ TIMING



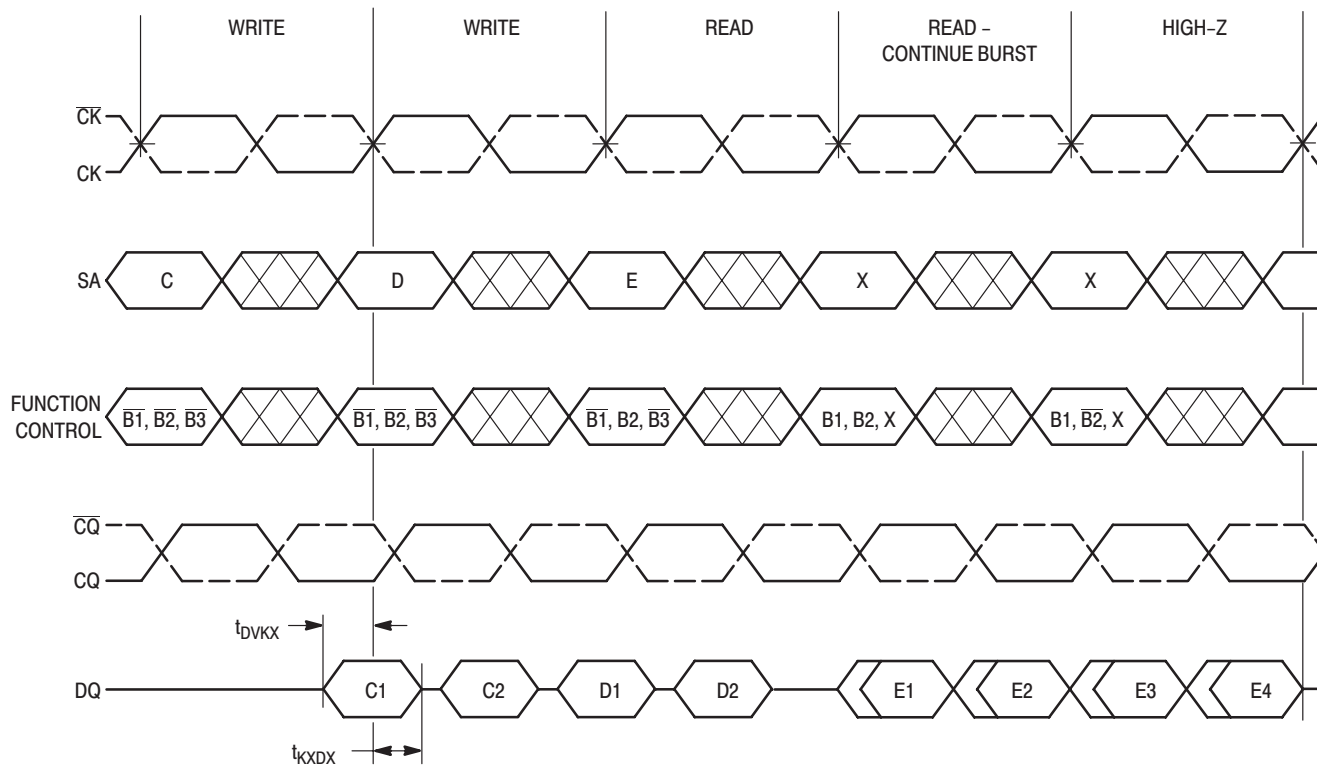
### DOUBLE WRITE TIMING



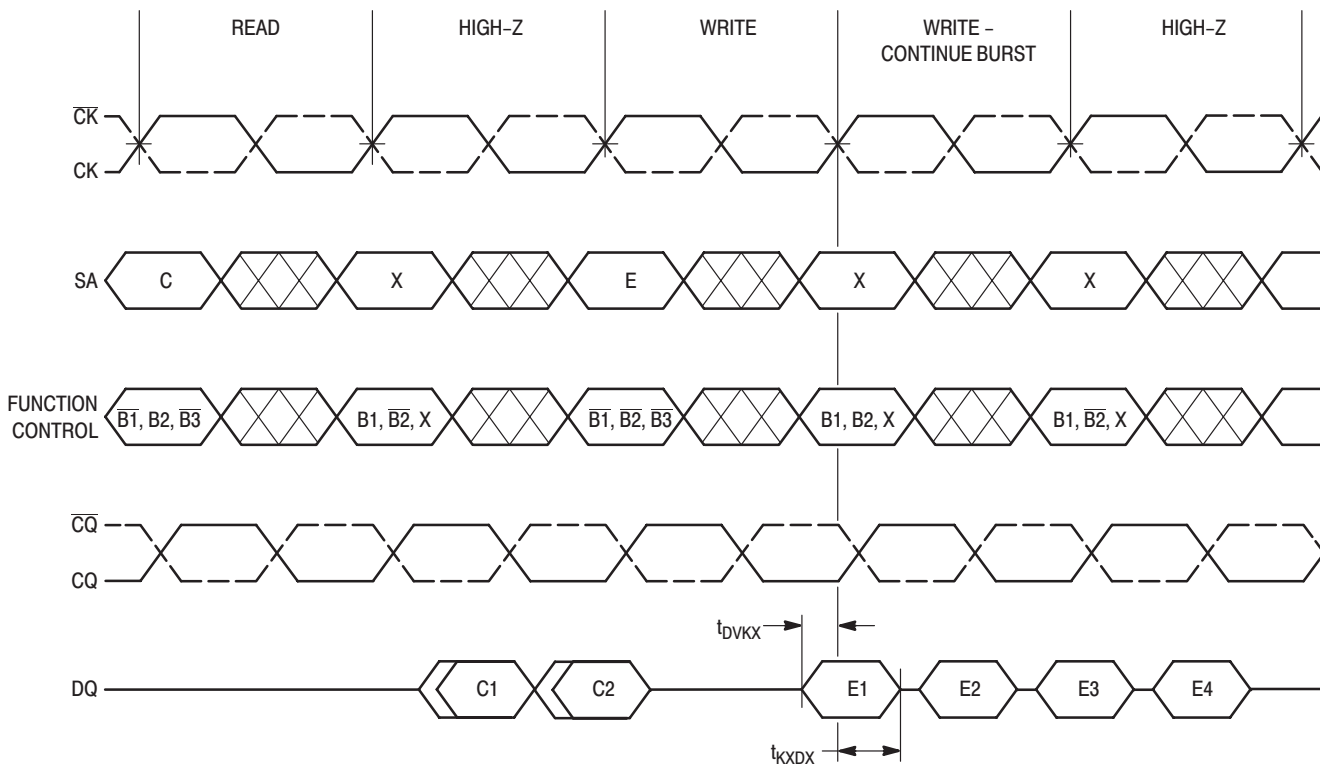
### SINGLE WRITE TIMING



### WRITE AND READ TIMING



### READ AND WRITE TIMING



## SERIAL BOUNDARY SCAN TEST ACCESS PORT OPERATION

### OVERVIEW

The serial boundary scan test access port (TAP) on this RAM is designed to operate in a manner consistent with IEEE Standard 1149.1–1990 (commonly referred to as JTAG), but does not implement all of the functions required for IEEE 1149.1 compliance. Certain functions have been modified or eliminated because their implementation places extra delays in the RAMs critical speed path. Nevertheless, the RAM supports the standard TAP controller architecture (the TAP controller is the state machine that controls the TAPs operation) and can be expected to function in a manner that does not conflict with the operation of devices with IEEE

1149.1 compliant TAPs. The TAP operates using conventional JEDEC Standard 8–5 (2.5 V) logic level signaling.

### DISABLING THE TEST ACCESS PORT

It is possible to use this device without utilizing the TAP. To disable the TAP controller without interfering with normal operation of the device, TCK must be tied to  $V_{SS}$  to preclude mid-level inputs. TDI and TMS are designed so an undriven input will produce a response identical to the application of a logic 1, and may be left unconnected. But they may also be tied to  $V_{DD}$  through a 1 k resistor. TDO should be left unconnected.

### TAP DC OPERATING CHARACTERISTICS

( $2.375\text{ V} \leq V_{DD} \leq 2.625\text{ V}$ ,  $0^\circ\text{C} \leq T_A \leq 70^\circ\text{C}$ , Unless Otherwise Noted)

Parameter	Symbol	Min	Max	Unit	Notes
Logic Input Logic High	$V_{IH1}$	1.2	$V_{DD} + 0.3$	V	
Logic Input Logic Low	$V_{IL1}$	-0.3	0.4	V	
Logic Input Leakage Current	$I_{Ikg}$	—	$\pm 5$	$\mu\text{A}$	1
CMOS Output Logic Low	$V_{OL1}$	—	0.2	V	2
CMOS Output Logic High	$V_{OH1}$	$V_{DDQ} - 0.2$	—	V	3

#### NOTES:

- $0\text{ V} \leq V_{in} \leq V_{DD}$  for all logic input pins.
- $I_{OL1} \leq 100\ \mu\text{A}$  @  $V_{OL} = 0.2\text{ V}$ . Sampled, not 100% tested.
- $|I_{OH1}| \leq 100\ \mu\text{A}$  @  $V_{DDQ} - 0.2\text{ V}$ . Sampled, not 100% tested.

## TAP AC OPERATING CONDITIONS AND CHARACTERISTICS

(0°C ≤ T<sub>A</sub> ≤ 70°C, Unless Otherwise Noted)

Input Pulse Levels ..... 0 to 2.2 V  
 Input Rise/Fall Time ..... 1 V/ns (20% to 80%)  
 Input Timing Measurement Reference Level ..... 1.1 V  
 Output Timing Reference Level ..... 1.1 V

Output Test Load ..... 50 Ω Parallel Terminated T-Line with 20 pF Receiver Input Capacitance  
 Test Load Termination Supply Voltage (V<sub>T</sub>) ..... 1.1 V

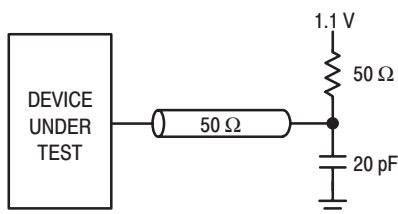
### TAP CONTROLLER TIMING

Parameter	Symbol	Min	Max	Unit	Notes
Cycle Time	t <sub>THTH</sub>	100	—	ns	
Clock High Time	t <sub>THTL</sub>	40	—	ns	
Clock Low Time	t <sub>TLTH</sub>	40	—	ns	
TMS Setup	t <sub>MVTH</sub>	10	—	ns	
TMS Hold	t <sub>THMX</sub>	10	—	ns	
TDI Valid to TCK High	t <sub>DVTH</sub>	10	—	ns	
TCK High to TDI Don't Care	t <sub>THDX</sub>	10	—	ns	
Capture Setup	t <sub>CS</sub>	10	—	ns	1
Capture Hold	t <sub>CH</sub>	10	—	ns	1
TCK Low to TDO Unknown	t <sub>TLQX</sub>	0	—	ns	
TCK Low to TDO Valid	t <sub>TLOV</sub>	—	20	ns	

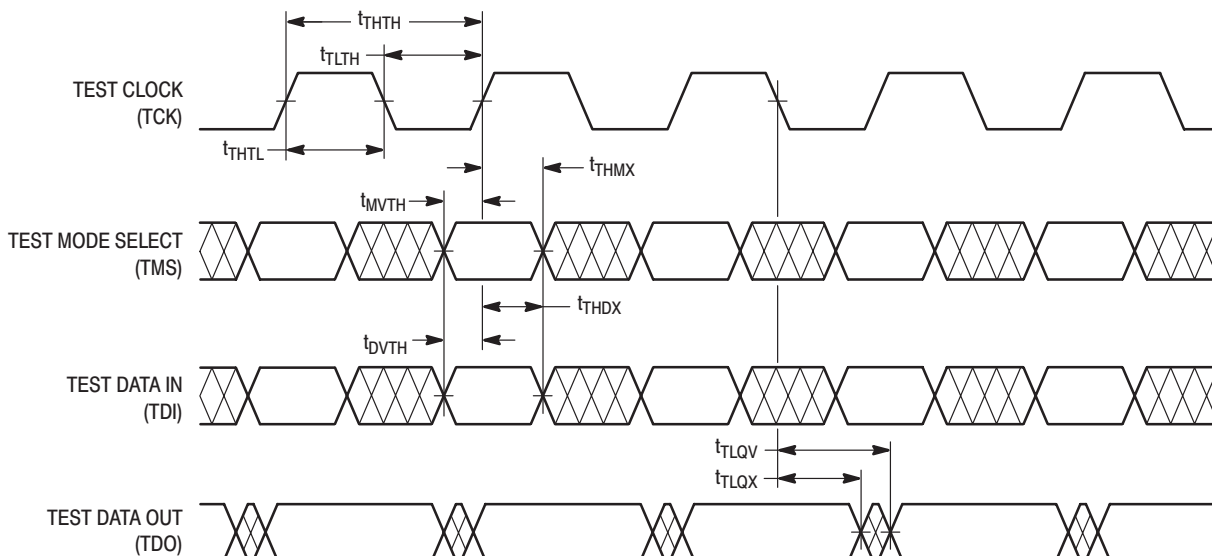
NOTE:

- t<sub>CS</sub> + t<sub>CH</sub> defines the minimum pause in RAM I/O pad transitions to assure accurate pad data capture.

### AC TEST LOAD



### TAP CONTROLLER TIMING DIAGRAM



## TEST ACCESS PORT PINS

### TCK — TEST CLOCK (INPUT)

Clocks all TAP events. All inputs are captured on the rising edge of TCK and all outputs propagate from the falling edge of TCK.

### TMS — TEST MODE SELECT (INPUT)

The TMS input is sampled on the rising edge of TCK. This is the command input for the TAP controller state machine. An undriven TMS input will produce the same result as a logic 1 input level.

### TDI — TEST DATA IN (INPUT)

The TDI input is sampled on the rising edge of TCK. This is the input side of the serial registers placed between TDI and TDO. The register placed between TDI and TDO is determined by the state of the TAP controller state machine and the instruction that is currently loaded in the TAP instruction register (refer to Figure 6). An undriven TDI pin will produce the same result as a logic 1 input level.

### TDO — TEST DATA OUT (OUTPUT)

Output that is active depending on the state of the TAP state machine (refer to Figure 6). Output changes in response to the falling edge of TCK. This is the output side of the serial registers placed between TDI and TDO.

### TRST — TAP RESET

This device does not have a TRST pin. TRST is optional in IEEE 1149.1. The test–logic reset state is entered while TMS is held high for five rising edges of TCK. Power on reset circuitry is included internally. This type of reset does not affect the operation of the system logic. The reset affects test logic only.

## TEST ACCESS PORT REGISTERS

### OVERVIEW

The various TAP registers are selected (one at a time) via the sequences of 1s and 0s input to the TMS pin as the TCK is strobed. Each of the TAP registers are serial shift registers that capture serial input data on the rising edge of TCK and push serial data out on subsequent falling edge of TCK. When a register is selected, it is “placed” between the TDI and TDO pins.

### INSTRUCTION REGISTER

The instruction register holds the instructions that are executed by the TAP controller when it is moved into the run test/idle or the various data register states. The instructions are 3 bits long. The register can be loaded when it is placed between the TDI and TDO pins. The instruction register is automatically preloaded with the IDCODE instruction at power up or whenever the controller is placed in test–logic–reset state.

### BYPASS REGISTER

The bypass register is a single bit register that can be placed between TDI and TDO. It allows serial test data to be passed through the RAMs TAP to another device in the scan chain with as little delay as possible.

## BOUNDARY SCAN REGISTER

The boundary scan register is identical in length to the number of active input and I/O connections on the RAM (not counting the TAP pins). This also includes a number of place holder locations (always set to a logic 1) reserved for density upgrade address pins. There are a total of 68 bits in the case of the x36 device and 49 bits in the case of the x18 device. The boundary scan register, under the control of the TAP controller, is loaded with the contents of the RAMs I/O ring when the controller is in capture–DR state and then is placed between the TDI and TDO pins when the controller is moved to shift–DR state. Several TAP instructions can be used to activate the boundary scan register.

The Bump/Bit Scan Order tables describe which device bump connects to each boundary scan register location. The first column defines the bit’s position in the boundary scan register. The shift register bit nearest TDO (i.e., first to be shifted out) is defined as bit 1. The second column is the name of the input or I/O at the bump and the third column is the bump number.

### IDENTIFICATION (ID) REGISTER

The ID register is a 32–bit register that is loaded with a device and vendor specific 32–bit code when the controller is put in capture–DR state with the IDCODE command loaded in the instruction register. The code is loaded from a 32–bit on–chip ROM. It describes various attributes of the RAM as indicated below. The register is then placed between the TDI and TDO pins when the controller is moved into shift–DR state. Bit 0 in the register is the LSB and the first to reach TDO when shifting begins.

#### ID Register Presence Indicator

Bit No.	0
Value	1

#### Motorola JEDEC ID Code (Compressed Format, per IEEE Standard 1149.1–1990)

Bit No.	11	10	9	8	7	6	5	4	3	2	1
Value	0	0	0	0	0	0	0	1	1	1	0

#### Reserved For Future Use

Bit No.	17	16	15	14	13	12
Value	x	x	x	x	x	x

#### Device Width

Configuration	Bit No.	22	21	20	19	18
256K x 36	Value	0	0	1	0	0
512K x 18	Value	0	0	0	1	1

#### Device Depth

Configuration	Bit No.	27	26	25	24	23
256K x 36	Value	0	0	1	1	0
512K x 18	Value	0	0	1	1	1

#### Revision Number

Bit No.	31	30	29	28
Value	x	x	x	x

Figure 5. ID Register Bit Meanings



**MCM64E918 x18 Boundary Scan Order**

Bit No.	Signal Name	Bump ID	Bit No.	Signal Name	Bump ID
1	SA1	5R	36	DQ	1H
2	SA0	5T	37	ZQ <sup>5</sup>	5A
3	SA	6R	38	B1	5B
4	SA	7T	39	B2	5K
5	SA	7P	40	B3	5L
6	DQ	8T	41	$\overline{\text{LBO}}$	4L
7	DQ	9P	42	DQ	2K
8	$\overline{\text{CQ}}^1$	8M	43	DQ	1M
9	DQ	7K	44	DQ	3M
10	DQ	9K	45	DQ	2P
11	NC <sup>2,3</sup>	6L	46	DQ	1T
12	$\overline{\text{CK}}$	5H	47	SA	3P
13	CK	5G	48	SA	3T
14	$\overline{\text{G}}$	5C	49	SA	4R
15	DQ	8H			
16	DQ	9F			
17	DQ	7F			
18	DQ	8D			
19	DQ	9B			
20	SA	7D			
21	SA	7C			
22	SA	7B			
23	SA	7A			
24	SA	6C			
25	SA	6A			
26	SA	4A			
27	SA	4C			
28	SA	3A			
29	SA	3B			
30	SA	3C			
31	NC <sup>2,4</sup>	3D			
32	DQ	2B			
33	DQ	1D			
34	$\text{CQ}^1$	2F			
35	DQ	3H			

**NOTES:**

1. CQ,  $\overline{\text{CQ}}$  pins scan to biased level, just like DQs.
2. NC pads are place holder bits and are true no-connects. When reading out the boundary scan register, these bits are forced high.
3. Place holder for Mode pin.
4. Placeholder for 16M DDR.
5. ZQ (5A) scans to biased level.

**MCM64E836 x36 Boundary Scan Order**

Bit No.	Signal Name	Bump ID	Bit No.	Signal Name	Bump ID
1	SA1	5R	36	SA	4A
2	SA0	5T	37	SA	4C
3	SA	6R	38	SA	3A
4	SA	7T	39	SA	3B
5	SA	7P	40	SA	3C
6	DQ	8T	41	NC <sup>2,4</sup>	3D
7	DQ	9T	42	DQ	2B
8	DQ	8P	43	DQ	1B
9	DQ	7M	44	DQ	2D
10	DQ	9P	45	DQ	3F
11	$\overline{\text{CQ}}^1$	8M	46	DQ	1D
12	DQ	9M	47	$\text{CQ}^1$	2F
13	DQ	7K	48	DQ	1F
14	DQ	8K	49	DQ	3H
15	DQ	9K	50	DQ	2H
16	NC <sup>2,3</sup>	6L	51	DQ	1H
17	$\overline{\text{CK}}$	5H	52	ZQ <sup>5</sup>	5A
18	CK	5G	53	B1	5B
19	$\overline{\text{G}}$	5C	54	B2	5K
20	DQ	9H	55	B3	5L
21	DQ	8H	56	$\overline{\text{LBO}}$	4L
22	DQ	7H	57	DQ	1K
23	DQ	9F	58	DQ	2K
24	$\text{CQ}^1$	8F	59	DQ	3K
25	DQ	9D	60	DQ	1M
26	DQ	7F	61	$\overline{\text{CQ}}^1$	2M
27	DQ	8D	62	DQ	1P
28	DQ	9B	63	DQ	3M
29	DQ	8B	64	DQ	2P
30	SA	7D	65	DQ	1T
31	SA	7C	66	DQ	2T
32	SA	7B	67	SA	3T
33	SA	7A	68	SA	4R
34	SA	6C			
35	SA	6A			

## TAP CONTROLLER INSTRUCTION SET

### OVERVIEW

There are two classes of instructions defined in the IEEE Standard 1149.1–1990; the standard (public) instructions and device specific (private) instructions. Some public instructions are mandatory for IEEE 1149.1 compliance. Optional public instructions must be implemented in prescribed ways.

Although the TAP controller in this device follows the IEEE 1149.1 conventions, it is not IEEE 1149.1 compliant because some of the mandatory instructions are not fully implemented. The TAP on this device may be used to monitor all input and I/O pads, but can not be used to load address, data, or control signals into the RAM or to preload the I/O buffers. In other words, the device will not perform IEEE 1149.1 EXTEST, INTEST, or the preload portion of the SAMPLE/PRELOAD command.

When the TAP controller is placed in capture–IR state, the two least significant bits of the instruction register are loaded with 01. When the controller is moved to the shift–IR state, the instruction register is placed between TDI and TDO. In this state, the desired instruction is serially loaded through the TDI input (while the previous contents are shifted out at TDO). For all instructions, the TAP executes newly loaded instructions only when the controller is moved to update–IR state. The TAP instruction sets for this device are listed in the following tables.

### STANDARD (PUBLIC) INSTRUCTIONS

#### BYPASS

The BYPASS instruction is loaded in the instruction register when the bypass register is placed between TDI and TDO. This occurs when the TAP controller is moved to the shift–DR state. This allows the board level scan path to be shortened to facilitate testing of other devices in the scan path.

#### SAMPLE/PRELOAD

SAMPLE/PRELOAD is an IEEE 1149.1 mandatory public instruction. When the SAMPLE/PRELOAD instruction is loaded in the instruction register, moving the TAP controller into the capture–DR state loads the data in the RAMs input and I/O buffers into the boundary scan register. Because the RAM clock(s) are independent from the TAP clock (TCK), it is possible for the TAP to attempt to capture the I/O ring contents while the input buffers are in transition (i.e., in a metastable state). Although allowing the TAP to sample metastable inputs will not harm the device, repeatable results can not be

expected. RAM input signals must be stabilized for long enough to meet the TAPs input data capture setup plus hold time ( $t_{CS}$  plus  $t_{CH}$ ). The RAMs clock inputs need not be paused for any other TAP operation except capturing the I/O ring contents into the boundary scan register.

Moving the controller to shift–DR state then places the boundary scan register between the TDI and TDO pins. Because the PRELOAD portion of the command is not implemented in this device, moving the controller to the update–DR state with the SAMPLE/PRELOAD instruction loaded in the instruction register, has the same effect as the pause–DR command. This functionality is not IEEE 1149.1 compliant.

#### EXTEST

EXTEST is an IEEE 1149.1 mandatory public instruction. It is to be executed whenever the instruction register, whatever length it may be in the device, is loaded with all logic 0s. EXTEST is not implemented in this device. Therefore, this device is not IEEE 1149.1 compliant. Nevertheless, this RAMs TAP does respond to an all 0s instruction, as follows. With the EXTEST (000) instruction loaded in the instruction register, the RAM responds just as it does in response to the SAMPLE/PRELOAD instruction described above, except the DQ and CQ pins are forced to High–Z any time the instruction is loaded.

#### IDCODE

The IDCODE instruction causes the ID ROM to be loaded into the ID register when the controller is in capture–DR mode and places the ID register between the TDI and TDO pins in shift–DR mode. The IDCODE instruction is the default instruction loaded in at power up and any time the controller is placed in the test–logic–reset state.

### DEVICE SPECIFIC (PUBLIC) INSTRUCTION

#### SAMPLE–Z

If the SAMPLE–Z instruction is loaded in the instruction register, all DQ pins are forced to an inactive drive state (High–Z) and the boundary scan register is connected between TDI and TDO when the TAP controller is moved to the shift–DR state.

### DEVICE SPECIFIC (PRIVATE) INSTRUCTION

#### NO OP

Do not use these instructions; they are reserved for future use.

## STANDARD (PUBLIC) INSTRUCTION CODES

Instruction	Code*	Description
EXTEST	000	Captures I/O ring contents. Places the boundary scan register between TDI and TDO. Forces all DQ pins to High-Z state. <b>NOT IEEE 1149.1 COMPLIANT.</b>
IDCODE	001**	Preloads ID register and places it between TDI and TDO. Does not affect RAM operation.
SAMPLE/PRELOAD	100	Captures I/O ring contents. Places the boundary scan register between TDI and TDO. Does not affect RAM operation. Does not implement IEEE 1149.1 PRELOAD function. <b>NOT IEEE 1149.1 COMPLIANT.</b>
BYPASS	111	Places bypass register between TDI and TDO. Does not affect RAM operation.
SAMPLE-Z	010	Captures I/O ring contents. Places the boundary scan register between TDI and TDO. Forces all DQ pins to High-Z state.

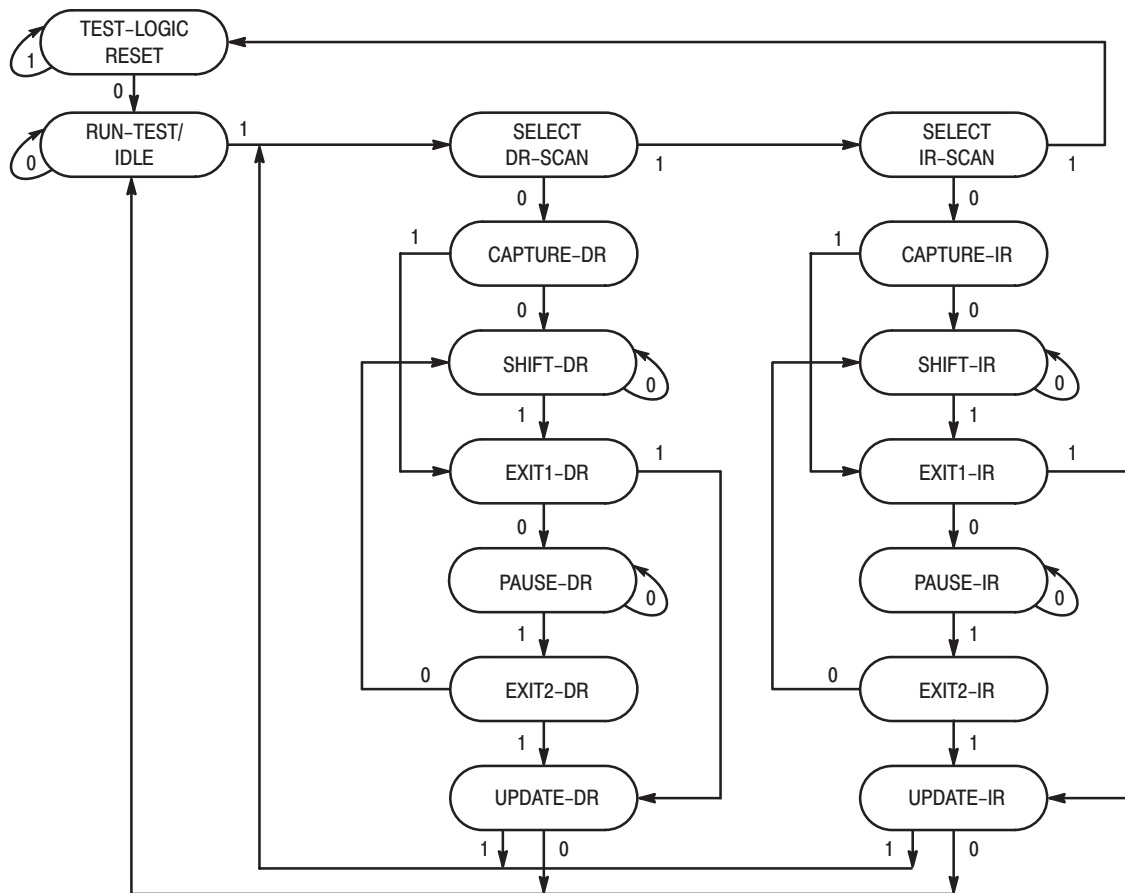
\* Instruction codes expressed in binary; MSB on left, LSB on right.

\*\* Default instruction automatically loaded at power-up and in test-logic-reset state.

## STANDARD (PRIVATE) INSTRUCTION CODES

Instruction	Code*	Description
NO OP	011	Do not use these instructions; they are reserved for future use.
NO OP	101	Do not use these instructions; they are reserved for future use.
NO OP	110	Do not use these instructions; they are reserved for future use.

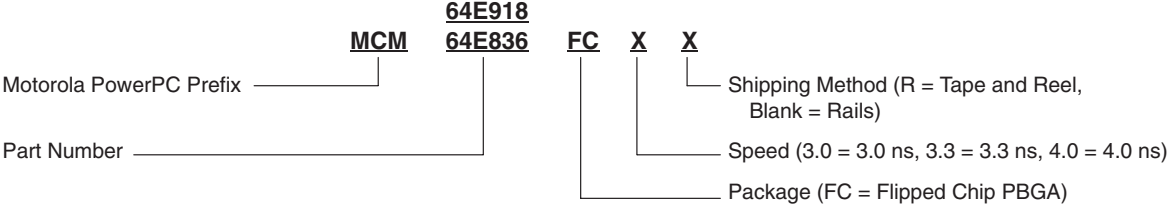
\* Instruction codes expressed in binary; MSB on left, LSB on right.



NOTE: The value adjacent to each state transition represents the signal present at TMS at the rising edge of TCK.

Figure 6. TAP Controller State Diagram

**ORDERING INFORMATION**  
(Order by Full Part Number)

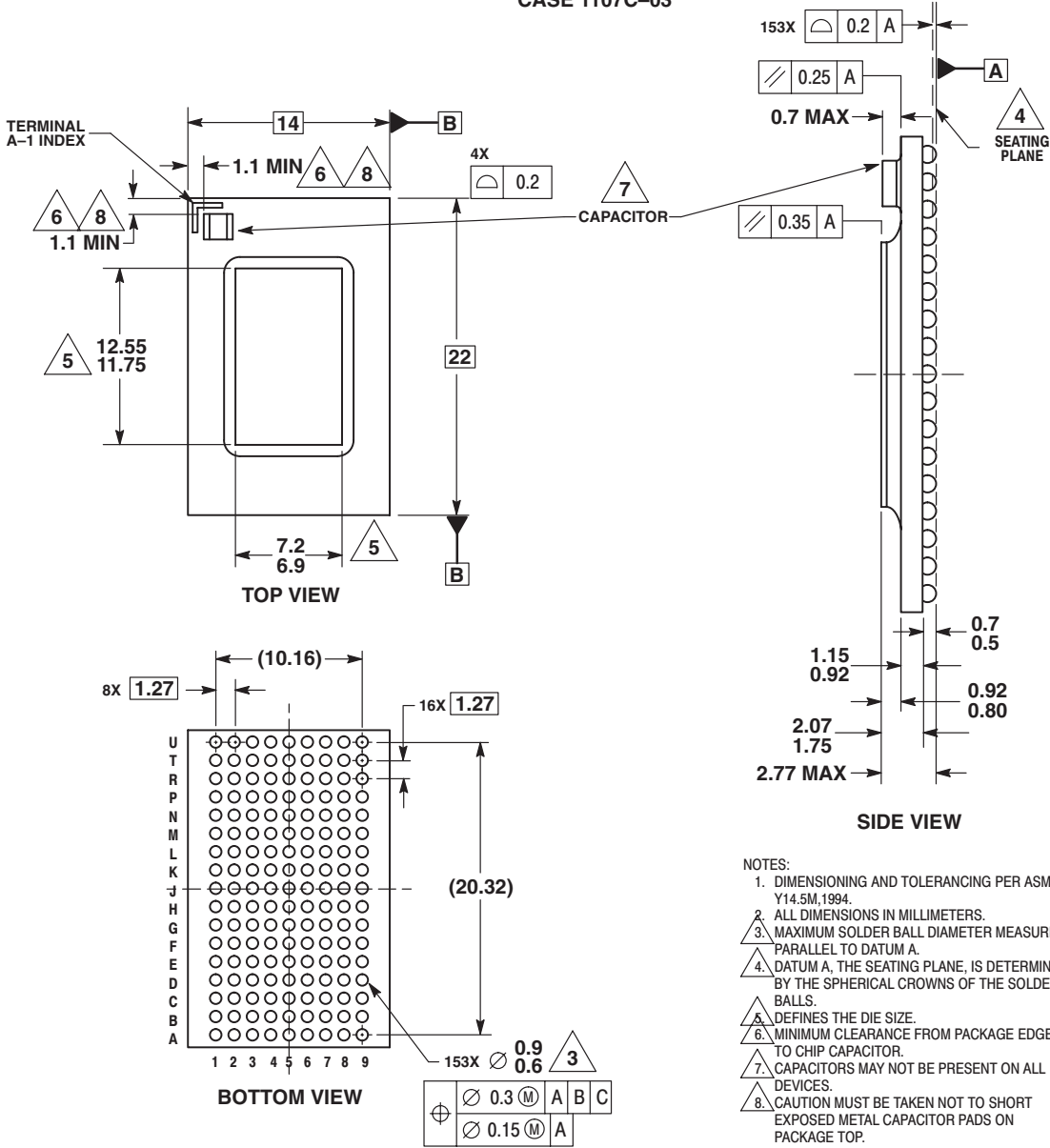



Full Part Numbers —

MCM64E918FC3.0	MCM64E918FC3.0R	MCM64E836FC3.0	MCM64E836FC3.0R
MCM64E918FC3.3	MCM64E918FC3.3R	MCM64E836FC3.3	MCM64E836FC3.3R
MCM64E918FC4.0	MCM64E918FC4.0R	MCM64E836FC4.0	MCM64E836FC4.0R

# PACKAGE DIMENSIONS

FC PACKAGE  
153-BUMP FLIPPED CHIP PBGA  
CASE 1107C-03



Motorola reserves the right to make changes without further notice to any products herein. Motorola makes no warranty, representation or guarantee regarding the suitability of its products for any particular purpose, nor does Motorola assume any liability arising out of the application or use of any product or circuit, and specifically disclaims any and all liability, including without limitation consequential or incidental damages. "Typical" parameters which may be provided in Motorola data sheets and/or specifications can and do vary in different applications and actual performance may vary over time. All operating parameters, including "Typicals" must be validated for each customer application by customer's technical experts. Motorola does not convey any license under its patent rights nor the rights of others. Motorola products are not designed, intended, or authorized for use as components in systems intended for surgical implant into the body, or other applications intended to support or sustain life, or for any other application in which the failure of the Motorola product could create a situation where personal injury or death may occur. Should Buyer purchase or use Motorola products for any such unintended or unauthorized application, Buyer shall indemnify and hold Motorola and its officers, employees, subsidiaries, affiliates, and distributors harmless against all claims, costs, damages, and expenses, and reasonable attorney fees arising out of, directly or indirectly, any claim of personal injury or death associated with such unintended or unauthorized use, even if such claim alleges that Motorola was negligent regarding the design or manufacture of the part. Motorola and  are registered trademarks of Motorola, Inc. Motorola, Inc. is an Equal Opportunity/Affirmative Action Employer.

**How to reach us:**

**USA/EUROPE/Locations Not Listed:** Motorola Literature Distribution;  
P.O. Box 5405, Denver, Colorado, 80217. 1-303-675-2140 or 1-800-441-2447

**TECHNICAL INFORMATION CENTER: 1-800-521-6274**

**HOME PAGE:** <http://motorola.com/semiconductors/>

**JAPAN:** Motorola Japan Ltd.; SPS, Technical Information Center,  
3-20-1, Minami-Azabu, Minato-ku, Tokyo 106-8573 Japan. 81-3-3440-3569

**ASIA/PACIFIC:** Motorola Semiconductors H.K. Ltd.; Silicon Harbour Centre,  
2 Dai King Street, Tai Po Industrial Estate, Tao Po, N.T., Hong Kong.  
852-26668334



**MOTOROLA**



**MCM64E918/D**