

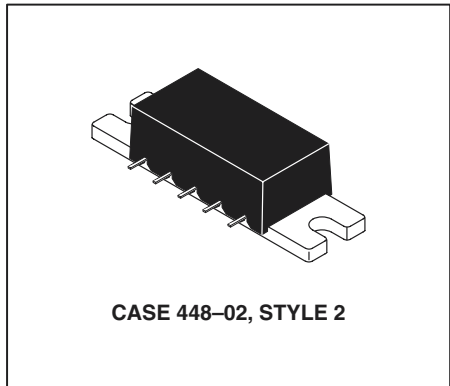
## The RF Line UHF Linear Amplifier

Designed specifically for linear amplifier applications in the cellular frequency band. Internal DC blocking on RF ports reduces external component count and related circuit area. This device can be easily combined for higher power applications.

- Supply Voltage: 15 Vdc
- Third Order Intercept: 43 dBm Typ
- Power Gain: 20 dB Typ (@ f = 900 MHz)
- Excellent Phase Linearity and Group Delay Characteristics
- 50 Ohm Input/Output Impedances

**MHL9125**

**1.3 W, 20 dB  
 800–960 MHz  
 LINEAR AMPLIFIER**



ARCHIVE INFORMATION

ARCHIVE INFORMATION

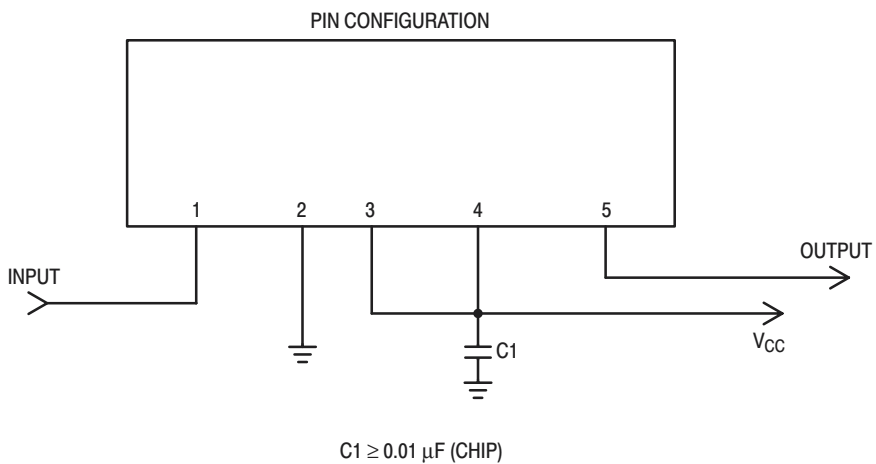
### ABSOLUTE MAXIMUM RATINGS (T<sub>C</sub> = 25°C unless otherwise stated)

Rating	Symbol	Value	Unit
DC Supply Voltage	V <sub>CC</sub>	18	Vdc
RF Input Power	P <sub>in</sub>	+20	dBm
Operating Case Temperature Range	T <sub>C</sub>	-20 to +100	°C
Storage Temperature Range	T <sub>stg</sub>	-40 to +100	°C

### ELECTRICAL CHARACTERISTICS (V<sub>CC</sub> = 15 Vdc, T<sub>C</sub> = 25°C; 50 Ω System, unless otherwise noted)

Characteristic	Symbol	Min	Typ	Max	Unit
Supply Current	I <sub>DC</sub>	700	—	760	mA
Power Gain (1)	P <sub>G</sub>	19	20	21	dB
Absolute Phase Variation (1)	Δφ		±8	±18	Deg.
Gain Flatness	G <sub>F</sub>	—	0.5	0.75	dB
Power Output @ 1 dB Comp.	P <sub>out</sub> 1 dB	30	31	—	dBm
Input VSWR	VSWR <sub>in</sub>	—	1.25:1 1.50:1	1.5:1 1.9:1	
Output VSWR	VSWR <sub>out</sub>	—	1.2:1	1.5:1	
Third Order Intercept (f <sub>1</sub> = 879 MHz, f <sub>2</sub> = 884 MHz)	ITO	42	43	—	dBm
Noise Figure	NF	—	7.5	9.5	dB

(1) Consult factory for tighter gain and/or phase windows.



**Figure 1. MHL9125 External Connections  
(Case 448-02, Style 2)**

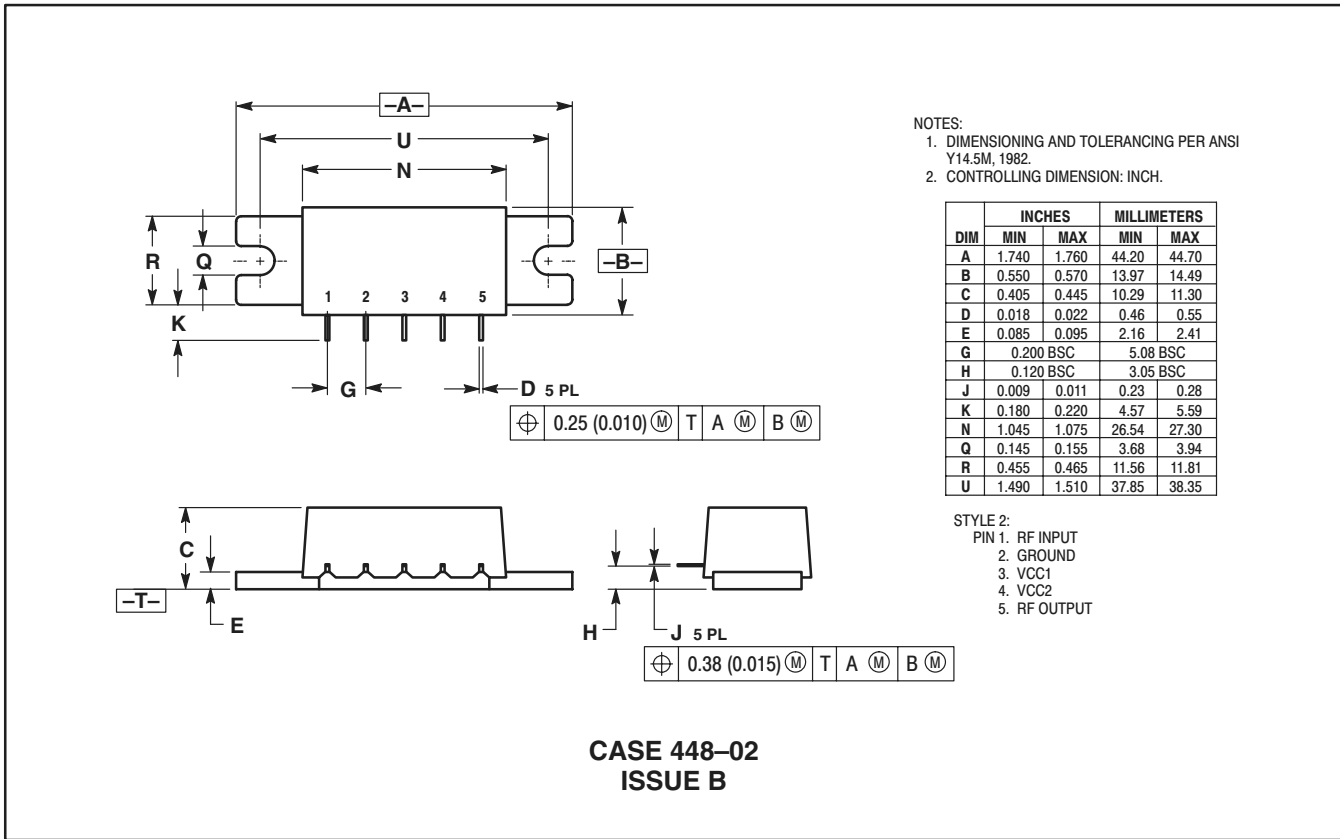
ARCHIVE INFORMATION

ARCHIVE INFORMATION



# NOTES

## PACKAGE DIMENSIONS



Motorola reserves the right to make changes without further notice to any products herein. Motorola makes no warranty, representation or guarantee regarding the suitability of its products for any particular purpose, nor does Motorola assume any liability arising out of the application or use of any product or circuit, and specifically disclaims any and all liability, including without limitation consequential or incidental damages. "Typical" parameters which may be provided in Motorola data sheets and/or specifications can and do vary in different applications and actual performance may vary over time. All operating parameters, including "Typicals" must be validated for each customer application by customer's technical experts. Motorola does not convey any license under its patent rights nor the rights of others. Motorola products are not designed, intended, or authorized for use as components in systems intended for surgical implant into the body, or other applications intended to support or sustain life, or for any other application in which the failure of the Motorola product could create a situation where personal injury or death may occur. Should Buyer purchase or use Motorola products for any such unintended or unauthorized application, Buyer shall indemnify and hold Motorola and its officers, employees, subsidiaries, affiliates, and distributors harmless against all claims, costs, damages, and expenses, and reasonable attorney fees arising out of, directly or indirectly, any claim of personal injury or death associated with such unintended or unauthorized use, even if such claim alleges that Motorola was negligent regarding the design or manufacture of the part. Motorola and are registered trademarks of Motorola, Inc. Motorola, Inc. is an Equal Opportunity/Affirmative Action Employer.

Mfax is a trademark of Motorola, Inc.

**How to reach us:**

**USA/EUROPE/Locations Not Listed:** Motorola Literature Distribution;  
P.O. Box 5405, Denver, Colorado 80217. 1-303-675-2140 or 1-800-441-2447

**JAPAN:** Nippon Motorola Ltd.; SPD, Strategic Planning Office, 141,  
4-32-1 Nishi-Gotanda, Shinagawa-ku, Tokyo, Japan. 81-3-5487-8488

**Customer Focus Center: 1-800-521-6274**

**Mfax™:** RMFAX0@email.sps.mot.com – TOUCHTONE 1-602-244-6609  
Motorola Fax Back System – US & Canada ONLY 1-800-774-1848  
– http://sps.motorola.com/mfax/

**ASIA/PACIFIC:** Motorola Semiconductors H.K. Ltd.; 8B Tai Ping Industrial Park,  
51 Ting Kok Road, Tai Po, N.T., Hong Kong. 852-26629298

**HOME PAGE:** <http://motorola.com/sps/>