

MOSTEK®

MILITARY/HIGH-REL PRODUCTS

PROCESSED TO MIL-STD 883, METHOD 5004, CLASS B

1024 x 8-Bit Static RAM

MKB4801A(P/J/E)-870/890/81

FEATURES

- Static operation
- Organization: 1K x 8 bit RAM JEDEC pinout
- Pin compatible with Mostek's BYTEWYDE™ memory family
- 24/28 pin ROM/PROM compatible pin configuration
- \overline{CE} and \overline{OE} functions facilitate bus control

□ -55°C to 125°C operating temperature

□ High performance

Part No.	Access Time	R/W Cycle Time
MKB4801A-870	70 nsec	70/80 nsec
MKB4801A-890	90 nsec	90/100 nsec
MKB4801A-81	120 nsec	120 nsec

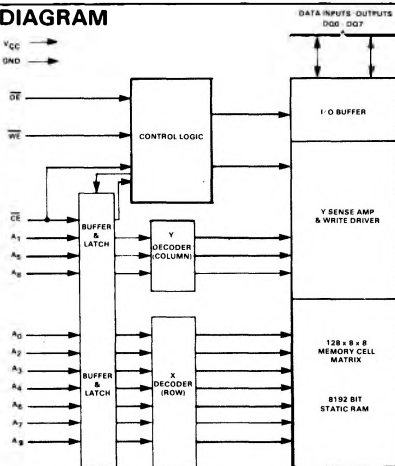
DESCRIPTION

The MKB4801A uses Mostek's Scaled POLY 5™ process and advanced circuit design techniques to package 8,192 bits of static RAM on a single chip. Static operation is achieved with high performance and low power dissipation by utilizing Address Activated™ circuit design techniques.

The MKB4801A excels in high speed memory applications where the organization requires relatively shallow depth with a wide word format. The MKB4801A presents the user a high density cost effective alternative to bipolar and previous generation N-MOS fast memory.

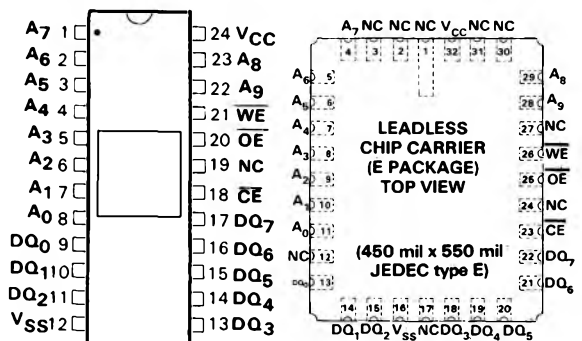
BLOCK DIAGRAM

Figure 1



PIN CONNECTIONS

Figure 2



TRUTH TABLE

\overline{CE}	\overline{OE}	\overline{WE}	Mode	DQ
V_{IH}	X	X	Deselect	High Z
V_{IL}	X	V_{IL}	Write	D_{IN}
V_{IL}	V_{IL}	V_{IH}	Read	D_{OUT}
V_{IL}	V_{IH}	V_{IH}	Read	High Z

X = Don't Care

PIN NAMES

A_0 - A_9	Address Inputs	\overline{WE}	Write Enable
\overline{CE}	Chip Enable	\overline{OE}	Output Enable
V_{SS}	Ground	NC	No Connection
V_{CC}	Power (+5 V)	DQ_0 - DQ_7	Data In/Data Out

ABSOLUTE MAXIMUM RATINGS*

Voltage on any pin relative to V_{SS} -0.3 V to +7.0 V
 Operating Temperature T_A (Ambient) -55°C to +125°C
 Storage Temperature (Ambient) (Ceramic) -65°C to +150°C
 Power Dissipation 1 Watt
 Output Current 20 mA

*Stresses greater than those listed under "Absolute Maximum Ratings" may cause permanent damage to the device. This is a stress rating only and functional operation of the device at these or any other conditions above those indicated in the operational sections of this specification is not implied. Exposure to absolute maximum rating conditions for extended periods may affect reliability.

RECOMMENDED DC OPERATING CONDITIONS⁹

(-55°C ≤ T_A ≤ +125°C)

SYM	PARAMETER	MIN	TYP	MAX	UNITS	NOTES
V_{CC}	Supply Voltage	4.75	5.0	5.25	V	1
V_{SS}	Supply Voltage	0	0	0	V	1
V_{IH}	Logic "1" Voltage All Inputs	2.4		7.0	V	1
V_{IL}	Logic "0" Voltage All Inputs	-0.3		.65	V	1, 10

DC ELECTRICAL CHARACTERISTICS^{1,9}

(-55°C ≤ T_A ≤ +125°C) (V_{CC} = 5.0 volts ±5%)

SYM	PARAMETER	MIN	MAX	UNITS	NOTES
I_{CC1}	Average V_{CC} Power Supply Current		120	mA	9
I_{CC1}	Average V_{CC} Power Supply Current (T_A = 125°C)		90	mA	9, 11
I_{IL}	Input Leakage Current (Any Input)	-10	10	μA	2
I_{OL}	Output Leakage Current	-50	50	μA	2
V_{OH}	Output Logic "1" Voltage I_{OUT} = -1 mA	2.4		V	
V_{OL}	Output Logic "0" Voltage I_{OUT} = 4 mA		0.4	V	

AC ELECTRICAL CHARACTERISTICS^{3,4}

($-55^{\circ}\text{C} \leq T_A \leq 125^{\circ}\text{C}$) ($V_{CC} = 5.0 \text{ volts} \pm 5\%$)

SYM	PARAMETER	MKB4801A-870		MKB4801A-890		MKB4801A-81		UNITS	NOTES
		MIN	MAX	MIN	MAX	MIN	MAX		
t_{RC}	Read Cycle Time	70		90		120		ns	
t_{AA}	Address Access Time		70		90		120	ns	5
t_{CEA}	Chip Enable Access Time		35		45		60	ns	5
t_{CEZ}	Chip Enable Data Off Time	5	20	5	30	5	30	ns	
t_{OEA}	Output Enable Access Time		35		45		60	ns	5
t_{OEZ}	Output Enable Data Off Time	5	20	5	30	5	30	ns	
t_{AZ}	Address Data Off Time	10		10		10		ns	
t_{WC}	Write Cycle Time	80		100		120		ns	
t_{AS}	Address Setup Time	0		0		0		ns	see text
t_{AH}	Address Hold Time	20		30		40		ns	see text
t_{DSW}	Data To Write Setup Time	5		5		10		ns	
t_{DHW}	Data From Write Hold Time	10		10		15		ns	
t_{WD}	Write Pulse Duration	30		40		45		ns	see text
t_{WEZ}	Write Enable Data Off Time	5	15	5	25	5	30	ns	
t_{WPL}	Write Pulse Lead Time	50		60		75		ns	

CAPACITANCE^{1,8}

($-55^{\circ}\text{C} \leq T_A \leq +125^{\circ}\text{C}$) ($V_{CC} = +5.0 \text{ volts} \pm 5\%$)

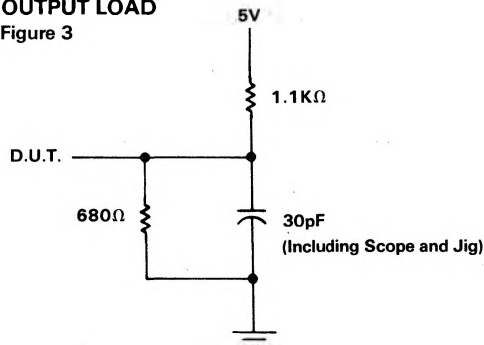
SYM	PARAMETER	TYP	MAX	NOTES
C_I	All pins (except D/Q)	4 pF		6
$C_{D/Q}$	D/Q pins	10 pF		6,7

NOTES:

- All voltages referenced to V_{SS} .
- Measured with $4 \leq V_I \leq 5.0 \text{ V}$, outputs deselected and $V_{CC} = 5 \text{ V}$.
- AC measurements assume Transition Time = 5 ns; levels V_{SS} to 3.0 V.
- Input and output timing reference levels are at 1.5 V.
- Measured with a load as shown in Figure 3.
- Effective capacitance calculated from the equation $C = \frac{\Delta Q}{\Delta V}$ with $\Delta V = 3 \text{ volts}$ and power supplies at nominal levels.
- Output buffer is deselected.
- A minimum of 2 ms time delay is required after application of V_{CC} (+5 V) before proper device operation can be achieved.
- I_{CC1} measured with outputs open.
- Negative undershoots to a minimum of -1.5 V are allowed with a maximum of 50 ns pulse width. DC value of low level input must not exceed -0.3 V.
- Power supply current decreases with increasing temperature.

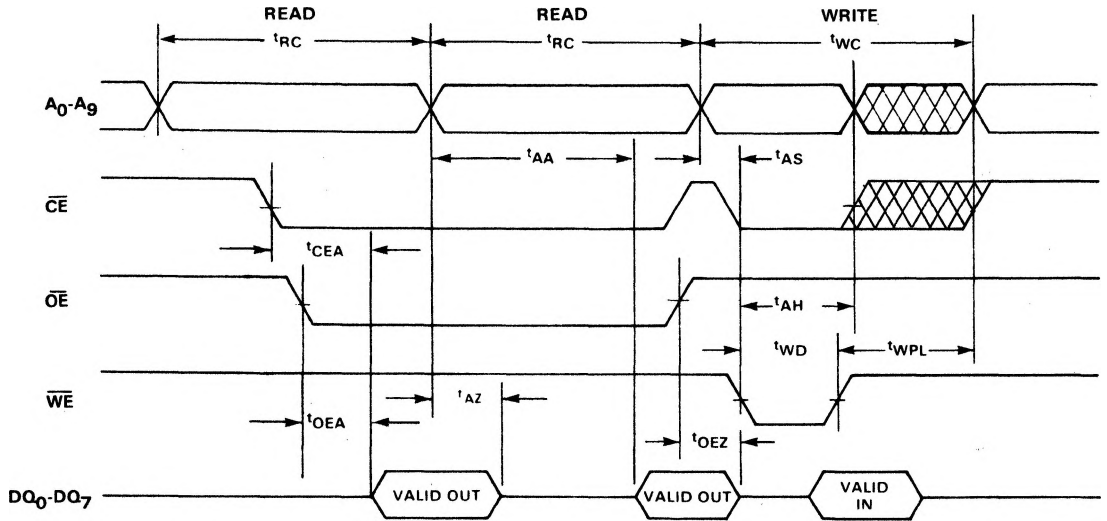
OUTPUT LOAD

Figure 3



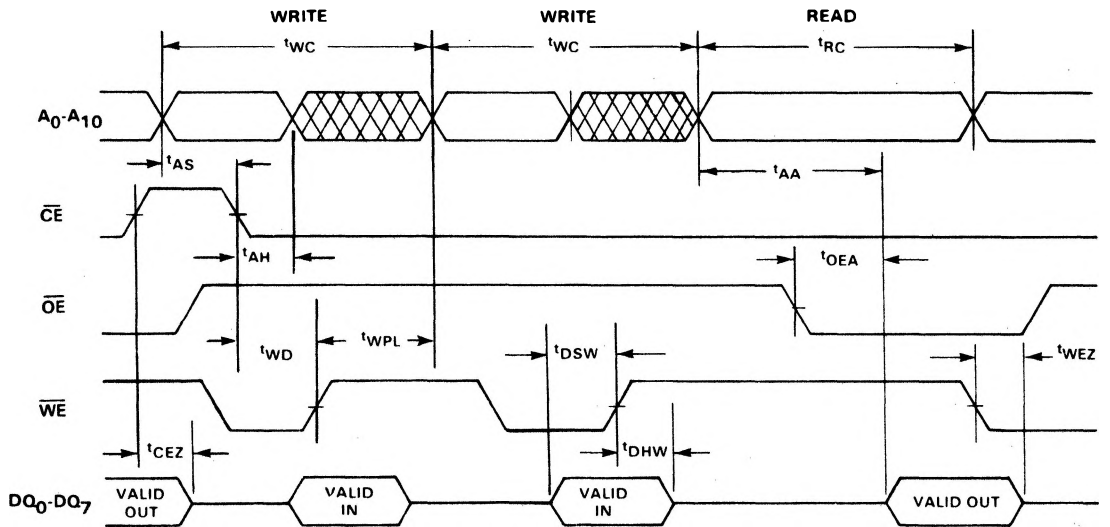
TIMING DIAGRAM

Figure 4



TIMING DIAGRAM

Figure 5



DESCRIPTION (Cont.)

The MKB4801A features a fast \overline{CE} (50% of Address Access) function to permit memory expansion without impacting system access time. A fast \overline{OE} (50% of access time) is included to permit data interleaving for enhanced system performance.

The MKB4801A is pin compatible with Mostek's BYTEWYDE™ memory family of RAMs, ROMs and EPROMs.

OPERATION

Read Mode

The MKB4801A is in the READ MODE whenever the Write Enable Control input (\overline{WE}) is in the high state.

In the READ mode of operation, the MKB4801A provides a fast address ripple-through access of data from 8 of 8192 locations in the static storage array. Thus, the unique address specified by the 10 Address Inputs (A_n) define which 1 of 1024 bytes of data is to be accessed.

A transition on any of the 10 address inputs will disable the 8 Data Output Drivers after t_{AZ} . Valid Data will be available to the 8 Data Output Drivers within t_{AA} after the last address input signal is stable, providing that the \overline{CE} and \overline{OE} access times are satisfied. If \overline{CE} or \overline{OE} access times are not met, data access will be measured from the limiting parameter

(t_{CEA} or t_{OEA}) rather than the address. The state of the 8 data I/O signals is controlled by the Chip Enable (\overline{CE}) and Output Enable (\overline{OE}) control signals.

Write Mode

The MKB4801A is in the Write Mode whenever the Write Enable (\overline{WE}) and Chip Enable (\overline{CE}) control inputs are in the low state.

The WRITE cycle is initiated by the \overline{WE} pulse going low provided that \overline{CE} is also low. The leading edge of the \overline{WE} pulse is used to latch the status of the address bus.

NOTE: In a write cycle the latter occurring edge of either \overline{WE} or \overline{CE} will determine the start of the write cycle. Therefore, t_{AS} , t_{WD} and t_{AH} are referenced to the latter occurring edge of \overline{CE} or \overline{WE} . Addresses are latched at this time. All write cycles whether initiated by \overline{CE} or \overline{WE} must be terminated by the rising edge of \overline{WE} . If the output bus has been enabled (\overline{CE} and \overline{OE} low) then \overline{WE} will cause the output to go to the high Z state in t_{WEZ} .

Data In must be valid t_{DSW} prior to the low to high transition of \overline{WE} . The Data In lines must remain stable for t_{DHW} after \overline{WE} goes inactive. The write control of the MKB4801A disables the data out buffers during the write cycle; however, \overline{OE} should be used to disable the data out buffers to prevent bus contention between the input data and data that would be output upon completion of the write cycle.