

# MM54HC4066/MM74HC4066 Quad Analog Switch

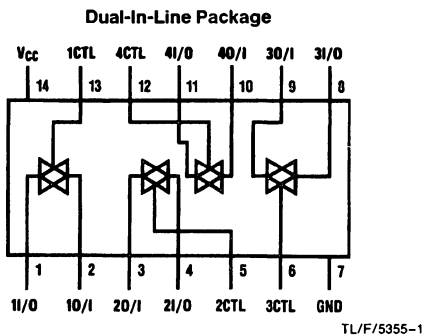
## General Description

These devices are digitally controlled analog switches utilizing advanced silicon-gate CMOS technology. These switches have low "on" resistance and low "off" leakages. They are bidirectional switches, thus any analog input may be used as an output and visa-versa. Also the '4066 switches contain linearization circuitry which lowers the "on" resistance and increases switch linearity. The '4066 devices allow control of up to 12V (peak) analog signals with digital control signals of the same range. Each switch has its own control input which disables each switch when low. All analog inputs and outputs and digital inputs are protected from electrostatic damage by diodes to  $V_{CC}$  and ground.

## Features

- Typical switch enable time: 15 ns
- Wide analog input voltage range: 0–12V
- Low "on" resistance: 30  $\Omega$  typ. ('4066)
- Low quiescent current: 80  $\mu$ A maximum (74HC)
- Matched switch characteristics
- Individual switch controls

## Connection Diagram



Order Number MM54HC4066\* or MM74HC4066\*

\*Please look into Section 8, Appendix D for availability of various package types.

## Truth Table

Input	Switch
CTL	I/O–O/I
L	"OFF"
H	"ON"

See the CMOS Logic Databook for Complete Specifications

## Schematic Diagram

