

MM78C29,MM78C30,MM88C29,MM88C30

*MM78C29 MM88C29 Quad Single-Ended Line Driver MM78C30 MM88C30 Dual
Differential Line Driver*



Literature Number: SNOS351A

MM78C29/MM88C29 Quad Single-Ended Line Driver MM78C30/MM88C30 Dual Differential Line Driver

General Description

The MM78C30/MM88C30 is a dual differential line driver that also performs the dual four-input NAND or dual four-input AND function. The absence of a clamp diode to V_{CC} in the input protection circuitry of the MM78C30/MM88C30 allows a CMOS user to interface systems operating at different voltage levels. Thus, a CMOS digital signal source can operate at a V_{CC} voltage greater than the V_{CC} voltage of the MM78C30 line driver. The differential output of the MM78C30/MM88C30 eliminates ground-loop errors.

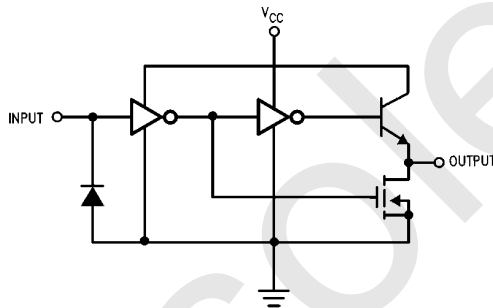
The MM78C29/MM88C29 is a non-inverting single-wire transmission line driver. Since the output ON resistance is a low 20Ω typ., the device can be used to drive lamps, relays, solenoids, and clock lines, besides driving data lines.

Features

- Wide supply voltage range 3V to 15V
- High noise immunity $0.45 V_{CC}$ (typ.)
- Low output ON resistance 20Ω (typ.)

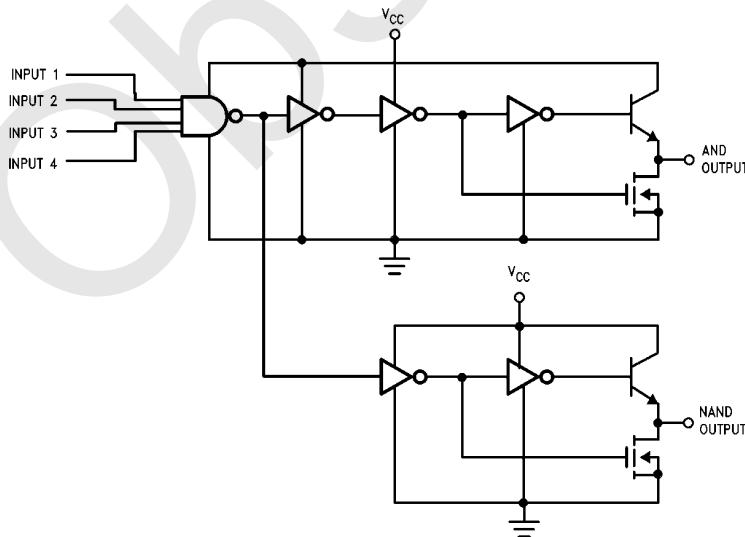
Logic Diagrams

1/4 MM78C29/MM88C29



TL/F/5908-1

1/2 MM78C30/MM88C30



TL/F/5908-2

Absolute Maximum Ratings (Note 1)

If Military/Aerospace specified devices are required, please contact the National Semiconductor Sales Office/Distributors for availability and specifications.

Voltage at Any Pin (Note 1)	-0.3V to $V_{CC} + 16V$
Operating Temperature Range	
MM78C29/MM78C30	-55°C to +125°C
MM88C29/MM88C30	-40°C to +85°C
Storage Temperature	-65°C to +150°C
Power Dissipation (P_D)	
Dual-In-Line	700 mW
Small Outline	500 mW

Operating V_{CC} Range	3V to 15V
Absolute Maximum V_{CC}	18V
Average Current at Output	
MM78C30/MM88C30	50 mA
MM78C29/MM88C29	25 mA
Maximum Junction Temperature, T_j	150°C
Lead Temperature (Soldering, 10 seconds)	260°C

DC Electrical Characteristics Min/Max limits apply across temperature range unless otherwise noted

Symbol	Parameter	Conditions	Min	Typ	Max	Units
CMOS TO CMOS						
$V_{IN(1)}$	Logical "1" Input Voltage	$V_{CC} = 5V$ $V_{CC} = 10V$	3.5 8			V V
$V_{IN(0)}$	Logical "0" Input Voltage	$V_{CC} = 5V$ $V_{CC} = 10V$			1.5 2	V V
$I_{IN(1)}$	Logical "1" Input Current	$V_{CC} = 15V, V_{IN} = 15V$		0.005	1	μA
$I_{IN(0)}$	Logical "0" Input Current	$V_{CC} = 15V, V_{IN} = 0V$	-1	-0.005		μA
I_{CC}	Supply Current	$V_{CC} = 5V$		0.05	100	mA
OUTPUT DRIVE						
I_{SOURCE}	Output Source Current MM78C29/MM78C30	$V_{OUT} = V_{CC} - 1.6V,$ $V_{CC} \geq 4.5V, T_j = 25^\circ C$ $T_j = 125^\circ C$	-57 -32	-80 -50		mA mA
	MM88C29/MM88C30	$V_{OUT} = V_{CC} - 1.6V,$ $V_{CC} \geq 4.75V, T_j = 25^\circ C$ $T_j = 85^\circ C$	-47 -32	-80 -60		mA mA
	MM78C29/MM88C29 MM78C30/MM88C30	$V_{OUT} = V_{CC} - 0.8V$ $V_{CC} \geq 4.5V$	-2	-20		mA
I_{SINK}	Output Sink Current MM78C29/MM78C30	$V_{OUT} = 0.4V, V_{CC} = 4.5V,$ $T_j = 25^\circ C$ $T_j = 125^\circ C$	11 8	20 14		mA mA
		$V_{OUT} = 0.4V, V_{CC} = 10V,$ $T_j = 25^\circ C$ $T_j = 125^\circ C$	22 16	40 28		mA mA
	MM88C29/MM88C30	$V_{OUT} = 0.4V, V_{CC} = 4.75V,$ $T_j = 25^\circ C$ $T_j = 85^\circ C$	9.5 8	22 18		mA mA
		$V_{OUT} = 0.4V, V_{CC} = 10V,$ $T_j = 25^\circ C$ $T_j = 125^\circ C$	19 15.5	40 33		mA mA
I_{SOURCE}	Output Source Resistance MM78C29/MM78C30	$V_{OUT} = V_{CC} - 1.6V,$ $V_{CC} \geq 4.5V, T_j = 25^\circ C$ $T_j = 125^\circ C$		20 32	28 50	Ω Ω
	MM88C29/MM88C30	$V_{OUT} = V_{CC} - 1.6V,$ $V_{CC} \geq 4.75V, T_j = 25^\circ C$ $T_j = 85^\circ C$		20 27	34 50	Ω Ω

DC Electrical Characteristics

Min/Max limits apply across temperature range, unless otherwise noted (Continued)

Symbol	Parameter	Conditions	Min	Typ	Max	Units
OUTPUT DRIVE (Continued)						
I_{SINK}	Output Sink Resistance MM78C29/MM78C30	$V_{OUT} = 0.4V, V_{CC} = 4.50V,$ $T_j = 25^\circ C$		20	36	Ω
		$T_j = 125^\circ C$		28	50	Ω
	MM88C29/MM88C30	$V_{OUT} = 0.4V, V_{CC} = 10V,$ $T_j = 25^\circ C$		10	18	Ω
		$T_j = 125^\circ C$		14	25	Ω
MM88C29/MM88C30	Output Sink Resistance MM88C29/MM88C30	$V_{OUT} = 0.4V, V_{CC} = 4.75V,$ $T_j = 25^\circ C$		18	41	Ω
		$T_j = 85^\circ C$		22	50	Ω
	Output Resistance Temperature Coefficient Source Sink			0.55		$\%/^\circ C$
				0.40		$\%/^\circ C$
θ_{JA}	Thermal Resistance MM78C29/MM78C30 (D-Package)			100		$^\circ C/W$
	MM88C29/MM88C30 (N-Package)			150		$^\circ C/W$

AC Electrical Characteristics* $T_A = 25^\circ C, C_L = 50 pF$

Symbol	Parameter	Conditions	Min	Typ	Max	Units
t_{pd}	Propagation Delay Time to Logical "1" or "0" MM78C29/MM88C29	(See Figure 2)				
		$V_{CC} = 5V$		80	200	ns
	$V_{CC} = 10V$		35	100	ns	
	MM78C30/MM88C30	$V_{CC} = 5V$		110	350	ns
		$V_{CC} = 10V$		50	150	ns
t_{pd}	Differential Propagation Delay Time to Logical "1" or "0" MM78C30/MM88C30	$R_L = 100\Omega, C_L = 5000 pF$ (See Figure 1) $V_{CC} = 5V$ $V_{CC} = 10V$			400 150	ns ns
C_{IN}	Input Capacitance MM78C29/MM88C29 MM78C30/MM88C30	(Note 3)		5.0		pF
		(Note 3)		5.0		pF
C_{PD}	Power Dissipation Capacitance MM78C29/MM88C29 MM78C30/MM88C30	(Note 3)		150		pF
		(Note 3)		200		pF

*AC Parameters are guaranteed by DC correlated testing.

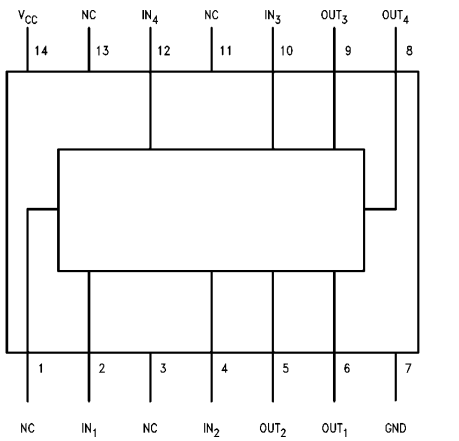
Note 1: "Absolute Maximum Ratings" are those values beyond which the safety of the device cannot be guaranteed. Except for "Operating Temperature Range" they are not meant to imply that the devices should be operated at these limits. The table of "Electrical Characteristics" provides conditions for actual device operation.

Note 2: Capacitance is guaranteed by periodic testing.

Note 3: C_{PD} determines the no load AC power consumption of any CMOS device. For complete explanation see 54C/74C Family Characteristics application note AN-90 (CMOS Logic Databook).

Connection Diagrams

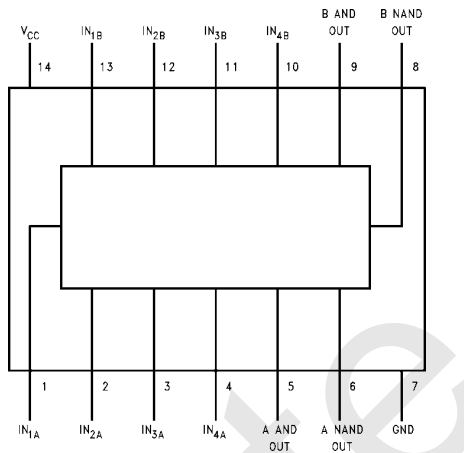
**Dual-In-Line Package
MM78C29/MM88C29**



Top View

TL/F/5908-3

**Dual-In-Line Package
MM78C30/MM88C30**



Top View

TL/F/5908-4

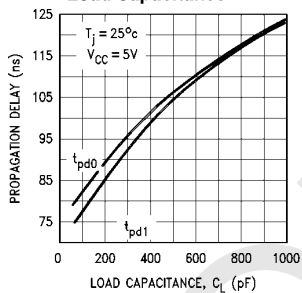
Order Number MM88C29M or MM88C29N

Order Number MM88C30M or MM88C30N

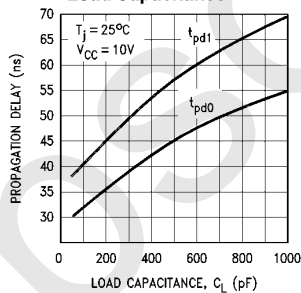
For Complete Military 883 Specifications, see RETS Data Sheet.
Order Number MM78C29J/883, MM78C29W/883, MM78C30J/883 or MM78C30W/883

Typical Performance Characteristics

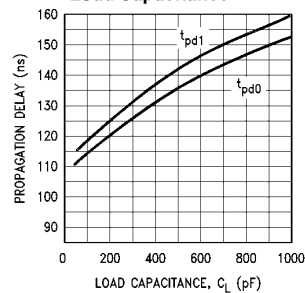
**MM78C29/MM88C29
Typical Propagation Delay vs
Load Capacitance**



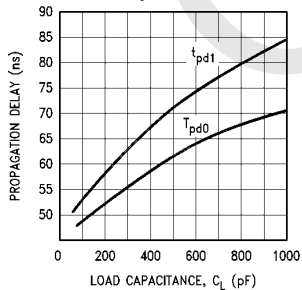
**MM78C29/MM88C29
Typical Propagation Delay vs
Load Capacitance**



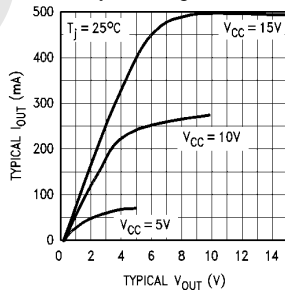
**MM78C30/MM88C30
Typical Propagation Delay vs
Load Capacitance**



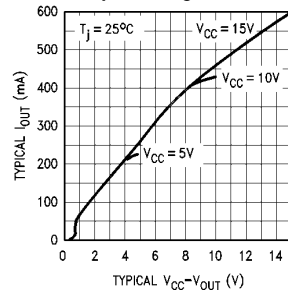
**MM78C30/MM88C30
Typical Propagation Delay vs
Load Capacitance**



**Typical Sink Current vs
Output Voltage**

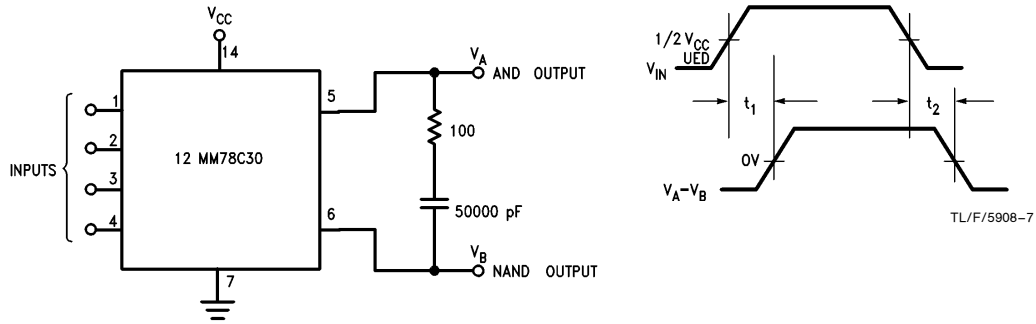


**Typical Source Current vs
Output Voltage**

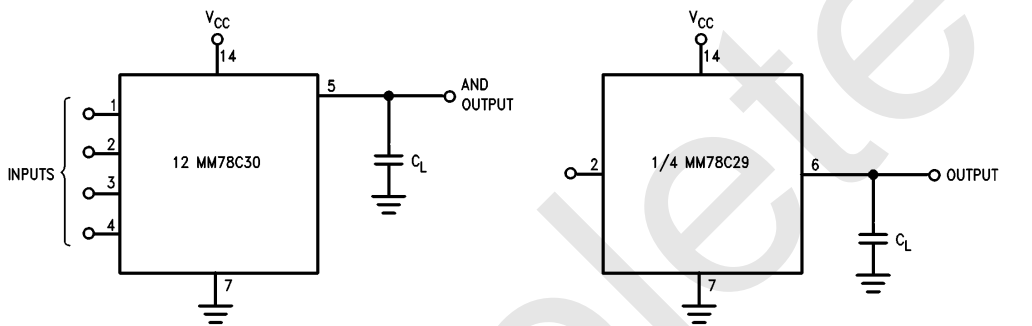


TL/F/5908-5

AC Test Circuits



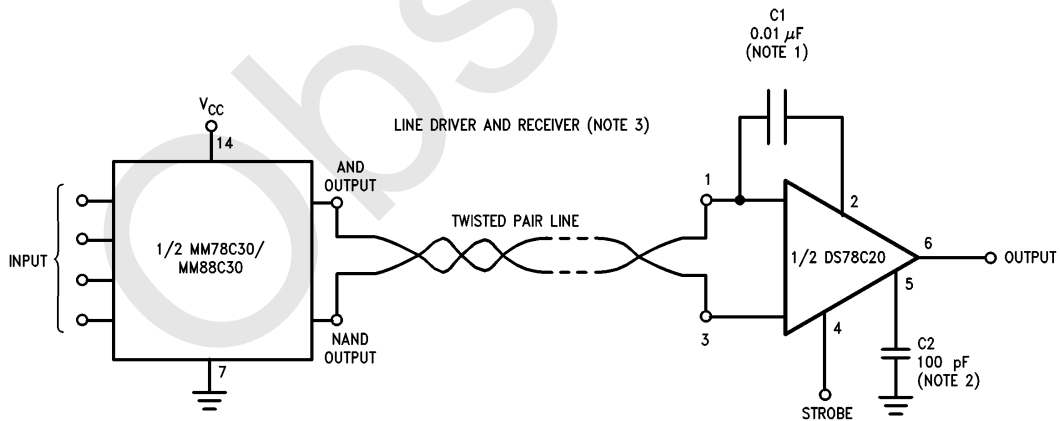
TL/F/5908-6
FIGURE 1



TL/F/5908-8
FIGURE 2

Typical Applications

Digital Data Transmission

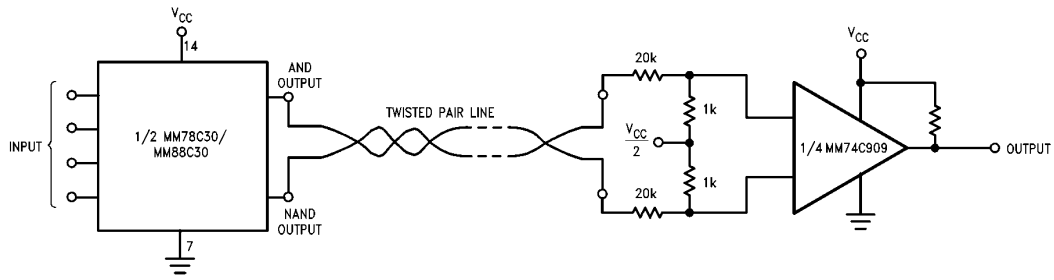


Note 1: Exact value depends on line length.

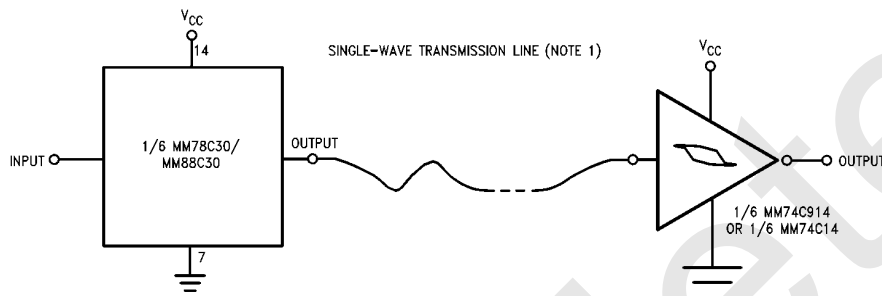
Note 2: Optional to control response time.

Note 3: $V_{CC} = 4.5V$ to $5.5V$ for the DS7820, $V_{CC} = 4.5V$ to $15V$ for the DS78C20.

Typical Applications (Continued)



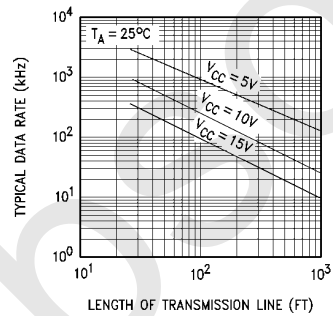
TL/F/5908-11



Note 1: V_{CC} is 3V to 15V

TL/F/5908-12

Typical Data Rate vs Transmission Line Length

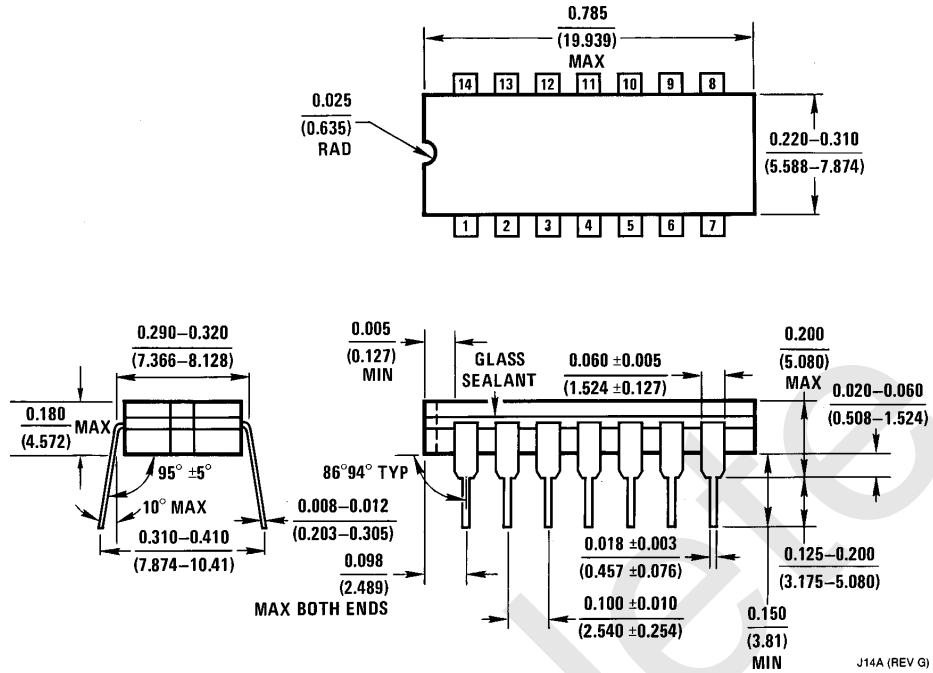


TL/F/5908-13

Note 1: The transmission line used was #22 gauge unshielded twisted pair (40k termination).

Note 2: The curves generated assume that both drivers are driving equal lines, and that the maximum power is 500 mW/package.

Physical Dimensions inches (millimeters)

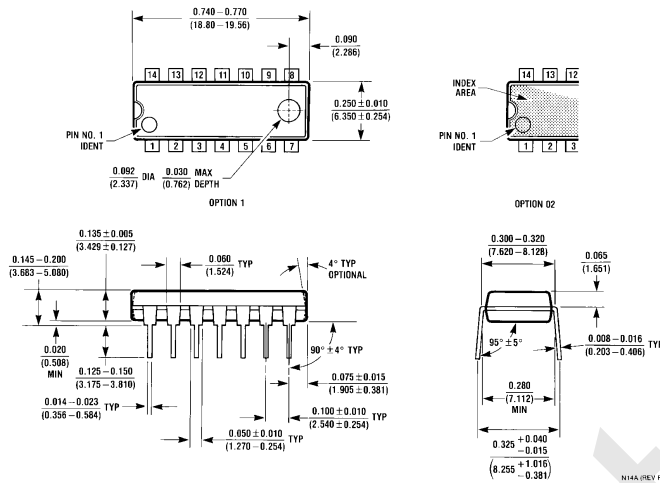


Ceramic Dual-In-Line Package (J)
Order Number MM78C29J, MM78C30J, MM88C29J or MM88C30J
NS Package Number J14A

J14A (REV G)

**MM78C29/MM88C29 Quad Single-Ended Line Driver
MM78C30/MM88C30 Dual Differential Line Driver**

Physical Dimensions inches (millimeters) (Continued)




Molded Dual-In-Line Package (N)
Order Number MM78C29N, MM78C30N, MM88C29N or MM88C30N
NS Package Number N14A

LIFE SUPPORT POLICY

NATIONAL'S PRODUCTS ARE NOT AUTHORIZED FOR USE AS CRITICAL COMPONENTS IN LIFE SUPPORT DEVICES OR SYSTEMS WITHOUT THE EXPRESS WRITTEN APPROVAL OF THE PRESIDENT OF NATIONAL SEMICONDUCTOR CORPORATION. As used herein:

1. Life support devices or systems are devices or systems which, (a) are intended for surgical implant into the body, or (b) support or sustain life, and whose failure to perform, when properly used in accordance with instructions for use provided in the labeling, can be reasonably expected to result in a significant injury to the user.
2. A critical component is any component of a life support device or system whose failure to perform can be reasonably expected to cause the failure of the life support device or system, or to affect its safety or effectiveness.

 <p>National Semiconductor Corporation 1111 West Bardin Road Arlington, TX 76017 Tel: 1(800) 272-9959 Fax: 1(800) 737-7018 http://www.national.com</p>	<p>National Semiconductor Europe Fax: +49 (0) 180-530 85 86 Email: europe.support@nsc.com Deutsch Tel: +49 (0) 180-530 85 85 English Tel: +49 (0) 180-532 78 32 Français Tel: +49 (0) 180-532 93 58 Italiano Tel: +49 (0) 180-534 16 80</p>	<p>National Semiconductor Hong Kong Ltd. 19th Floor, Straight Block, Ocean Centre, 5 Canton Rd. Tsimshatsui, Kowloon Hong Kong Tel: (852) 2737-1600 Fax: (852) 2736-9960</p>	<p>National Semiconductor Japan Ltd. Tel: 81-043-299-2308 Fax: 81-043-299-2408</p>
---	--	---	---

National does not assume any responsibility for use of any circuitry described, no circuit patent licenses are implied and National reserves the right at any time without notice to change said circuitry and specifications.

IMPORTANT NOTICE

Texas Instruments Incorporated and its subsidiaries (TI) reserve the right to make corrections, modifications, enhancements, improvements, and other changes to its products and services at any time and to discontinue any product or service without notice. Customers should obtain the latest relevant information before placing orders and should verify that such information is current and complete. All products are sold subject to TI's terms and conditions of sale supplied at the time of order acknowledgment.

TI warrants performance of its hardware products to the specifications applicable at the time of sale in accordance with TI's standard warranty. Testing and other quality control techniques are used to the extent TI deems necessary to support this warranty. Except where mandated by government requirements, testing of all parameters of each product is not necessarily performed.

TI assumes no liability for applications assistance or customer product design. Customers are responsible for their products and applications using TI components. To minimize the risks associated with customer products and applications, customers should provide adequate design and operating safeguards.

TI does not warrant or represent that any license, either express or implied, is granted under any TI patent right, copyright, mask work right, or other TI intellectual property right relating to any combination, machine, or process in which TI products or services are used. Information published by TI regarding third-party products or services does not constitute a license from TI to use such products or services or a warranty or endorsement thereof. Use of such information may require a license from a third party under the patents or other intellectual property of the third party, or a license from TI under the patents or other intellectual property of TI.

Reproduction of TI information in TI data books or data sheets is permissible only if reproduction is without alteration and is accompanied by all associated warranties, conditions, limitations, and notices. Reproduction of this information with alteration is an unfair and deceptive business practice. TI is not responsible or liable for such altered documentation. Information of third parties may be subject to additional restrictions.

Resale of TI products or services with statements different from or beyond the parameters stated by TI for that product or service voids all express and any implied warranties for the associated TI product or service and is an unfair and deceptive business practice. TI is not responsible or liable for any such statements.

TI products are not authorized for use in safety-critical applications (such as life support) where a failure of the TI product would reasonably be expected to cause severe personal injury or death, unless officers of the parties have executed an agreement specifically governing such use. Buyers represent that they have all necessary expertise in the safety and regulatory ramifications of their applications, and acknowledge and agree that they are solely responsible for all legal, regulatory and safety-related requirements concerning their products and any use of TI products in such safety-critical applications, notwithstanding any applications-related information or support that may be provided by TI. Further, Buyers must fully indemnify TI and its representatives against any damages arising out of the use of TI products in such safety-critical applications.

TI products are neither designed nor intended for use in military/aerospace applications or environments unless the TI products are specifically designated by TI as military-grade or "enhanced plastic." Only products designated by TI as military-grade meet military specifications. Buyers acknowledge and agree that any such use of TI products which TI has not designated as military-grade is solely at the Buyer's risk, and that they are solely responsible for compliance with all legal and regulatory requirements in connection with such use.

TI products are neither designed nor intended for use in automotive applications or environments unless the specific TI products are designated by TI as compliant with ISO/TS 16949 requirements. Buyers acknowledge and agree that, if they use any non-designated products in automotive applications, TI will not be responsible for any failure to meet such requirements.

Following are URLs where you can obtain information on other Texas Instruments products and application solutions:

Products

Audio	www.ti.com/audio
Amplifiers	amplifier.ti.com
Data Converters	dataconverter.ti.com
DLP® Products	www.dlp.com
DSP	dsp.ti.com
Clocks and Timers	www.ti.com/clocks
Interface	interface.ti.com
Logic	logic.ti.com
Power Mgmt	power.ti.com
Microcontrollers	microcontroller.ti.com
RFID	www.ti-rfid.com
OMAP Mobile Processors	www.ti.com/omap
Wireless Connectivity	www.ti.com/wirelessconnectivity

Applications

Communications and Telecom	www.ti.com/communications
Computers and Peripherals	www.ti.com/computers
Consumer Electronics	www.ti.com/consumer-apps
Energy and Lighting	www.ti.com/energy
Industrial	www.ti.com/industrial
Medical	www.ti.com/medical
Security	www.ti.com/security
Space, Avionics and Defense	www.ti.com/space-avionics-defense
Transportation and Automotive	www.ti.com/automotive
Video and Imaging	www.ti.com/video

TI E2E Community Home Page

e2e.ti.com

Mailing Address: Texas Instruments, Post Office Box 655303, Dallas, Texas 75265
Copyright © 2011, Texas Instruments Incorporated