

OKI semiconductor

MSC6458VS

MSC6458 PIGGY BACK

GENERAL DESCRIPTION

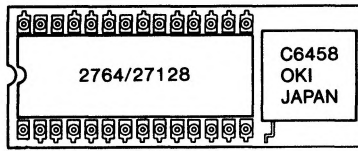
The MSC6458VS is a device whose built-in ROM is replaced by external EPROM using the piggyback method.

FEATURES

- Supply Voltage: $5V \pm 5\%$
- Frequency: DC ~ 4.3MHz
- Operating Temperature: 0 ~ 70°C

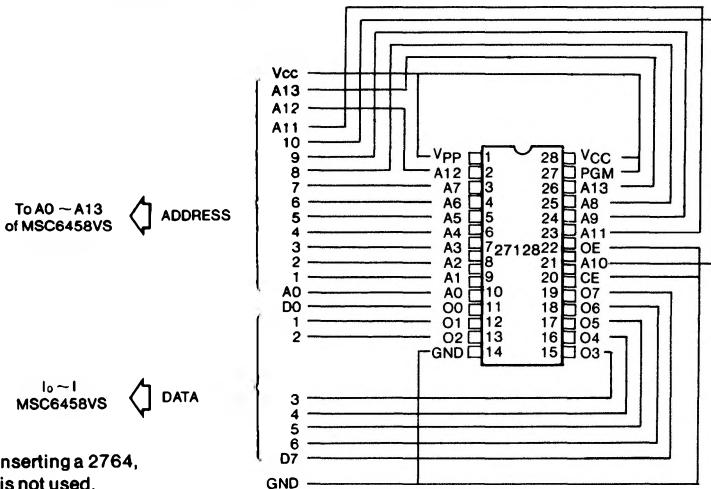
ROM INSERTION

Please refer to drawing below.



PIN CONFIGURATION

Pin Connection between MSC6458 VS and EPROM



Note: When inserting a 2764, pin 26 is not used.