

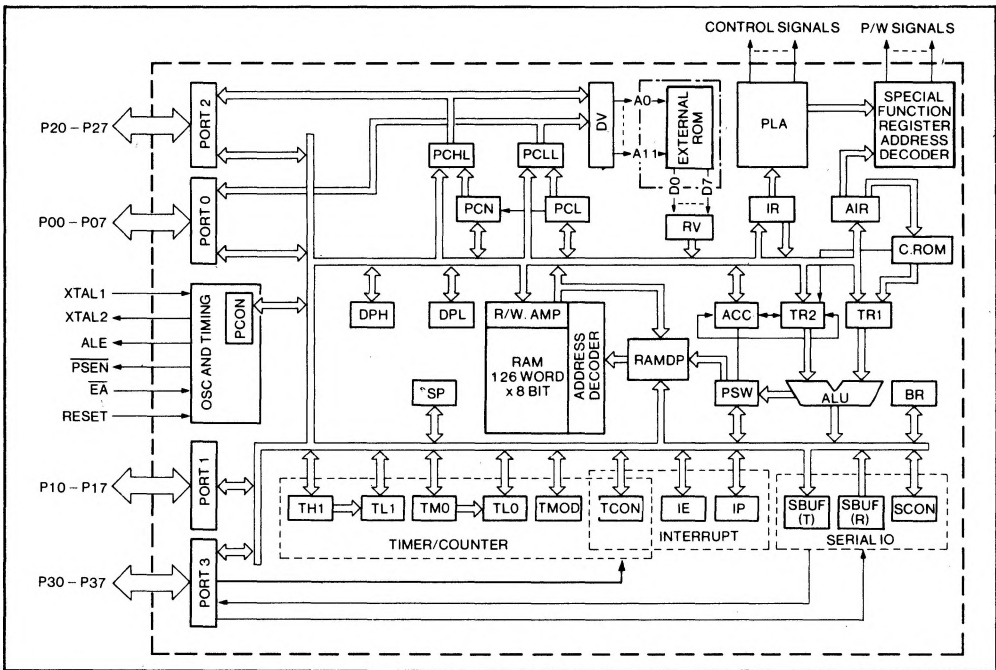
MSM80C51FVS

M80C51 PIGGY BACK

GENERAL DESCRIPTION

The MSM80C51FVS is a device whose built-in ROM is replaced by external EPROM using the piggy-back method. External EPROM capacity is up to 4K bytes. It can be used for evaluation of programs for MSM80C51F.

FUNCTIONAL BLOCK DIAGRAM



INSTALLATION METHOD FOR EXTERNAL ROM

Recommended EPROMS - 2764, 2732

