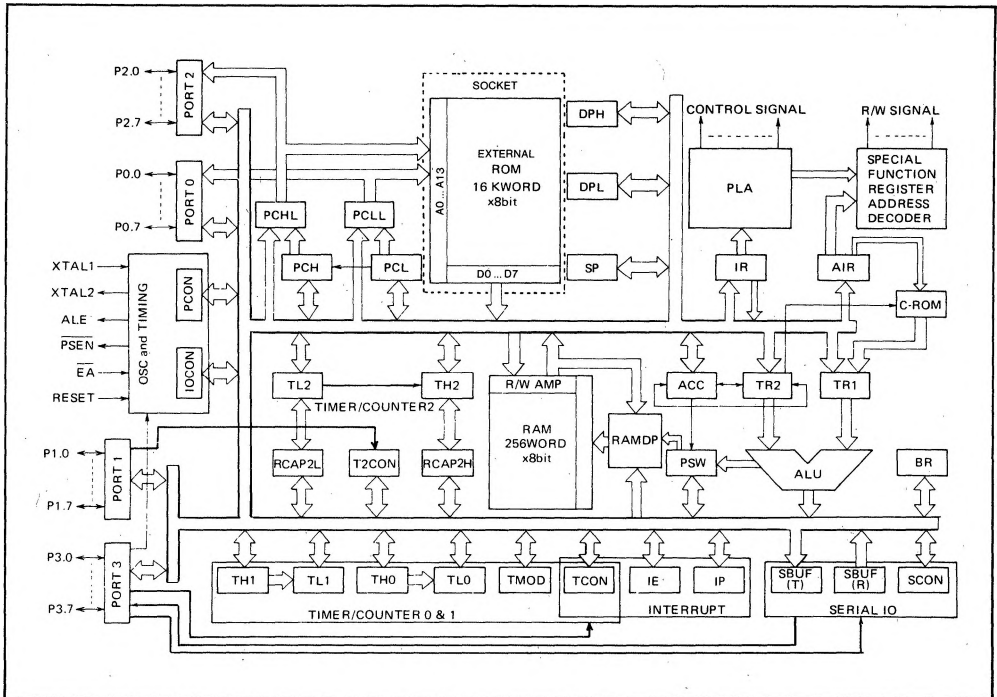


MSM85C154VS

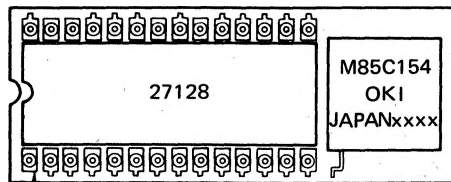
M83C154 PIGGY BACK

GENERAL DESCRIPTION

The MSM85C154 is a device whose built-in ROM is replaced by external EPROM using the piggy-back method. External EPROM capacity is up to 16K bytes. It can be used for evaluation of programs for MSM83C154.



INSTALLATION METHOD FOR EXTERNAL ROM



* The MSM85C154VS pin layout of bottom side is the same as the pin layout for MSM83C154-XXRS.