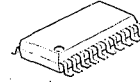


NARROW BAND FM IF IC

■ GENERAL DESCRIPTION

The NJM2292 is a narrow band FM IF IC designed for use in cordless telephones and amateur radios, etc...It contains almost all blocks of the narrow band FM IF system—a mixer, an IF amplifier, an RSSI and a Quadrature detector, for example. It features low supply current to make a sharp reduction of total power consumption possible.

■ PACKAGE OUTLINE



NJM2292V

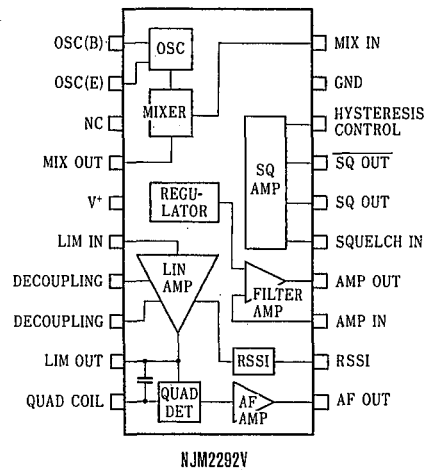
■ FEATURES

- Low Operating Voltage (1.8~7.0V)
- Low Operating Current (20mA typ. @V<sup>+</sup>=2.4V)
- Maximum input frequency (100MHz)
- A ceramic discriminator is available
- Package Outline SSOP20
- Bipolar Technology

■ APPLICATIONS

- Amateur radios
- Cordless telephones, etc.

■ PIN CONFIGURATION



NJM2292V

■ MAXIMUM ABSOLUTE RATINGS

(Ta=25°C)

PARAMETER	SYMBOL	RATINGS	UNIT
Supply Voltage	V <sup>+</sup>	10	V
Power Dissipation	P <sub>d</sub>	300	mW
Operating Temperature Range	T <sub>opr</sub>	-30~+85	°C
Storage Temperature Range	T <sub>stg</sub>	-40~+125	°C

# NJM2292

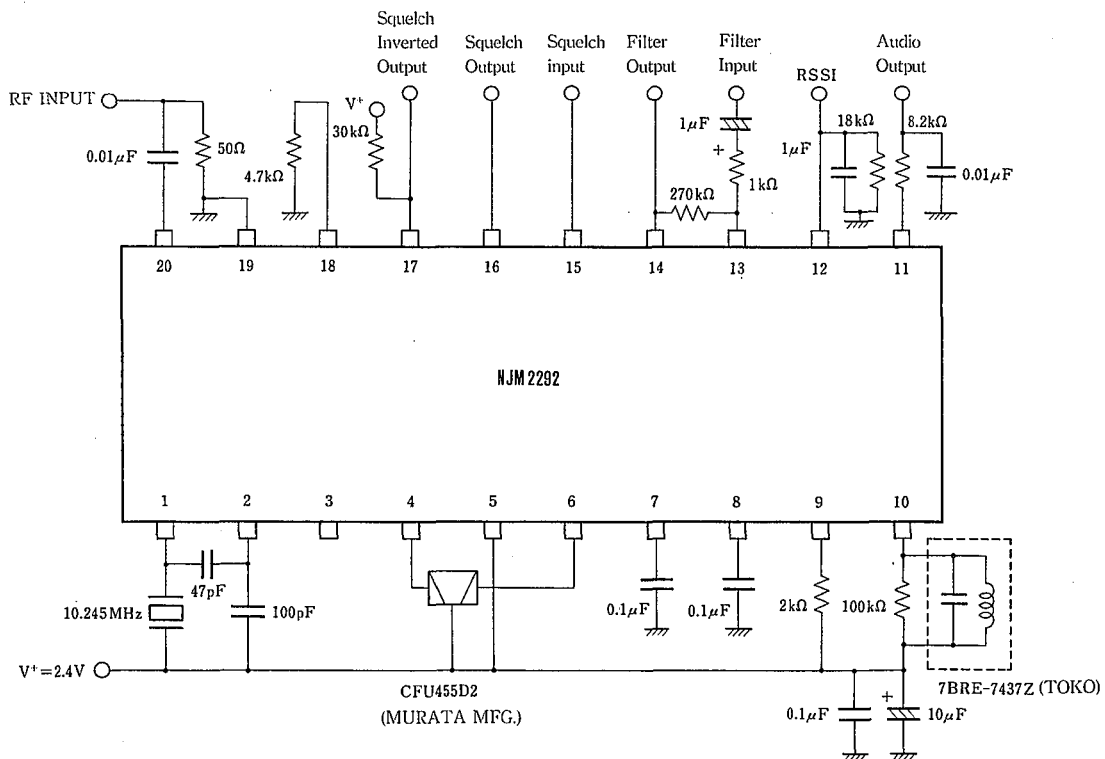
## ELECTRICAL CHARACTERISTICS

( $V^+=2.4V$ ,  $f_c=21.7MHz$ ,  $f_{mod}=1kHz$ ,  $1mV$ ,  $f_{dev}=\pm 3kHz$ ,  $T_a=25^\circ C$ )

PARAMETER	SYMBOL	TEST CONDITION	MIN.	TYP.	MAX.	UNIT
Operating Current	I <sub>cc</sub>	No signal, Squelch off		2.0	2.7	mA
Mixer						
Gain	G <sub>MIX</sub>		20	25		dB
Input resistance	R <sub>MIX</sub>		2.7	3.6	4.5	k $\Omega$
Limiting sensitivity	LIMIT	-3dB limiting		3.0		$\mu V_{rms}$
Audio output voltage	V <sub>OUT</sub>		50	70		mV <sub>rms</sub>
Filter amplifier gain	A <sub>f</sub>	V <sub>i</sub> = 1mV <sub>rms</sub> , 1kHz	45	48		dB
Filter amplifier output voltage	V <sub>ref</sub>		0.75	0.9	1.05	V
RSSI maximum output voltage	V <sub>RMAX</sub>	R <sub>rs</sub> = 18k $\Omega$ , I <sub>F<sub>in</sub></sub> = 100mV <sub>rms</sub>	0.65	0.9	1.2	V
RSSI minimum output voltage	V <sub>RMIN</sub>	R <sub>rs</sub> = 18k $\Omega$ , NO signal			0.5	V
Squelch Hysteresis	Hys	R <sub>hys</sub> = 4.7k $\Omega$	30	80	105	mV
Squelch output voltage High level	S <sub>PHI</sub>		1.0	1.4	1.8	V
Low level	S <sub>PL0</sub>				0.2	V
Squelch inverted output voltage High level	S <sub>NHI</sub>	30k $\Omega$ pull up	2.2			V
Low level	S <sub>NLO</sub>	30k $\Omega$ pull up			0.2	V

## 4

## TEST CIRCUIT



■ **TERMINAL FUNCTION** ( $V^+=2.4V$ )

PIN NO.	SYMBOL	PIN VOL TAGE (typ.)	FUNCTION	EQUIVARENT CIRCUIT
1	OSC IN	2.4V	These terminals are connected with a crystal resonator to construct a colpitts circuit.	
2	OSC OUT	1.7V		
3	NC		No connection.	
4	MIX OUT	1.47V	Amixer output.	
5	V+	2.4V	Supply voltage.	
6	LIM IN	1.59V	A limiter input and decoupling terminals. The 7 and 8 pins are connected with about 100µF capacitors. (ESD protection diodes are connected internally with each terminal.)	
7	DEC1	1.59V		
8	DEC2	1.59V		
9	LIM OUT	-	A limiter output	

4

# NJM2292

## ■ TERMINAL FUNCTION (V<sup>+</sup>=2.4V)

PIN NO.	SYMBOL	PIN VOLTAGE (typ.)	FUNCTION	EQUIVALENT CIRCUIT
10	QUAD COIL	—	A quadrature detector input.	
11	AF OUT	1.18V	The output of the FM demodulated signal.	
12	RSSI	—	An RSSI output. The output current signal is in logarithmic proportion to the input signal.	
13	AMP IN	—	An operational amplifier inverted input.	

4

■ TERMINAL FUNCTION (V<sup>+</sup>=2.4V)

PIN NO.	SYMBOL	PIN VOLTAGE (typ.)	FUNCTION	EQUIVALENT CIRCUIT
14	AMP OUT	—	An operational amplifier output.	
15	SQ IN	—	A squelch amplifier input. (ESD protection diodes are connected internally with this terminal.)	
16	SQ OUT	—	A squelch amplifier input. (ESD protection diodes are connected internally with this terminal.)	
17	$\overline{\text{SQ}} \text{ OUT}$	—	A squelch amplifier inverted output. (ESD protection diodes are connected internally with this terminal.)	

4

# NJM2292

## ■ TERMINAL FUNCTION (V<sup>+</sup>=2.4V)

PIN NO.	SYMBOL	PIN VOLTAGE (typ.)	FUNCTION	EQUIVALENT CIRCUIT
18	HYSTERESIS CONTROL	—	A hysteresis control terminal. (ESD protection diodes are connected internally with this terminal.)	
19	GND	0V	Ground.	
20	MIX IN	2.4V	A mixer input.	

4

# NJM2292

---

## MEMO

**[CAUTION]**

The specifications on this databook are only given for information, without any guarantee as regards either mistakes or omissions. The application circuits in this databook are described only to show representative usages of the product and not intended for the guarantee or permission of any right including the industrial rights.