

DATA SHEET

**PCF84C21A; PCF84C41A;
PCF84C81A**

Telecom microcontrollers

Product specification
Supersedes data of 1995 Jul 14
File under Integrated Circuits, IC14

1996 Nov 20

Telecom microcontrollers**PCF84C21A; PCF84C41A;
PCF84C81A****CONTENTS**

1	FEATURES
2	GENERAL DESCRIPTION
3	ORDERING INFORMATION
4	BLOCK DIAGRAM
5	PINNING INFORMATION
5.1	Pinning
5.2	Pin description
6	INSTRUCTION SET
7	HIGH SINK OUTPUT CURRENTS
8	ROM MASK OPTIONS
9	HANDLING
10	LIMITING VALUES
11	DC CHARACTERISTICS
12	AC CHARACTERISTICS
13	PACKAGE OUTLINES
14	SOLDERING
14.1	Introduction
14.2	DIP
14.2.1	Soldering by dipping or by wave
14.2.2	Repairing soldered joints
14.3	SO
14.3.1	Reflow soldering
14.3.2	Wave soldering
14.3.3	Repairing soldered joints
15	DEFINITIONS
16	LIFE SUPPORT APPLICATIONS
17	PURCHASE OF PHILIPS I ² C COMPONENTS



Telecom microcontrollers

PCF84C21A; PCF84C41A;
PCF84C81A**1 FEATURES**

- Manufactured in silicon gate CMOS process
- 8-bit CPU, ROM, RAM, I/O in a 28-lead package
- 2 kbyte ROM, 64 byte RAM (PCF84C21A)
- 4 kbyte ROM, 128 byte RAM (PCF84C41A)
- 8 kbyte ROM, 256 byte RAM (PCF84C81A)
- I²C-bus interface with multi-master capability
- Over 100 instructions (based on MAB8048) all of 1 or 2 cycles
- 20 quasi-bidirectional I/O Port lines
- High sink current capability on the 8 lines of Port 1
- 8-bit programmable timer/event counter 1
- 3 single-level vectored interrupts:
 - external
 - 8-bit programmable timer/event counter 1
 - I²C-bus
- Two test inputs, one of which also serves as the external interrupt input
- Stop and Idle modes
- Supply voltage: 2.5 to 5.5 V
- Clock frequency: 1 to 16 MHz
- Operating temperature: –40 to +85 °C.

2 GENERAL DESCRIPTION

This data sheet details the specific properties of the PCF84C21A, PCF84C41A and PCF84C81A. The shared properties of the PCF84CxxxA family of microcontrollers are described in the “PCF84CxxxA family” data sheet which should be read in conjunction with this publication.

The PCF84C21A, PCF84C41A and PCF84C81A are general purpose CMOS microcontrollers with 2 kbytes, 4 kbytes and 8 kbytes of program memory and 64, 128 and 256 bytes of RAM, respectively. In addition to 20 I/O port lines, the microcontrollers provide an on-chip I²C-bus interface. This two-line serial bus extends the microcontroller capabilities when implemented with the powerful I²C-bus peripherals. These include LCD drivers, I/O expanders, telecom circuits, ADC and DAC converters, clock/calendar circuits, EEPROM and RAM and are listed in “Data Handbook IC12, I²C Peripherals”.

The instruction set is based on that of the MAB8048 and is a sub-set of that listed in the “PCF84CxxxA family” data sheet.

3 ORDERING INFORMATION (see note 1)

TYPE NUMBER	PACKAGE		
	NAME	DESCRIPTION	VERSION
PCF84C21AP	DIP28	plastic dual in-line package; 28 leads (600 mil)	SOT117-1
PCF84C41AP			
PCF84C81AP			
PCF84C21AT	SO28	plastic small outline package; 28 leads; body width 7.5 mm	SOT136-1
PCF84C41AT			
PCF84C81AT			

Note

1. Please refer to the Order Entry Form (OEF) for these devices for the full type number to use when ordering. This type number will also specify the required program and the ROM mask options.

Telecom microcontrollers

PCF84C21A; PCF84C41A;
PCF84C81A

4 BLOCK DIAGRAM

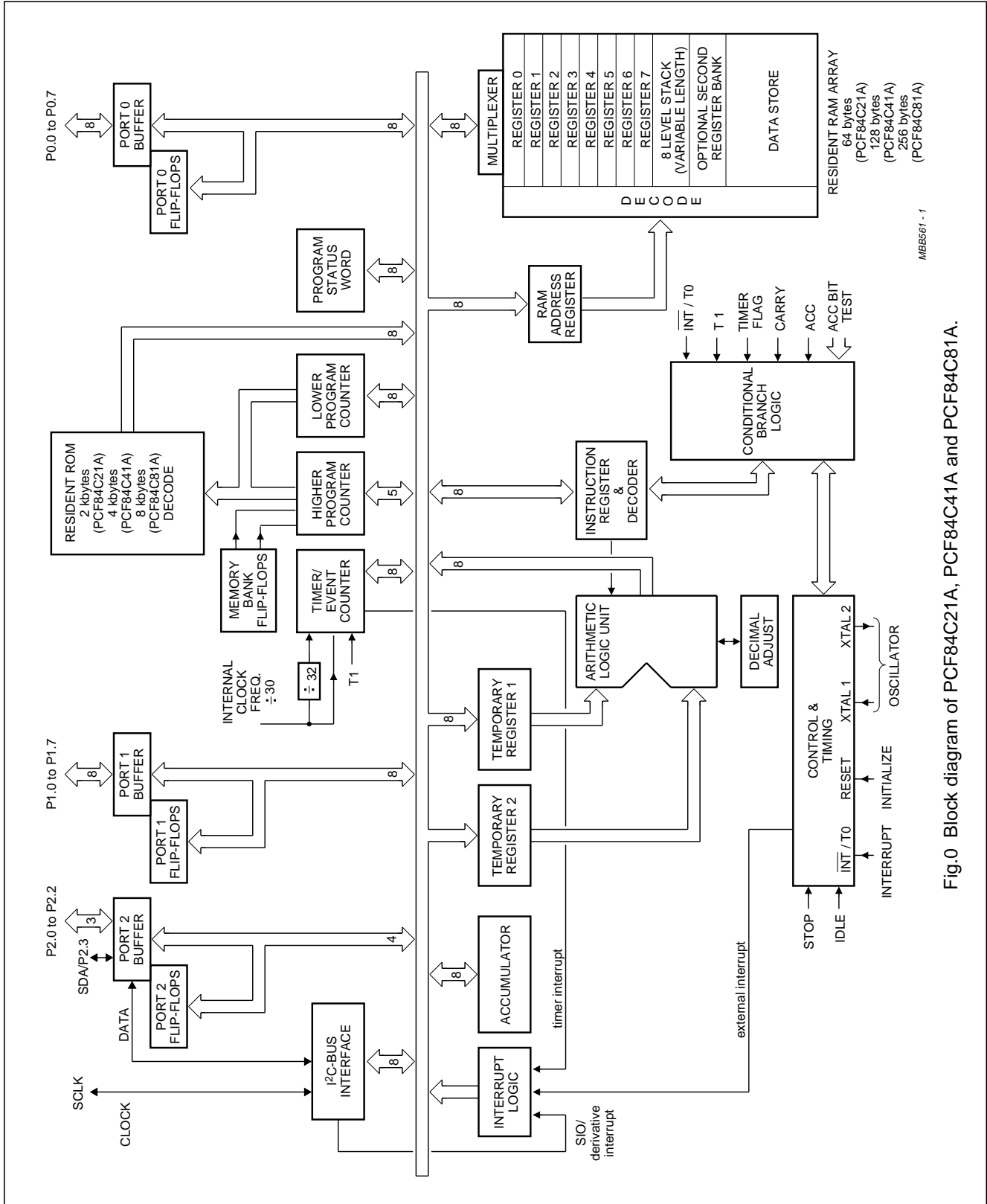


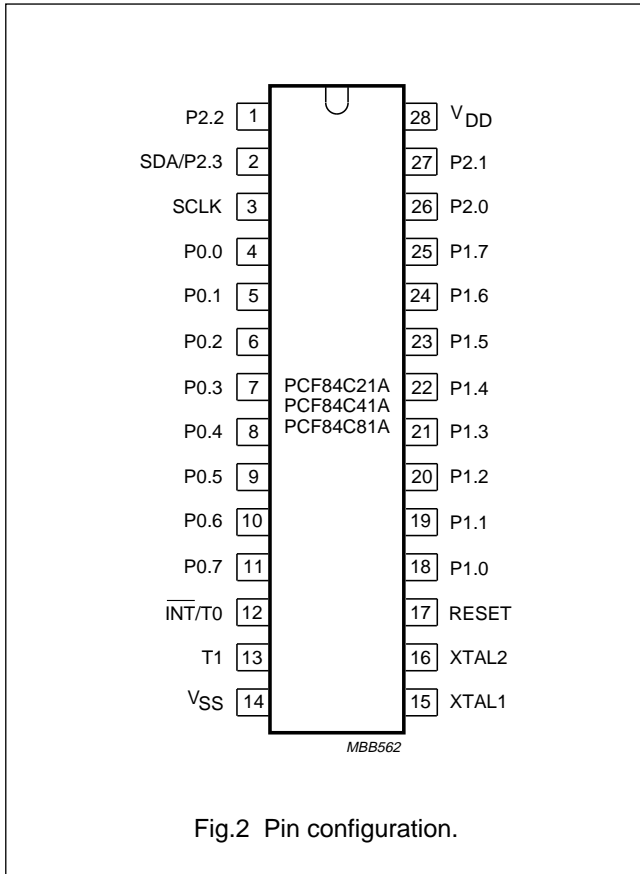
Fig.0 Block diagram of PCF84C21A, PCF84C41A and PCF84C81A.

Telecom microcontrollers

PCF84C21A; PCF84C41A;
PCF84C81A

5 PINNING INFORMATION

5.1 Pinning



5.2 Pin description

Table 1 DIP28 and SO28 packages

SYMBOL	PIN	FUNCTION
P2.2	1	1 bit of Port 2: 4-bit quasi-bidirectional I/O port
SDA/P2.3	2	bidirectional data line of the I ² C-bus interface, or 1 bit of Port 2: 4-bit quasi-bidirectional I/O port
SCLK	3	bidirectional clock line of the I ² C-bus interface
P0.0 to P0.7	4 to 11	8 bits of Port 0: 8-bit quasi-bidirectional I/O port
INT/T0	12	Interrupt/Test 0
T1	13	Test 1/count input of 8-bit timer/event counter 1
V _{SS}	14	ground
XTAL1	15	crystal oscillator input or external clock input
XTAL2	16	crystal oscillator output
RESET	17	Reset input
P1.0 to P1.7	18 to 25	8 bits of Port 1: 8-bit quasi-bidirectional I/O port
P2.0 to P2.1	26 to 27	2 bits of Port 2: 4-bit quasi-bidirectional I/O port
V _{DD}	28	positive supply

6 INSTRUCTION SET

ROM is restricted to 2 kbytes for the PCF84C21A and 4 kbytes for the PCF84C41A. Therefore, the instructions SEL MB1/2/3 for the PCF84C21A, and the instructions SEL MB2/3 for the PCF84C41A should be avoided, as they would define non-existing program memory banks.

As RAM is limited to 64 bytes for the PCF84C21A and to 128 bytes for the PCF84C41A, care should be taken to avoid accesses to non-existing RAM locations.

See the “PCF84CxxxA family” data sheet for a complete description of the instruction set.

7 HIGH SINK OUTPUT CURRENTS

The Port 1 outputs of these devices are designed for high current drive in the logic 0 state. They are capable of driving 10 mA loads and higher. Applications include drive for small relays and light-emitting diodes (LEDs).

To avoid overload, care should be taken that the total Port 1 current averages less than 80 mA, i.e. an average of 10 mA per Port 1 line. Refer to Chapter “Limiting values” which specifies an upper limit of 100 mA for I_{SS}.

Telecom microcontrollers

PCF84C21A; PCF84C41A;
PCF84C81A

8 ROM MASK OPTIONS

ROM CODE	OPTION		
Program/data	Any mix of instructions and data up to ROM size of 2 kbytes for the PCF84C21A, 4 kbytes for the PCF84C41A and 8 kbytes for the PCF84C81A.		
Port Output			
P0.0 to P0.7	standard	open-drain	push-pull
P1.0 to P1.7	standard	open-drain	push-pull
P2.0 to P2.2	standard	open-drain	push-pull
SDA/P2.3	–	open-drain	–
Port State after reset			
P0.0 to P0.7	set	reset	–
P1.0 to P1.7	set	reset	–
P2.0 to P2.2	set	reset	–
SDA/P2.3	set	–	–
Oscillator			
Transconductance	LOW (g _{mL})	MEDIUM (g _{mM})	HIGH (g _{mH})

9 HANDLING

Inputs and outputs are protected against electrostatic discharge in normal handling. However, it is good practice to take normal precautions appropriate to handling MOS devices. See *"Data Handbook IC14, Section: Handling MOS devices"*.

10 LIMITING VALUES

In accordance with the Absolute Maximum Rating System (IEC 134).

SYMBOL	PARAMETER	MIN.	MAX.	UNIT
V _{DD}	supply voltage	–0.5	+7	V
V _I	all input voltages	–0.5	V _{DD} + 0.5	V
I _I	DC input current	–10	+10	mA
I _O	DC output current except Port 1 output LOW	–10	+10	mA
I _O	DC output current, Port 1 output LOW	–10	+20	mA
P _{tot}	total power dissipation	–	125	mW
P _O	power dissipation per output	–	30	mW
I _{DD}	supply current	–50	+50	mA
I _{SS}	ground supply current	–100	+50	mA
T _{stg}	storage temperature range	–55	+150	°C
T _j	operating junction temperature	–	90	°C

Telecom microcontrollers

PCF84C21A; PCF84C41A;
PCF84C81A**11 DC CHARACTERISTICS**

$V_{DD} = 2.5$ to 5.5 V; $V_{SS} = 0$ V; $T_{amb} = -40$ to $+85$ °C; all voltages with respect to V_{SS} ; unless otherwise specified.

SYMBOL	PARAMETER	CONDITIONS	MIN.	TYP.	MAX.	UNIT
V_{DD}	operating supply voltage	see Fig.3	2.5	–	5.5	V
I_{DD}	operating supply current	note 1; see Figs 4 and 5 $V_{DD} = 3$ V; $f_{xtal} = 3.58$ MHz (g_{mL}) $V_{DD} = 5$ V; $f_{xtal} = 10$ MHz (g_{mL}) $V_{DD} = 5$ V; $f_{xtal} = 16$ MHz (g_{mM}) $V_{DD} = 5$ V; $f_{xtal} = 16$ MHz (g_{mH})	– – – –	0.3 1.1 1.7 2.5	0.6 3.0 5.0 6.0	mA mA mA mA
$I_{DD(idle)}$	supply current (Idle mode)	note 1; see Figs 6 and 7 $V_{DD} = 3$ V; $f_{xtal} = 3.58$ MHz (g_{mL}) $V_{DD} = 5$ V; $f_{xtal} = 10$ MHz (g_{mL}) $V_{DD} = 5$ V; $f_{xtal} = 16$ MHz (g_{mM}) $V_{DD} = 5$ V; $f_{xtal} = 16$ MHz (g_{mH})	– – – –	0.2 0.8 1.2 1.7	0.4 1.6 4.0 5.0	mA mA mA mA
$I_{DD(stp)}$	supply current (Stop mode)	$V_{DD} = 2.5$ V; notes 1 and 2; see Fig.8	–	1.2	10	µA
Inputs						
V_{IL}	LOW level input voltage		0	–	$0.3V_{DD}$	V
V_{IH}	HIGH level input voltage		$0.7V_{DD}$	–	V_{DD}	V
I_{LI}	input leakage	$V_{SS} \leq V_I \leq V_{DD}$	–1	–	+1	µA
Outputs						
I_{OL}	LOW level output sink current [except Port 1; SDA/P2.3 and SCLK]	$V_{DD} = 5$ V; $V_O = 0.4$ V; see Fig.9 PCF84C21A; PCF84C41A PCF84C81A	1.6 1.6	12 5	– –	mA mA
I_{OL1}	LOW level output sink current; Port 1	$V_{DD} = 5$ V; $V_O = 1.2$ V; see Fig.10 PCF84C21A; PCF84C41A PCF84C81A	10 10	30 19	– –	mA mA
I_{OL2}	LOW level output sink current; SDA/P2.3 and SCLK	$V_{DD} = 5$ V; $V_O = 0.4$ V; see Fig.11 PCF84C21A; PCF84C41A PCF84C81A	3 3	12 6.5	– –	mA mA
I_{OH}	HIGH level pull-up output source current	$V_{DD} = 5$ V; $V_O = 3.5$ V; see Fig.12 $V_{DD} = 5$ V; $V_O = 0$ V; see Fig.12	40 –	100 –140	– –400	µA µA
I_{OH1}	HIGH level push-pull output source current	$V_{DD} = 5$ V; $V_O = 4.6$ V; see Fig.13	–1.6	–7	–	mA
Oscillator (see Fig.14)						
g_{mL}	LOW transconductance	$V_{DD} = 5$ V	0.2	0.4	1.0	mS
g_{mM}	MEDIUM transconductance	$V_{DD} = 5$ V	0.9	1.6	3.2	mS
g_{mH}	HIGH transconductance	$V_{DD} = 5$ V	3.0	4.5	9.0	mS
R_F	feedback resistor		0.3	1.0	3.0	MΩ

Notes

- $V_{IL} = V_{SS}$; $V_{IH} = V_{DD}$; open drain outputs connected to V_{SS} ; all other outputs, including XTAL2, open (typical values at 25 °C with crystal connected between XTAL1 and XTAL2).
- $V_{IL} = V_{SS}$; $V_{IH} = V_{DD}$; RESET and T1 at V_{SS} ; $\overline{INT}/T0$ at V_{DD} ; crystal connected between XTAL1 and XTAL2; open drain outputs connected to V_{SS} ; all other outputs open.

Telecom microcontrollers

PCF84C21A; PCF84C41A;
PCF84C81A

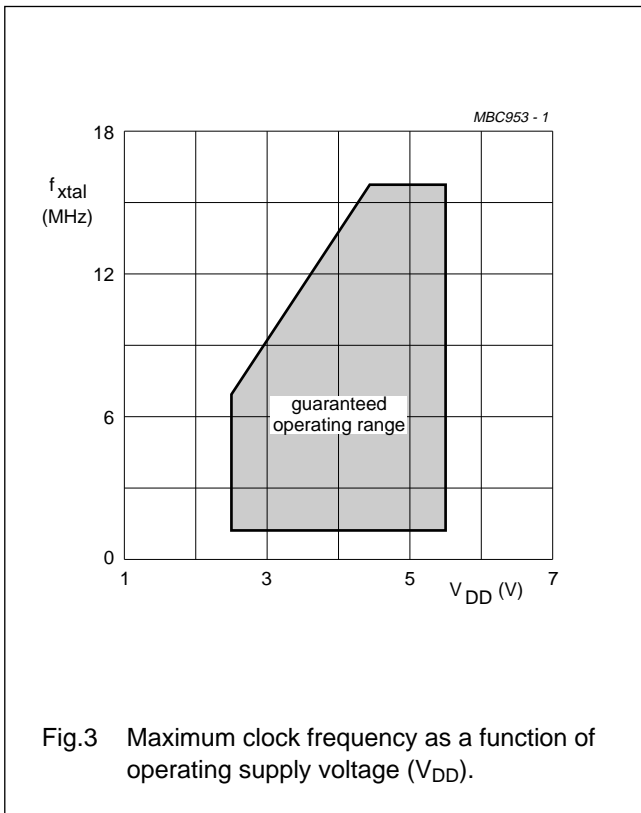
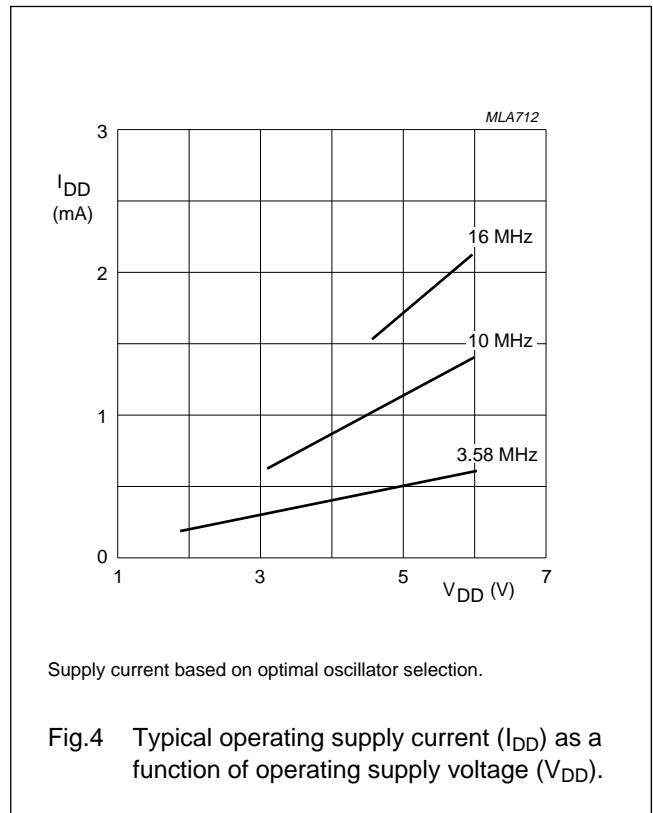
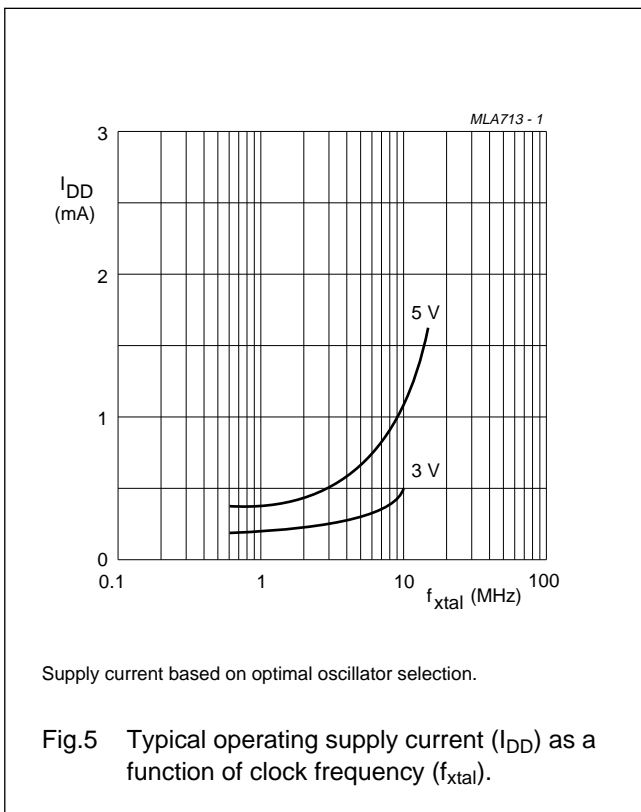


Fig.3 Maximum clock frequency as a function of operating supply voltage (V_{DD}).



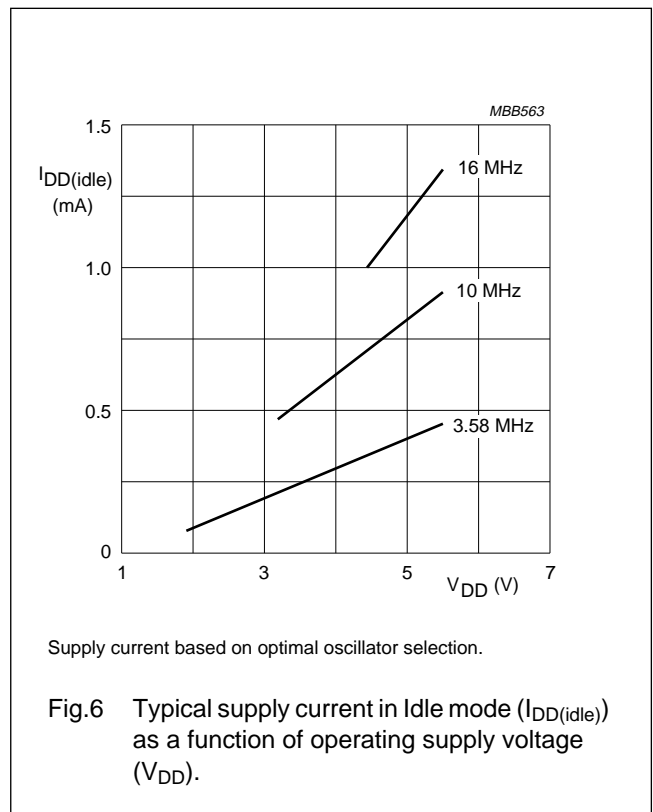
Supply current based on optimal oscillator selection.

Fig.4 Typical operating supply current (I_{DD}) as a function of operating supply voltage (V_{DD}).



Supply current based on optimal oscillator selection.

Fig.5 Typical operating supply current (I_{DD}) as a function of clock frequency (f_{xtal}).

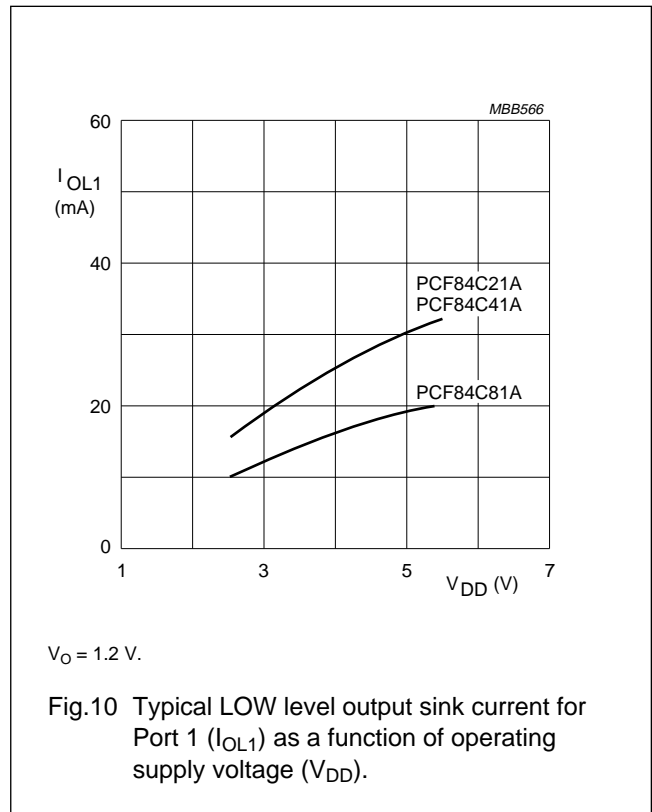
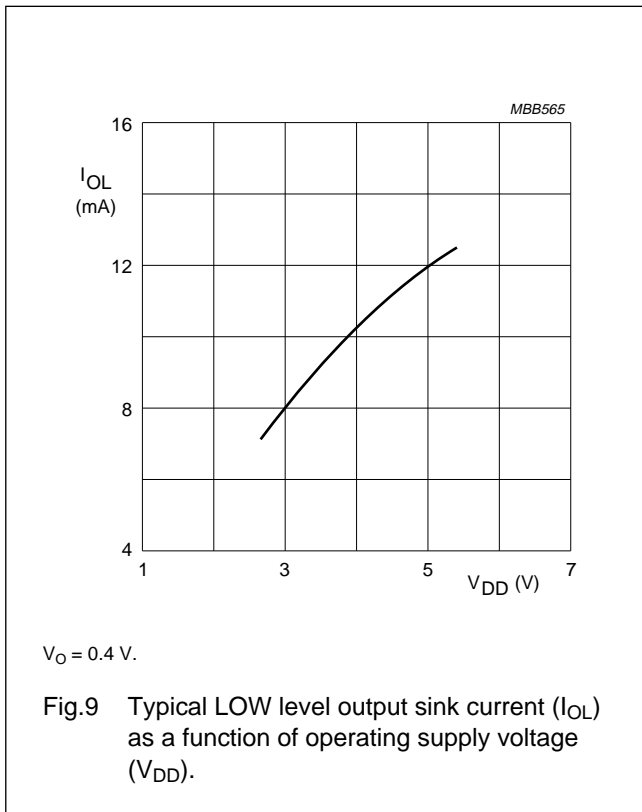
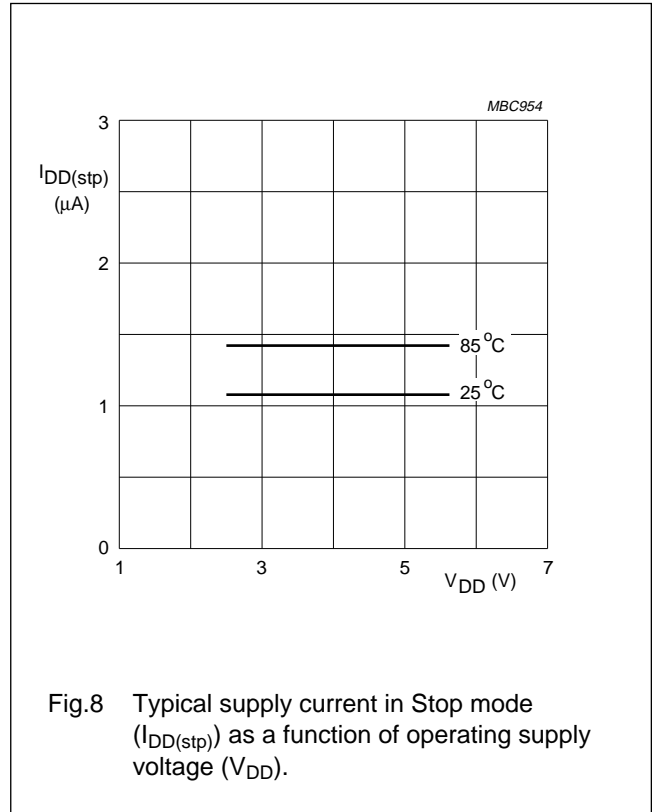
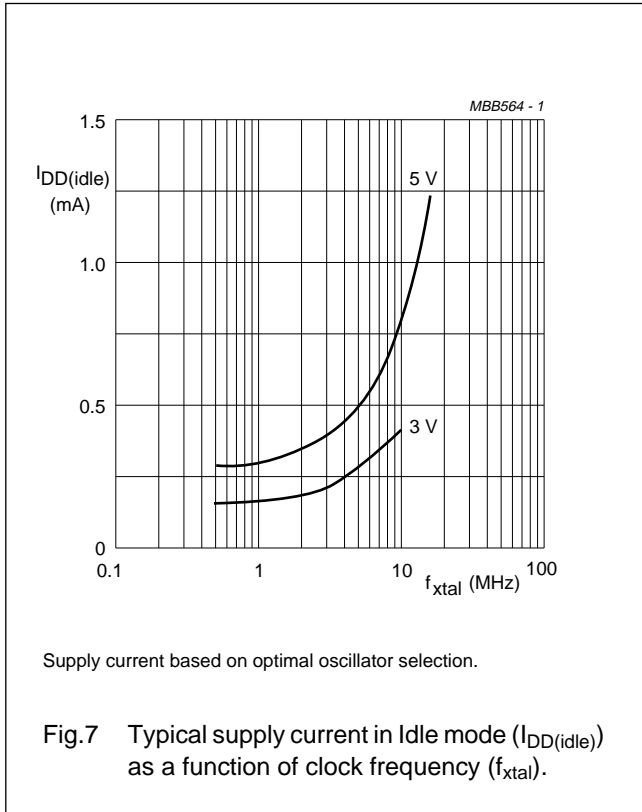


Supply current based on optimal oscillator selection.

Fig.6 Typical supply current in Idle mode ($I_{DD(idle)}$) as a function of operating supply voltage (V_{DD}).

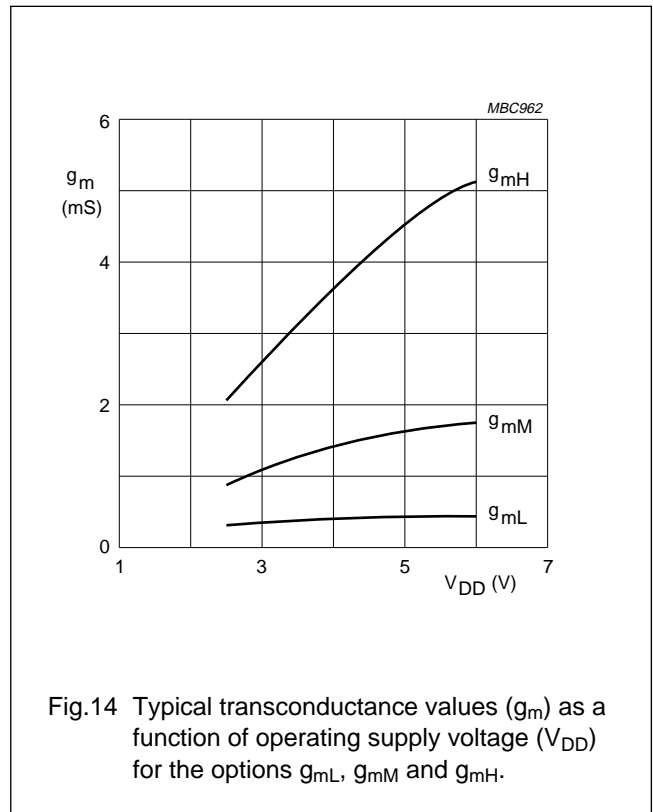
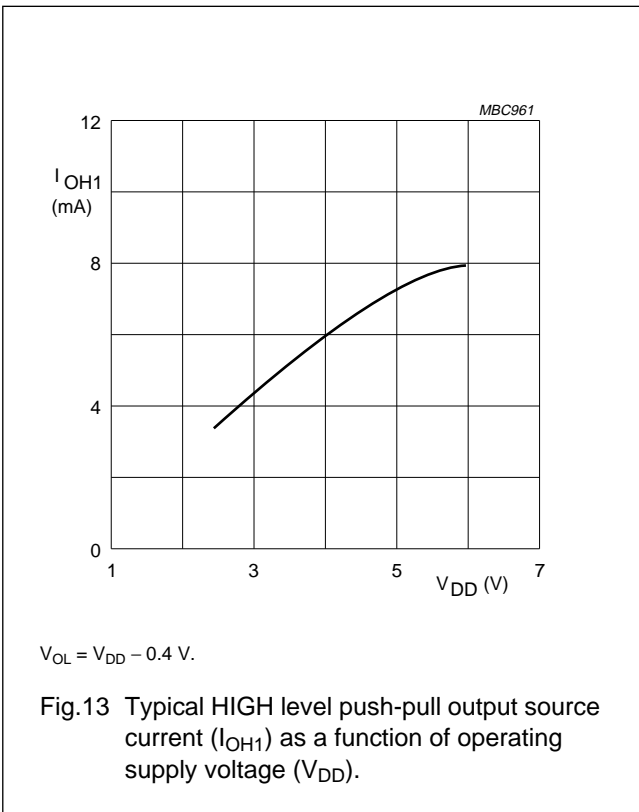
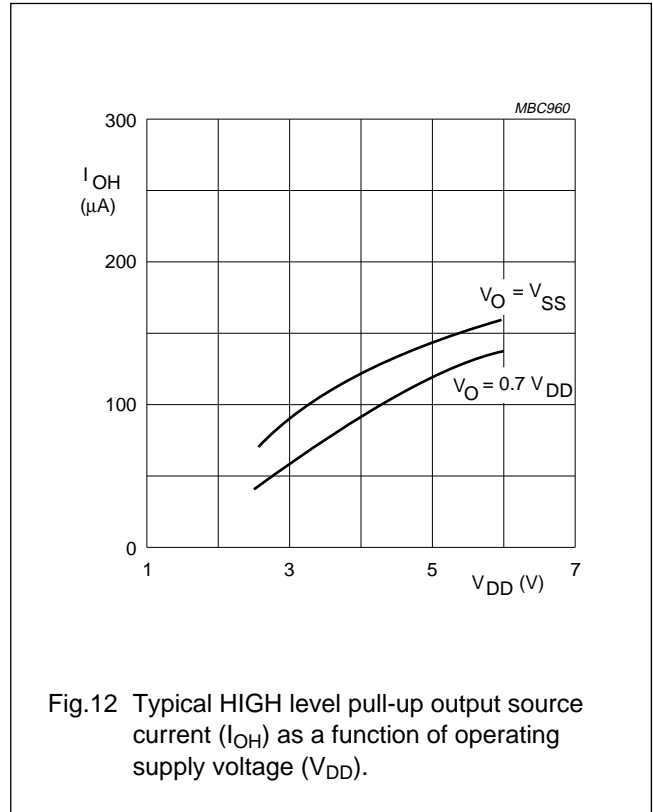
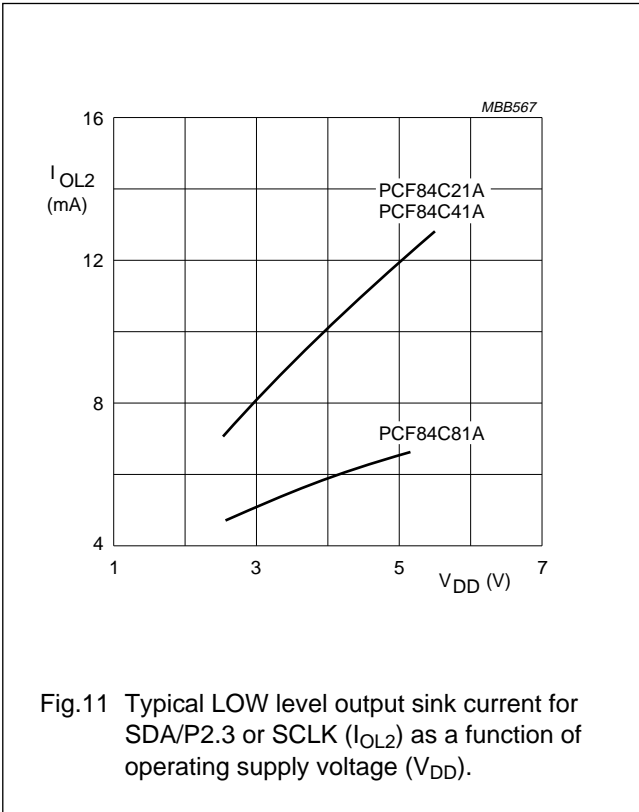
Telecom microcontrollers

PCF84C21A; PCF84C41A;
PCF84C81A



Telecom microcontrollers

PCF84C21A; PCF84C41A;
PCF84C81A



Telecom microcontrollers

PCF84C21A; PCF84C41A;
PCF84C81A**12 AC CHARACTERISTICS**

$V_{DD} = 2.5$ to 5.5 V; $V_{SS} = 0$ V; $T_{amb} = -40$ to $+85$ °C; all voltages with respect to V_{SS} ; unless otherwise specified.

SYMBOL	PARAMETER	CONDITIONS	MIN.	TYP.	MAX.	UNIT
t_r	rise time all outputs	$V_{DD} = 5$ V; $T_{amb} = 25$ °C; $C_L = 50$ pF	–	30	–	ns
t_f	fall time all outputs	$V_{DD} = 5$ V; $T_{amb} = 25$ °C; $C_L = 50$ pF	–	30	–	ns
f_{xtal}	clock frequency	see Fig.3	1	–	16	MHz

Table 2 I²C-bus timing (see Figs 15 and 16)

SYMBOL	PARAMETER	INPUT (see Fig.14)	OUTPUT (see Fig.15; note 1)
SCLK			
$t_{HD;STA}$	START condition hold time	$\geq \frac{14}{f_{xtal}}$	$\frac{DF + 9}{2 \times f_{xtal}}$
t_{LOW}	SCLK LOW time	$\geq \frac{17}{f_{xtal}}$	$\frac{DF - 3}{2 \times f_{xtal}}$; note 2
t_{HIGH}	SCLK HIGH time	$\geq \frac{17}{f_{xtal}}$	$\frac{DF + 3}{2 \times f_{xtal}}$; note 2
t_{RC}	SCLK rise time	≤ 1 μ s	≤ 1 μ s; note 3
t_{FC}	SCLK fall time	≤ 0.3 μ s	≤ 0.1 μ s; note 4
SDA			
t_{BUF}	bus free time	$\geq \frac{14}{f_{xtal}}$	≥ 4.7 μ s; note 5
$t_{SU;DAT}$	data set-up time	≥ 250 ns	$\geq \frac{15}{f_{xtal}}$; note 6
$t_{HD;DAT}$	data hold time	≥ 0	$\geq \frac{9}{f_{xtal}}$
t_{RD}	SDA/P2.3 rise time	≤ 1 μ s	≤ 1 μ s; note 3
t_{FD}	SDA/P2.3 fall time	≤ 0.3 μ s	≤ 0.1 μ s; note 4
$t_{SU;STO}$	STOP condition set-up time	$\geq \frac{14}{f_{xtal}}$	$\frac{DF - 3}{2 \times f_{xtal}}$

Notes

1. DF stands for Division Factor: the divisor of f_{xtal} (see the "PCF84CxxxA family" data sheet).

2. Values given for ASC = 0; for ASC = 1: $t_{HIGH} = \frac{3(DF + 1)}{4 \times f_{xtal}}$; $t_{LOW} = \frac{DF - 3}{4 \times f_{xtal}}$

3. Determined by I²C-bus capacitance (C_b) and external pull-up resistor.

4. At maximum allowed I²C-bus capacitance $C_b = 400$ pF.

5. Determined by program.

6. If $t_{LOW} < \frac{24}{f_{xtal}}$, $t_{SU;DAT} \geq \frac{t_{LOW} - 9}{f_{xtal}}$, independent of ASC.

Telecom microcontrollers

PCF84C21A; PCF84C41A;
PCF84C81A

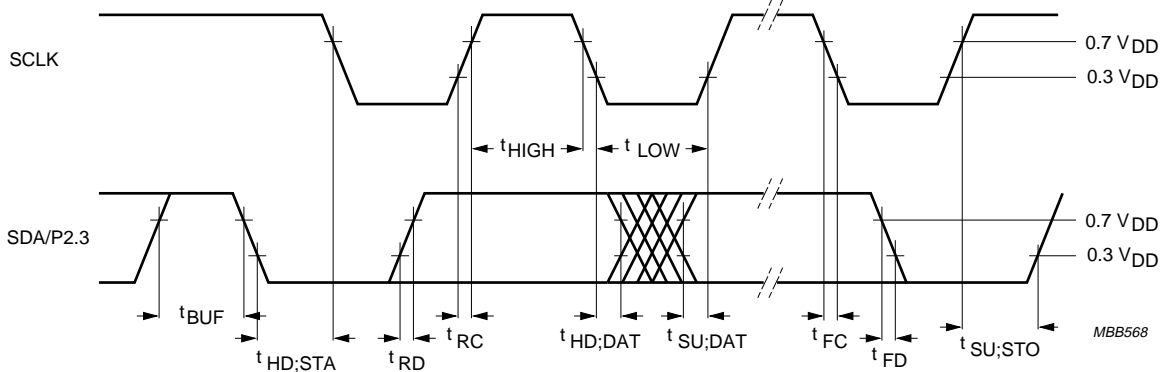


Fig.15 Slave SCLK receiver SDA/P2.3 timing (SCLK and SDA/P2.3 are inputs).

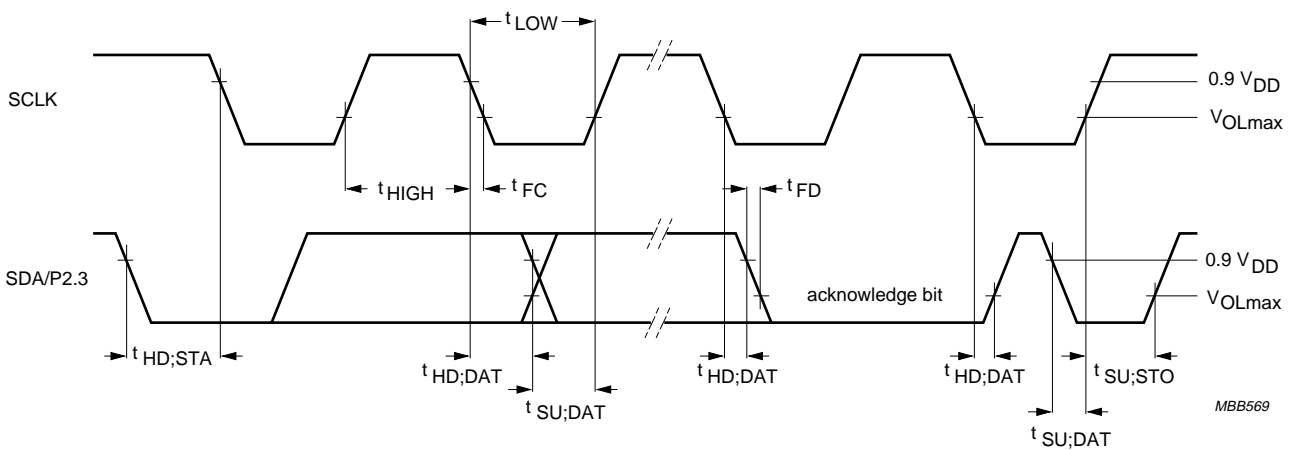


Fig.16 Master SCLK and transmitter SDA/P2,3 timing (SCLK and SDA/P2.3 are outputs).

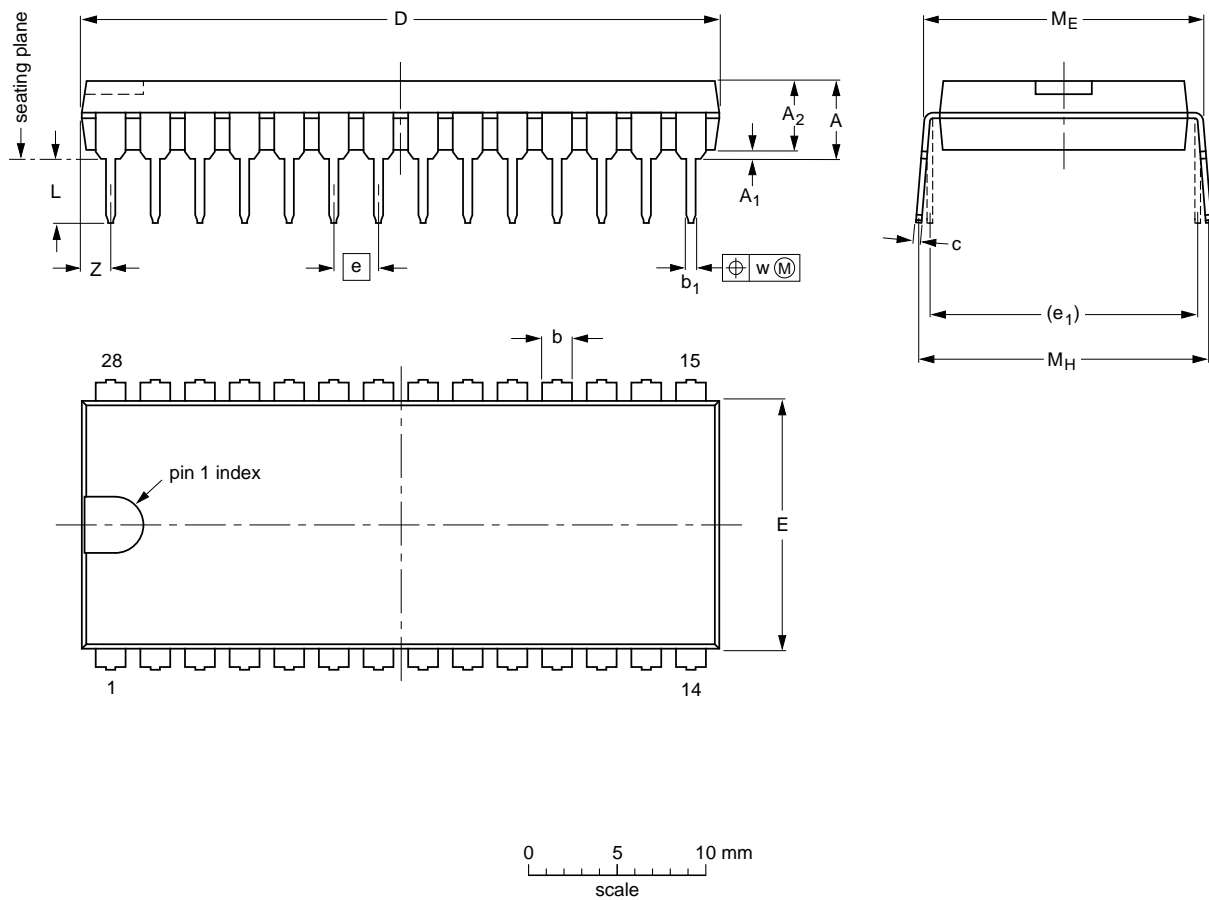
Telecom microcontrollers

PCF84C21A; PCF84C41A;
PCF84C81A

13 PACKAGE OUTLINES

DIP28: plastic dual in-line package; 28 leads (600 mil)

SOT117-1



DIMENSIONS (inch dimensions are derived from the original mm dimensions)

UNIT	A max.	A ₁ min.	A ₂ max.	b	b ₁	c	D ⁽¹⁾	E ⁽¹⁾	e	e ₁	L	M _E	M _H	w	Z ⁽¹⁾ max.
mm	5.1	0.51	4.0	1.7 1.3	0.53 0.38	0.32 0.23	36.0 35.0	14.1 13.7	2.54	15.24	3.9 3.4	15.80 15.24	17.15 15.90	0.25	1.7
inches	0.20	0.020	0.16	0.066 0.051	0.020 0.014	0.013 0.009	1.41 1.34	0.56 0.54	0.10	0.60	0.15 0.13	0.62 0.60	0.68 0.63	0.01	0.067

Note

1. Plastic or metal protrusions of 0.25 mm maximum per side are not included.

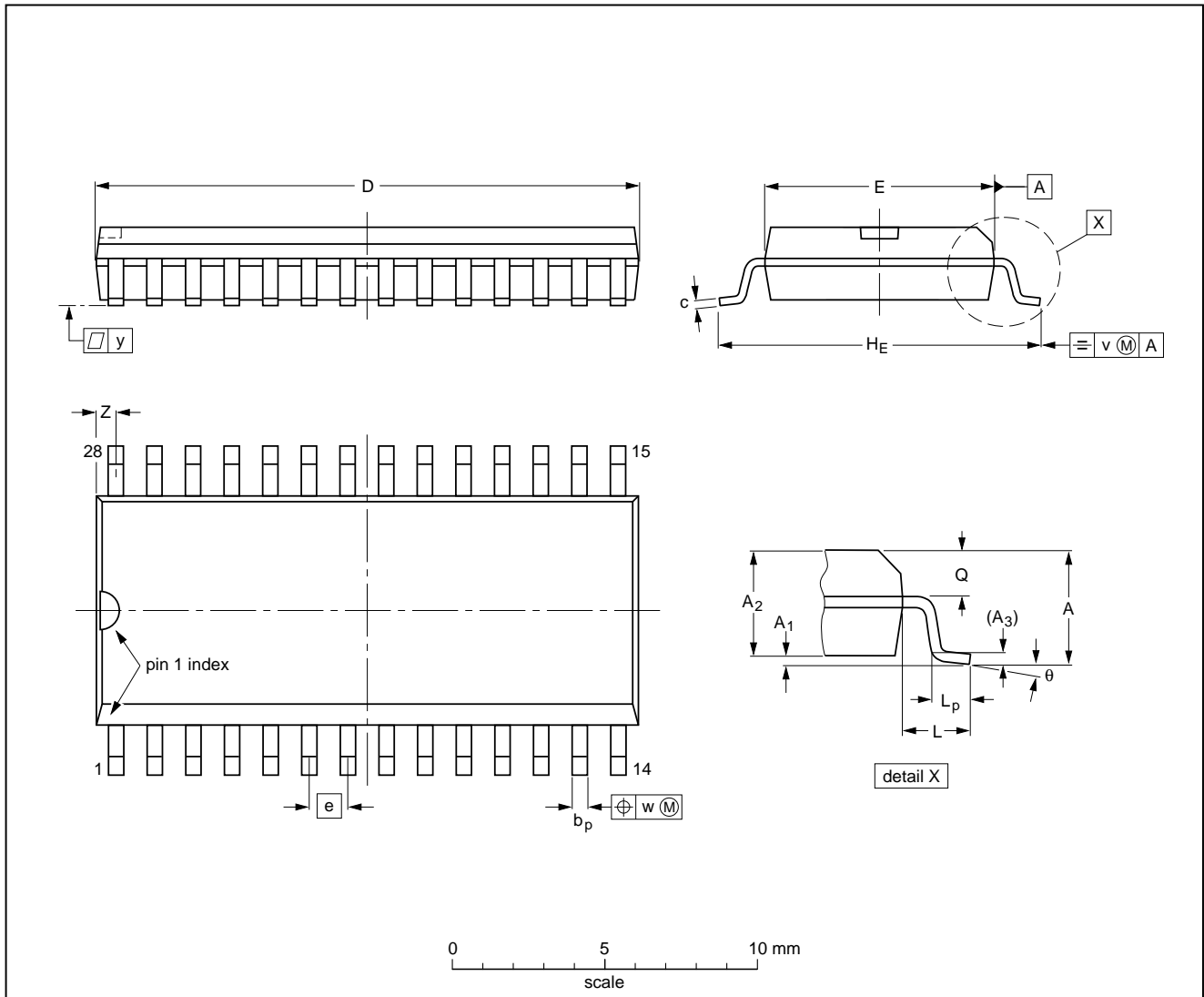
OUTLINE VERSION	REFERENCES				EUROPEAN PROJECTION	ISSUE DATE
	IEC	JEDEC	EIAJ			
SOT117-1	051G05	MO-015AH				92-11-17 95-01-14

Telecom microcontrollers

PCF84C21A; PCF84C41A;
PCF84C81A

SO28: plastic small outline package; 28 leads; body width 7.5 mm

SOT136-1



DIMENSIONS (inch dimensions are derived from the original mm dimensions)

UNIT	A max.	A ₁	A ₂	A ₃	b _p	c	D ⁽¹⁾	E ⁽¹⁾	e	H _E	L	L _p	Q	v	w	y	Z ⁽¹⁾	θ
mm	2.65	0.30 0.10	2.45 2.25	0.25	0.49 0.36	0.32 0.23	18.1 17.7	7.6 7.4	1.27	10.65 10.00	1.4	1.1 0.4	1.1 1.0	0.25	0.25	0.1	0.9 0.4	8° 0°
inches	0.10	0.012 0.004	0.096 0.089	0.01	0.019 0.014	0.013 0.009	0.71 0.69	0.30 0.29	0.050	0.42 0.39	0.055	0.043 0.016	0.043 0.039	0.01	0.01	0.004	0.035 0.016	

Note

1. Plastic or metal protrusions of 0.15 mm maximum per side are not included.

OUTLINE VERSION	REFERENCES			EUROPEAN PROJECTION	ISSUE DATE
	IEC	JEDEC	EIAJ		
SOT136-1	075E06	MS-013AE			91-08-13 95-01-24

Telecom microcontrollers

PCF84C21A; PCF84C41A; PCF84C81A

14 SOLDERING

14.1 Introduction

There is no soldering method that is ideal for all IC packages. Wave soldering is often preferred when through-hole and surface mounted components are mixed on one printed-circuit board. However, wave soldering is not always suitable for surface mounted ICs, or for printed-circuits with high population densities. In these situations reflow soldering is often used.

This text gives a very brief insight to a complex technology. A more in-depth account of soldering ICs can be found in our "IC Package Databook" (order code 9398 652 90011).

14.2 DIP

14.2.1 SOLDERING BY DIPPING OR BY WAVE

The maximum permissible temperature of the solder is 260 °C; solder at this temperature must not be in contact with the joint for more than 5 seconds. The total contact time of successive solder waves must not exceed 5 seconds.

The device may be mounted up to the seating plane, but the temperature of the plastic body must not exceed the specified maximum storage temperature ($T_{stg\ max}$). If the printed-circuit board has been pre-heated, forced cooling may be necessary immediately after soldering to keep the temperature within the permissible limit.

14.2.2 REPAIRING SOLDERED JOINTS

Apply a low voltage soldering iron (less than 24 V) to the lead(s) of the package, below the seating plane or not more than 2 mm above it. If the temperature of the soldering iron bit is less than 300 °C it may remain in contact for up to 10 seconds. If the bit temperature is between 300 and 400 °C, contact may be up to 5 seconds.

14.3 SO

14.3.1 REFLOW SOLDERING

Reflow soldering techniques are suitable for all SO packages.

Reflow soldering requires solder paste (a suspension of fine solder particles, flux and binding agent) to be applied to the printed-circuit board by screen printing, stencilling or pressure-syringe dispensing before package placement.

Several techniques exist for reflowing; for example, thermal conduction by heated belt. Dwell times vary between 50 and 300 seconds depending on heating method. Typical reflow temperatures range from 215 to 250 °C.

Preheating is necessary to dry the paste and evaporate the binding agent. Preheating duration: 45 minutes at 45 °C.

14.3.2 WAVE SOLDERING

Wave soldering techniques can be used for all SO packages if the following conditions are observed:

- A double-wave (a turbulent wave with high upward pressure followed by a smooth laminar wave) soldering technique should be used.
- The longitudinal axis of the package footprint must be parallel to the solder flow.
- The package footprint must incorporate solder thieves at the downstream end.

During placement and before soldering, the package must be fixed with a droplet of adhesive. The adhesive can be applied by screen printing, pin transfer or syringe dispensing. The package can be soldered after the adhesive is cured.

Maximum permissible solder temperature is 260 °C, and maximum duration of package immersion in solder is 10 seconds, if cooled to less than 150 °C within 6 seconds. Typical dwell time is 4 seconds at 250 °C.

A mildly-activated flux will eliminate the need for removal of corrosive residues in most applications.

14.3.3 REPAIRING SOLDERED JOINTS

Fix the component by first soldering two diagonally-opposite end leads. Use only a low voltage soldering iron (less than 24 V) applied to the flat part of the lead. Contact time must be limited to 10 seconds at up to 300 °C. When using a dedicated tool, all other leads can be soldered in one operation within 2 to 5 seconds between 270 and 320 °C.

Telecom microcontrollers

PCF84C21A; PCF84C41A;
PCF84C81A**15 DEFINITIONS**

Data sheet status	
Objective specification	This data sheet contains target or goal specifications for product development.
Preliminary specification	This data sheet contains preliminary data; supplementary data may be published later.
Product specification	This data sheet contains final product specifications.
Limiting values	
Limiting values given are in accordance with the Absolute Maximum Rating System (IEC 134). Stress above one or more of the limiting values may cause permanent damage to the device. These are stress ratings only and operation of the device at these or at any other conditions above those given in the Characteristics sections of the specification is not implied. Exposure to limiting values for extended periods may affect device reliability.	
Application information	
Where application information is given, it is advisory and does not form part of the specification.	

16 LIFE SUPPORT APPLICATIONS

These products are not designed for use in life support appliances, devices, or systems where malfunction of these products can reasonably be expected to result in personal injury. Philips customers using or selling these products for use in such applications do so at their own risk and agree to fully indemnify Philips for any damages resulting from such improper use or sale.

17 PURCHASE OF PHILIPS I²C COMPONENTS

Purchase of Philips I²C components conveys a license under the Philips' I²C patent to use the components in the I²C system provided the system conforms to the I²C specification defined by Philips. This specification can be ordered using the code 9398 393 40011.

Telecom microcontrollers

PCF84C21A; PCF84C41A;
PCF84C81A

NOTES

Telecom microcontrollers

PCF84C21A; PCF84C41A;
PCF84C81A

NOTES

Telecom microcontrollers

PCF84C21A; PCF84C41A;
PCF84C81A

NOTES

Philips Semiconductors – a worldwide company

Argentina: see South America

Australia: 34 Waterloo Road, NORTH RYDE, NSW 2113,
Tel. +61 2 9805 4455, Fax. +61 2 9805 4466

Austria: Computerstr. 6, A-1101 WIEN, P.O. Box 213,
Tel. +43 1 60 101, Fax. +43 1 60 101 1210

Belarus: Hotel Minsk Business Center, Bld. 3, r. 1211, Volodarski Str. 6,
220050 MINSK, Tel. +375 172 200 733, Fax. +375 172 200 773

Belgium: see The Netherlands

Brazil: see South America

Bulgaria: Philips Bulgaria Ltd., Energoproject, 15th floor,
51 James Bourchier Blvd., 1407 SOFIA,
Tel. +359 2 689 211, Fax. +359 2 689 102

Canada: PHILIPS SEMICONDUCTORS/COMPONENTS,
Tel. +1 800 234 7381

China/Hong Kong: 501 Hong Kong Industrial Technology Centre,
72 Tat Chee Avenue, Kowloon Tong, HONG KONG,
Tel. +852 2319 7888, Fax. +852 2319 7700

Colombia: see South America

Czech Republic: see Austria

Denmark: Prags Boulevard 80, PB 1919, DK-2300 COPENHAGEN S,
Tel. +45 32 88 2636, Fax. +45 31 57 1949

Finland: Sinikalliontie 3, FIN-02630 ESPOO,
Tel. +358 9 615800, Fax. +358 9 61580/xxx

France: 4 Rue du Port-aux-Vins, BP317, 92156 SURESNES Cedex,
Tel. +33 1 40 99 6161, Fax. +33 1 40 99 6427

Germany: Hammerbrookstraße 69, D-20097 HAMBURG,
Tel. +49 40 23 53 60, Fax. +49 40 23 536 300

Greece: No. 15, 25th March Street, GR 17778 TAVROS/ATHENS,
Tel. +30 1 4894 339/239, Fax. +30 1 4814 240

Hungary: see Austria

India: Philips INDIA Ltd, Shivsagar Estate, A Block, Dr. Annie Besant Rd.
Worli, MUMBAI 400 018, Tel. +91 22 4938 541, Fax. +91 22 4938 722

Indonesia: see Singapore

Ireland: Newstead, Clonskeagh, DUBLIN 14,
Tel. +353 1 7640 000, Fax. +353 1 7640 200

Israel: RAPAC Electronics, 7 Kehilat Saloniki St, TEL AVIV 61180,
Tel. +972 3 645 0444, Fax. +972 3 649 1007

Italy: PHILIPS SEMICONDUCTORS, Piazza IV Novembre 3,
20124 MILANO, Tel. +39 2 6752 2531, Fax. +39 2 6752 2557

Japan: Philips Bldg 13-37, Kohnan 2-chome, Minato-ku, TOKYO 108,
Tel. +81 3 3740 5130, Fax. +81 3 3740 5077

Korea: Philips House, 260-199 Itaewon-dong, Yongsan-ku, SEOUL,
Tel. +82 2 709 1412, Fax. +82 2 709 1415

Malaysia: No. 76 Jalan Universiti, 46200 PETALING JAYA, SELANGOR,
Tel. +60 3 750 5214, Fax. +60 3 757 4880

Mexico: 5900 Gateway East, Suite 200, EL PASO, TEXAS 79905,
Tel. +9-5 800 234 7381

Middle East: see Italy

Netherlands: Postbus 90050, 5600 PB EINDHOVEN, Bldg. VB,
Tel. +31 40 27 82785, Fax. +31 40 27 88399

New Zealand: 2 Wagener Place, C.P.O. Box 1041, AUCKLAND,
Tel. +64 9 849 4160, Fax. +64 9 849 7811

Norway: Box 1, Manglerud 0612, OSLO,
Tel. +47 22 74 8000, Fax. +47 22 74 8341

Philippines: Philips Semiconductors Philippines Inc.,
106 Valero St. Salcedo Village, P.O. Box 2108 MCC, MAKATI,
Metro MANILA, Tel. +63 2 816 6380, Fax. +63 2 817 3474

Poland: Ul. Lukiska 10, PL 04-123 WARSZAWA,
Tel. +48 22 612 2831, Fax. +48 22 612 2327

Portugal: see Spain

Romania: see Italy

Russia: Philips Russia, Ul. Usatcheva 35A, 119048 MOSCOW,
Tel. +7 095 247 9145, Fax. +7 095 247 9144

Singapore: Lorong 1, Toa Payoh, SINGAPORE 1231,
Tel. +65 350 2538, Fax. +65 251 6500

Slovakia: see Austria

Slovenia: see Italy

South Africa: S.A. PHILIPS Pty Ltd., 195-215 Main Road Martindale,
2092 JOHANNESBURG, P.O. Box 7430 Johannesburg 2000,
Tel. +27 11 470 5911, Fax. +27 11 470 5494

South America: Rua do Rocio 220, 5th floor, Suite 51,
04552-903 São Paulo, SÃO PAULO - SP, Brazil,
Tel. +55 11 821 2333, Fax. +55 11 829 1849

Spain: Balmes 22, 08007 BARCELONA,
Tel. +34 3 301 6312, Fax. +34 3 301 4107

Sweden: Kottbygatan 7, Akalla, S-16485 STOCKHOLM,
Tel. +46 8 632 2000, Fax. +46 8 632 2745

Switzerland: Allmendstrasse 140, CH-8027 ZÜRICH,
Tel. +41 1 488 2686, Fax. +41 1 481 7730

Taiwan: PHILIPS TAIWAN Ltd., 23-30F, 66,
Chung Hsiao West Road, Sec. 1, P.O. Box 22978,
TAIPEI 100, Tel. +886 2 382 4443, Fax. +886 2 382 4444

Thailand: PHILIPS ELECTRONICS (THAILAND) Ltd.,
209/2 Sanpavuth-Bangna Road Prakanong, BANGKOK 10260,
Tel. +66 2 745 4090, Fax. +66 2 398 0793

Turkey: Talatpasa Cad. No. 5, 80640 GÜLTEPE/ISTANBUL,
Tel. +90 212 279 2770, Fax. +90 212 282 6707

Ukraine: PHILIPS UKRAINE, 4 Patrice Lumumba str., Building B, Floor 7,
252042 KIEV, Tel. +380 44 264 2776, Fax. +380 44 268 0461

United Kingdom: Philips Semiconductors Ltd., 276 Bath Road, Hayes,
MIDDLESEX UB3 5BX, Tel. +44 181 730 5000, Fax. +44 181 754 8421

United States: 811 East Arques Avenue, SUNNYVALE, CA 94088-3409,
Tel. +1 800 234 7381

Uruguay: see South America

Vietnam: see Singapore

Yugoslavia: PHILIPS, Trg N. Pasica 5/v, 11000 BEOGRAD,
Tel. +381 11 625 344, Fax. +381 11 635 777

For all other countries apply to: Philips Semiconductors, Marketing & Sales Communications,
Building BE-p, P.O. Box 218, 5600 MD EINDHOVEN, The Netherlands, Fax. +31 40 27 24825

Internet: <http://www.semiconductors.philips.com>

© Philips Electronics N.V. 1996

SCA52

All rights are reserved. Reproduction in whole or in part is prohibited without the prior written consent of the copyright owner.

The information presented in this document does not form part of any quotation or contract, is believed to be accurate and reliable and may be changed without notice. No liability will be accepted by the publisher for any consequence of its use. Publication thereof does not convey nor imply any license under patent- or other industrial or intellectual property rights.

Printed in The Netherlands

457021/1200/03/pp20

Date of release: 1996 Nov 20

Document order number: 9397 750 01085

Let's make things better.

**Philips
Semiconductors**



PHILIPS