

DATA SHEET

PCF8831 STN RGB - 160 output row driver

Preliminary specification

2002 Aug 14

STN RGB - 160 output row driver**PCF8831**

CONTENTS

1	FEATURES
2	APPLICATIONS
3	GENERAL DESCRIPTION
4	ORDERING INFORMATION
5	BLOCK DIAGRAM
6	PINNING
7	FUNCTIONAL DESCRIPTION
7.1	Row driver
7.2	80-bit shift register
7.3	Row control
7.4	Frame control
8	LIMITING VALUES
9	HANDLING
10	DC CHARACTERISTICS
11	AC CHARACTERISTICS
11.1	Power-up and power-down sequences
12	APPLICATION INFORMATION
13	INTERNAL PROTECTION CIRCUITS
14	BONDING PAD LOCATION
15	TRAY INFORMATION
16	DATA SHEET STATUS
17	DEFINITIONS
18	DISCLAIMERS

STN RGB - 160 output row driver

PCF8831

1 FEATURES

- Row driver for LCD dot matrix
- 160 row outputs
- Selectable scan direction
- Support of display off function
- Support of N-line inversion
- Programmable connection to display module
- Logic supply voltage: 2.4 to 3.5 V
- Display supply voltage range: 15 to 40 V
- Low power consumption; suitable for battery operated systems
- CMOS compatible inputs
- Manufactured in silicon gate CMOS process.

2 APPLICATIONS

- Mobile phones
- Personal Digital Assistant (PDA)
- Automotive information systems
- Point-of-sale terminals
- Instrumentation.

3 GENERAL DESCRIPTION

The PCF8831 is a row driver for driving colour STN displays. It is designed to operate with the PCF8832 column driver IC.

4 ORDERING INFORMATION

TYPE NUMBER	PACKAGE		
	NAME	DESCRIPTION	VERSION
PCF8831U	–	chip with bumps in tray	–

STN RGB - 160 output row driver

PCF8831

5 BLOCK DIAGRAM

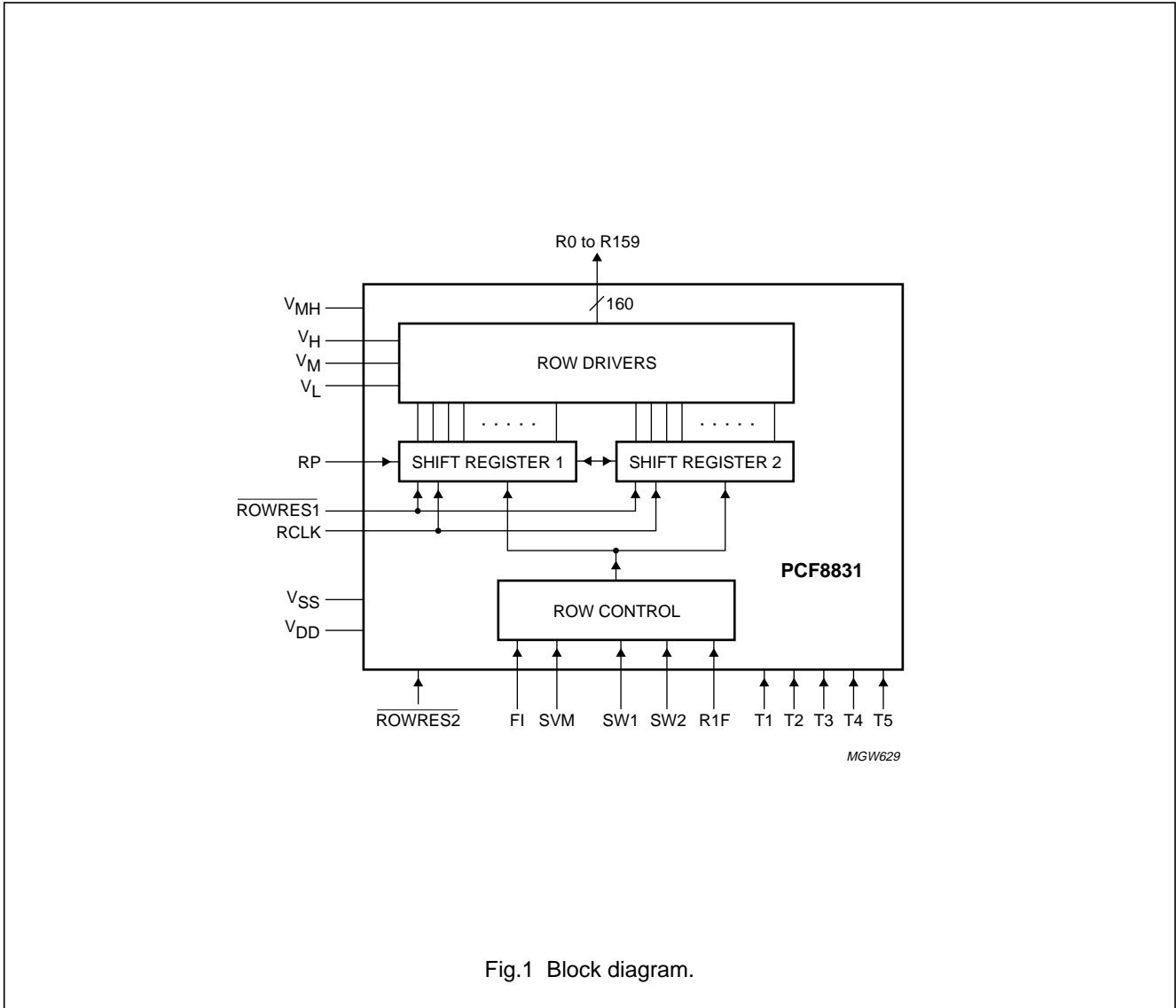


Fig.1 Block diagram.

STN RGB - 160 output row driver

PCF8831

6 PINNING

SYMBOL	PAD ⁽¹⁾	TYPE	DESCRIPTION
R159 to R0	2 to 161	O	LCD row outputs
RCLK	187	I	clock input to the shift register; data is transmitted with the positive clock edge; connect RCLK to the RCLK output of the PCF8832 column driver
RP	188	I	row pulse input; driven by the RP output of the PCF8832 column driver
FI	189	I	frame inversion input; controls frame and N-line inversion; FI is synchronized internally by the rising edge of RCLK; FI can change only when RP changes; connect FI to the FI output of the PCF8832 column driver
SVM	190	I	input that switches the non-selected level (V_M or V_{SS} , depending on $\overline{ROWRES2}$) to all row outputs; connect SVM to the SVM output of the PCF8832 column driver
$\overline{ROWRES1}$	191	I	external reset input 1; when LOW, the shift register is reset at the next rising edge of RCLK and all outputs (R0 to R159) go to their non-selected level; connect $\overline{ROWRES1}$ to the \overline{RESROW} output of the PCF8832 column driver
$\overline{ROWRES2}$	192	I	external reset input 2; when LOW, the non-selected level goes to V_{SS} ; when HIGH, the non-selected level goes to V_M ; connect $\overline{ROWRES2}$ to the \overline{RESROW} output of the PCF8832 column driver
R1F	193	I	inputs R1F (row block 1 first), SW1 (swap row block 1) and SW2 (swap row block 2) control the shift direction through the register and the order of the register; see Table 1; connect to the corresponding signal outputs of the PCF8832 column driver, or connect directly to V_{DD} or V_{SS} as required by the display module configuration
SW1	194	I	
SW2	195	I	
T1 to T5	196 to 200	I	test inputs; connect to V_{SS} for normal operation
V_{SS}	201 to 207	PS	logic power supply, negative; normally connected to system ground
V_{DD}	208 to 214	PS	logic power supply, positive; 2.4 to 3.5 V referred to V_{SS}
V_M	215 to 221	PS	MID-level LCD driving voltage; level is between V_H and V_L ; output at rows for non-selecting periods when $\overline{ROWRES2}$ is HIGH; 1.25 to 2.0 V referred to V_{SS}
V_{MH}	222 to 228	PS	auxiliary supply voltage for row switch; higher than V_M ; limited at $V_L + 40$ V
V_H	229 to 235	PS	HIGH-level LCD driving voltage; top level of the positive selecting pulse of row outputs
V_L	236 to 242	PS	LOW-level LCD driving voltage; bottom level of the negative selecting pulse of row outputs

Note

1. Dummy pads are located at positions 1 (slanted), 162 to 186 and 243 to 272.

STN RGB - 160 output row driver

PCF8831

7 FUNCTIONAL DESCRIPTION

7.1 Row driver

The row driver comprises high voltage outputs, level shifters and logic circuits.

The row driver power supplies are:

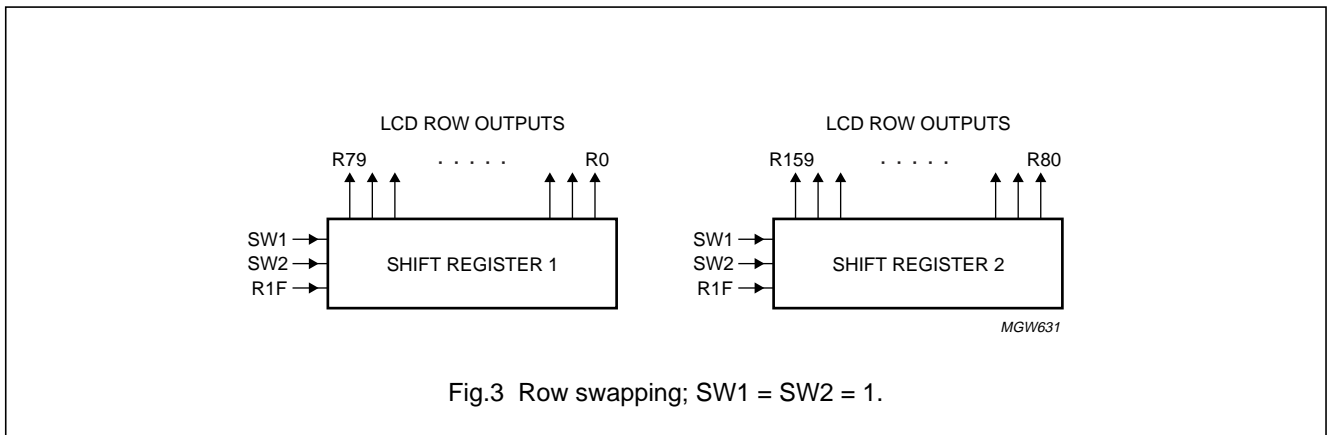
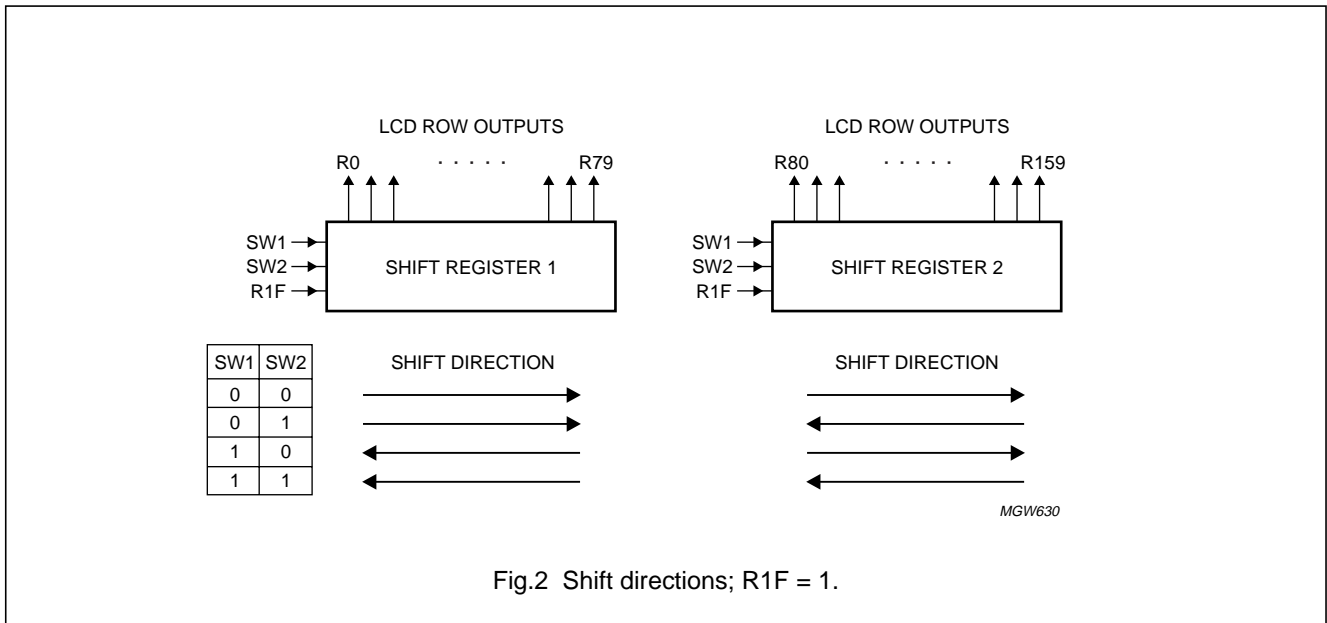
- V_H for the top level of selecting pulses
- V_L for the bottom level of selecting pulses
- V_M for the non-selecting level when $\overline{ROWRES2} = \text{HIGH}$; the non-selecting level goes to V_{SS} when $ROWRES2 = \text{LOW}$ (active)
- V_{MH} is an intermediate auxiliary supply
- V_{DD} and V_{SS} for the logic circuits.

7.2 80-bit shift register

Two shift registers of 80 bits each are contained in the PCF8831 row driver. With $\overline{ROWRES1}$, the complete shift register will be reset at the next rising edge of RCLK. The two shift registers can be configured for different applications by row control signals R1F, SW1 and SW2.

7.3 Row control

Row control signals SW1, SW2 and R1F control the shift direction through the register and the order of the register (see Fig.2). Some switching combinations require the order of one or both shift registers to be swapped as shown by the example in Fig.3. All row control combinations are shown in Table 1, these can be software controlled when connected to the corresponding row control signals of the PCF8832 column driver.



STN RGB - 160 output row driver

PCF8831

Table 1 Row control switching

ROW CONTROL SIGNALS			FIRST REGISTER SELECTED	SECOND REGISTER SELECTED
R1F	SW1	SW2		
1	0	0	R0 to R79	R80 to R159
1	0	1	R0 to R79	R159 to R80
1	1	0	R79 to R0	R80 to R159
1	1	1	R79 to R0	R159 to R80
0	0	0	R80 to R159	R0 to R79
0	0	1	R159 to R80	R0 to R79
0	1	0	R80 to R159	R79 to R0
0	1	1	R159 to R80	R79 to R0

STN RGB - 160 output row driver

PCF8831

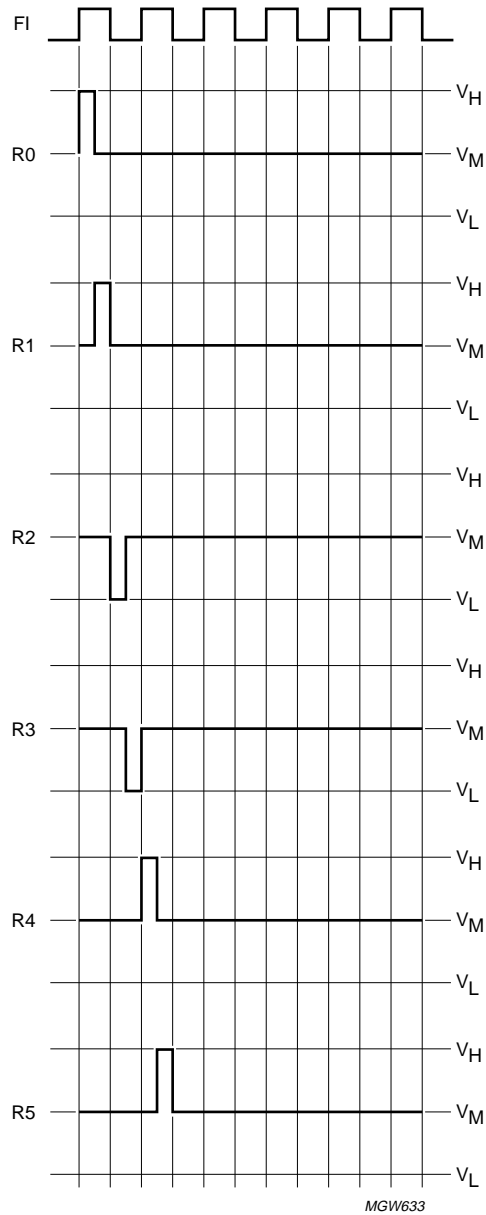


Fig.5 N-line inversion; N = 2.

STN RGB - 160 output row driver

PCF8831

8 LIMITING VALUES

In accordance with the Absolute Maximum Rating System (IEC 60134); note 1.

SYMBOL	PARAMETER	MIN.	MAX.	UNIT
V_{DD}	logic supply positive voltage	$V_{SS} - 0.3$	$V_{SS} + 7.0$	V
V_{SS}	logic supply negative voltage	$V_L - 0.3$	$V_L + 40.0$	V
V_{MH}	auxiliary supply voltage for row switching	$V_L - 0.3$	$V_L + 45.0$	V
V_H	HIGH-level LCD driving voltage	$V_L - 0.3$	$V_L + 45$	V
V_M	MID-level LCD driving voltage	$V_L - 0.3$	$V_H + 0.3$	V
		$V_H - 45.0$	$V_L + 45.0$	V
		$V_{SS} - 0.3$	$V_{SS} + 7.0$	V
V_I	input voltage	$V_{SS} - 0.3$	$V_{DD} + 0.3$	V
T_{oper}	operating temperature	-40	+85	°C
T_{stg}	storage temperature	-65	+150	°C

Note

- Parameters are valid over the operating temperature range; all voltages are referred to V_L ; substrate potential = V_L ; unless otherwise specified.

9 HANDLING

Inputs and outputs are protected against electrostatic discharge in normal handling. However, to be totally safe, it is recommended to take normal precautions appropriate to handling MOS devices (see "Handling MOS Devices").

STN RGB - 160 output row driver

PCF8831

10 DC CHARACTERISTICS $(V_{DD} - V_{SS}) = 2.4$ to 3.5 V; $(V_H - V_L) = 15$ to 55 V; $T_{amb} = -40$ to $+85$ °C; unless otherwise specified.

SYMBOL	PARAMETER	CONDITIONS	MIN.	TYP.	MAX.	UNIT
V_L	LOW-level LCD driving voltage		–	0	–	V
V_H	HIGH-level LCD driving voltage		$V_L + 15.0$	–	$V_L + 45.0$	V
V_M	MID-level LCD driving voltage		V_{SS}	$\frac{V_L + V_H}{2}$	V_{DD}	V
V_{MH}	auxiliary supply voltage for row switching		note 1	$V_M + 10$	$V_L + 40$	V
V_{SS}	logic supply negative voltage		$V_M - 2.0$	–	$V_M - 1.25$	V
V_{DD}	logic supply positive voltage		$V_{SS} + 2.4$	–	$V_{SS} + 3.5$	V
V_{IH}	HIGH-level input voltage	all inputs; referred to V_{SS}	$V_{SS} + 0.8 \times (V_{DD} - V_{SS})$	–	V_{DD}	V
V_{IL}	LOW-level input voltage	all inputs; referred to V_{SS}	V_{SS}	–	$V_{SS} + 0.2 \times (V_{DD} - V_{SS})$	V
I_{LI}	input leakage current	all inputs $V_I = V_{DD}$ $V_I = V_{SS}$	– –5	– –	5 –	μ A μ A
R_O	row output on-state resistance	notes 2 and 3 $I_O = +100 \mu$ A $I_O = \pm 100 \mu$ A $I_O = -100 \mu$ A	– – –	600 600 600	tbf tbf tbf	Ω Ω Ω
I_{DD}	current at pad V_{DD}	notes 3, 4 and 5	–	30	tbf	μ A
I_{VH}	current at pad V_H		–	10	tbf	μ A
I_{VMH}	current at pad V_{MH}		–	3	tbf	μ A
I_{VM}	current at pad V_M		–	2	tbf	μ A
I_{VL}	current at pad V_L		–	13	tbf	μ A

Notes

- The minimum level of $(V_{MH} - V_M)$ depends on $(V_M - V_L)$; a lower level of $(V_M - V_L)$ requires lower offset of V_{MH} referred to V_M . A higher level of $(V_{MH} - V_M)$ improves dynamic behaviour. A minimum level of $(V_{MH} - V_M) = 2.5$ V + $0.2 \times (V_M - V_L)$ should be maintained.
- Row outputs tested one at a time.
- $(V_H - V_L) = 37$ V; $V_{MH} = V_H$; $(V_{DD} - V_{SS}) = 2.8$ V; $V_M = \frac{V_H + V_L}{2}$; $(V_M - V_{SS}) = 1.47$ V.
- $f_{RCLK} = 19.2$ kHz; $SVM = 0$; $ROWRES1 = ROWRES2 = HIGH$; single line mode; all row outputs open-circuit.
- Frame inversion frequency $f_{FI} = \frac{f_{RCLK}}{2 \times 160}$.

STN RGB - 160 output row driver

PCF8831

11 AC CHARACTERISTICS

($V_{DD} - V_{SS}$) = 2.4 to 3.5 V; ($V_H - V_L$) = 15 to 55 V; T_{amb} = -40 to +85 °C; see Fig.6.

SYMBOL	PARAMETER	MIN.	TYP.	MAX.	UNIT
f_{RCLK}	RCLK clock frequency	–	19.2	700	kHz
t_{RCLKL}	RCLK clock LOW time	100	–	–	ns
t_{RCLKH}	RCLK clock HIGH time	100	–	–	ns
t_r	input rise time RCLK, RP, FI, SVM, ROWRES1 and ROWRES2	–	–	50	ns
t_f	input fall time RCLK, RP, FI, SVM, ROWRES1 and ROWRES2	–	–	50	ns
$t_{su(D)}$	data setup time RP, FI and $\overline{ROWRES1}$	50	–	–	ns
$t_{h(D)}$	data hold time RP, FI and $\overline{ROWRES1}$	50	–	–	ns

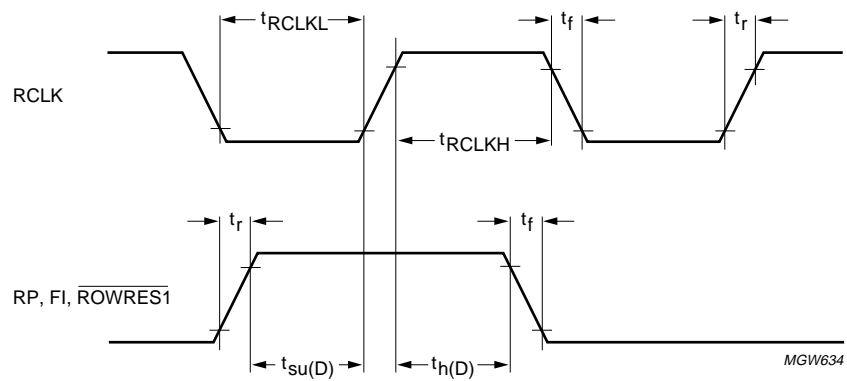


Fig.6 AC waveforms showing RCLK and data input.

STN RGB - 160 output row driver

PCF8831

11.1 Power-up and power-down sequences

When the PCF8831 is powering-up or powering-down, the various supply voltages and some interface signals have to be applied in a certain sequence.

Table 2 Power-up and power-down sequences

$T_{amb} = -40$ to $+85$ °C; refer to Figs 7 and 8.

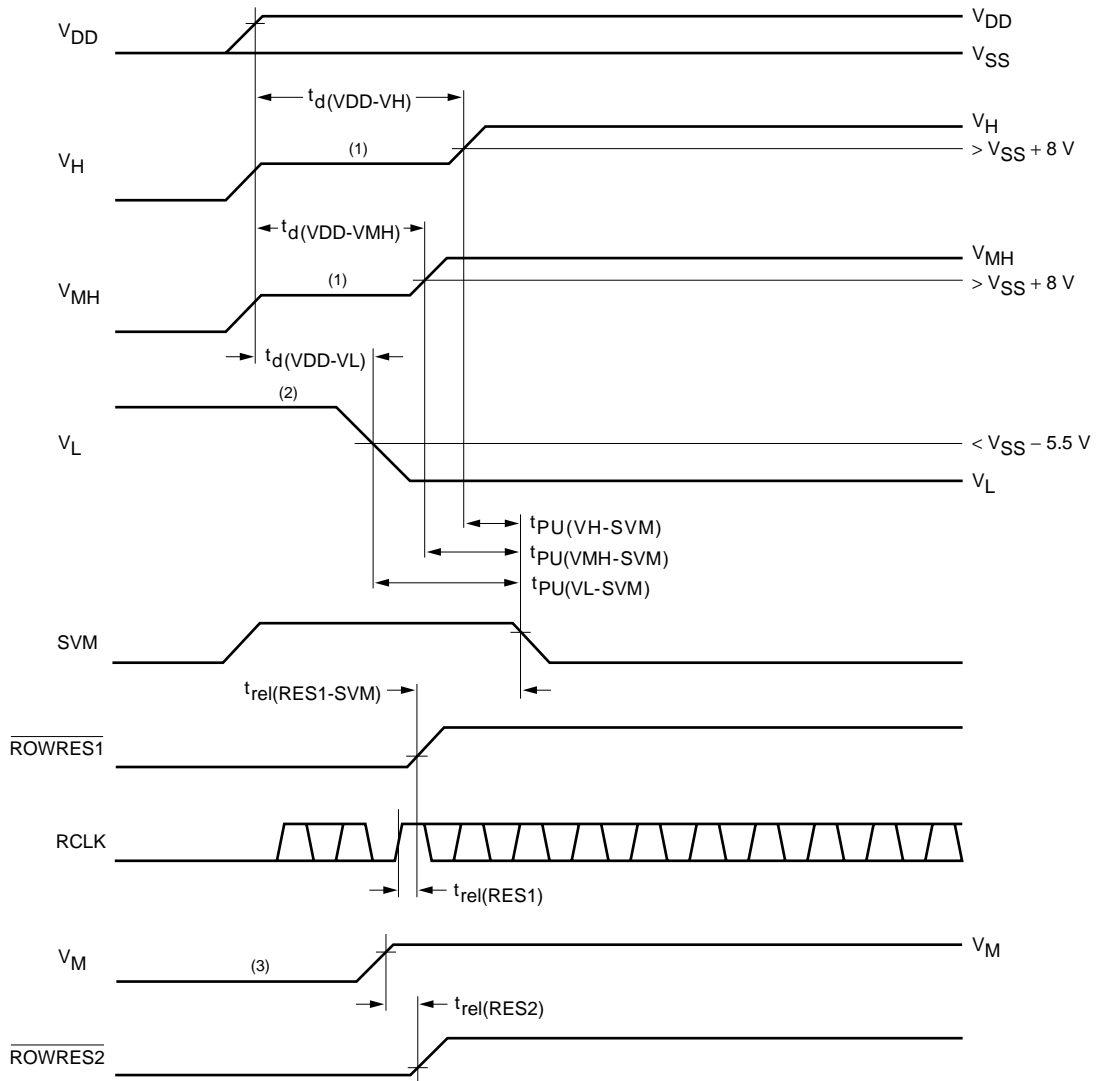
SYMBOL	PARAMETER	CONDITIONS	MIN.	UNIT
$t_{d(VDD-VH)}$	delay $V_{DD(on)}$ to $V_{H(on)}$	note 1	0	ns
$t_{d(VDD-VMH)}$	delay $V_{DD(on)}$ to $V_{MH(on)}$	note 1	0	ns
$t_{d(VDD-VL)}$	delay $V_{DD(on)}$ to $V_{L(on)}$	note 2	0	ns
$t_{d(VH-VDD)}$	delay $V_{H(off)}$ to $V_{DD(off)}$	note 1	0	ns
$t_{d(VMH-VDD)}$	delay $V_{MH(off)}$ to $V_{DD(off)}$	note 1	0	ns
$t_{d(VL-VDD)}$	delay $V_{L(off)}$ to $V_{DD(off)}$	note 2	0	ns
$t_{PU(VH-SVM)}$	power-up time $V_{H(on)}$ to SVM inactive	SVM falls to V_{SS}	0	ns
$t_{PU(VMH-SVM)}$	power-up time $V_{MH(on)}$ to SVM inactive	SVM falls to V_{SS}	0	ns
$t_{PU(VL-SVM)}$	power-up time $V_{L(on)}$ to SVM inactive	SVM falls to V_{SS}	0	ns
$t_{rel(RES1-SVM)}$	$\overline{ROWRES1}$ release time to SVM inactive	release $\overline{ROWRES1}$ before making SVM inactive	0	ns
$t_{rel(RES1)}$	$\overline{ROWRES1}$ release time	allow at least one rising RCLK edge before releasing $\overline{ROWRES1}$	50	ns
$t_{rel(RES2)}$	$\overline{ROWRES2}$ release time	define V_M when $\overline{ROWRES2}$ is inactive; note 3	0	ns
$t_{PD(VH)}$	power-down time from SVM active to $V_{H(off)}$		0	ns
$t_{PD(VMH)}$	power-down time from SVM active to $V_{MH(off)}$		0	ns
$t_{PD(VL)}$	power-down time from SVM active to $V_{L(off)}$		0	ns

Notes

1. With no V_H or V_{MH} supply, both pads V_H and V_{MH} are clamped by separate internal diodes to V_{DD} , see Fig.10.
2. When no V_L is supplied, pad V_L is clamped to V_{SS} by a separate internal diode, see Fig.10.
3. When $\overline{ROWRES2}$ is active (at V_{SS}), the level not-selected goes to V_{SS} and pad V_M can be disconnected.

STN RGB - 160 output row driver

PCF8831



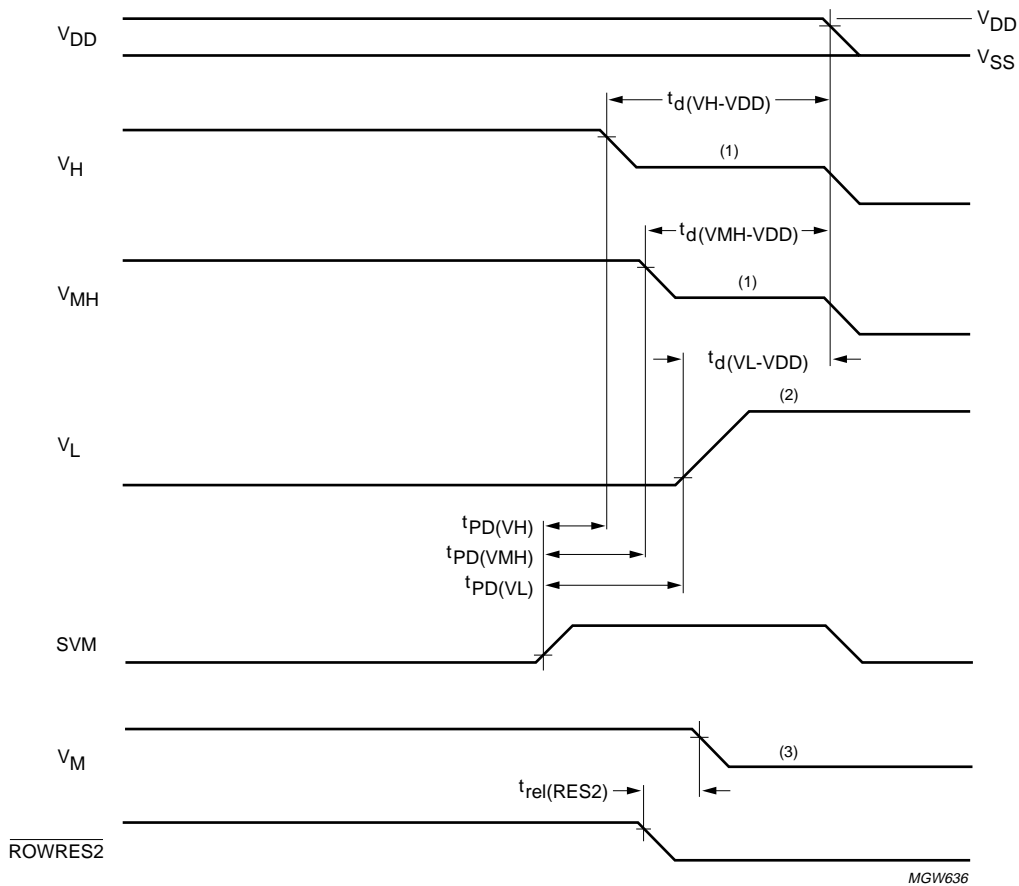
MGW635

- (1) With no V_H or V_{MH} supply, both pads V_H and V_{MH} are clamped by separate internal diodes to V_{DD} ; see Table 2 and Fig.10.
- (2) When no V_L is supplied, pad V_L is clamped to V_{SS} by a separate internal diode; see Table 2 and Fig.10.
- (3) When $\overline{ROWRES2}$ is active (at V_{SS}), the level not-selected goes to V_{SS} and V_M can be disconnected; see Table 2 and Fig.10.

Fig.7 Power-up sequence.

STN RGB - 160 output row driver

PCF8831



- (1) With no V_H or V_{MH} supply, both pads V_H and V_{MH} are clamped by separate internal diodes to V_{DD} ; see Table 2 and Fig.10.
- (2) When no V_L is supplied, pad V_L is clamped to V_{SS} by a separate internal diode; see Table 2 and Fig.10.
- (3) When $\overline{ROWRES2}$ is active (at V_{SS}), the level not-selected goes to V_{SS} and pad V_M can be disconnected; see Table 2 and Fig.10.

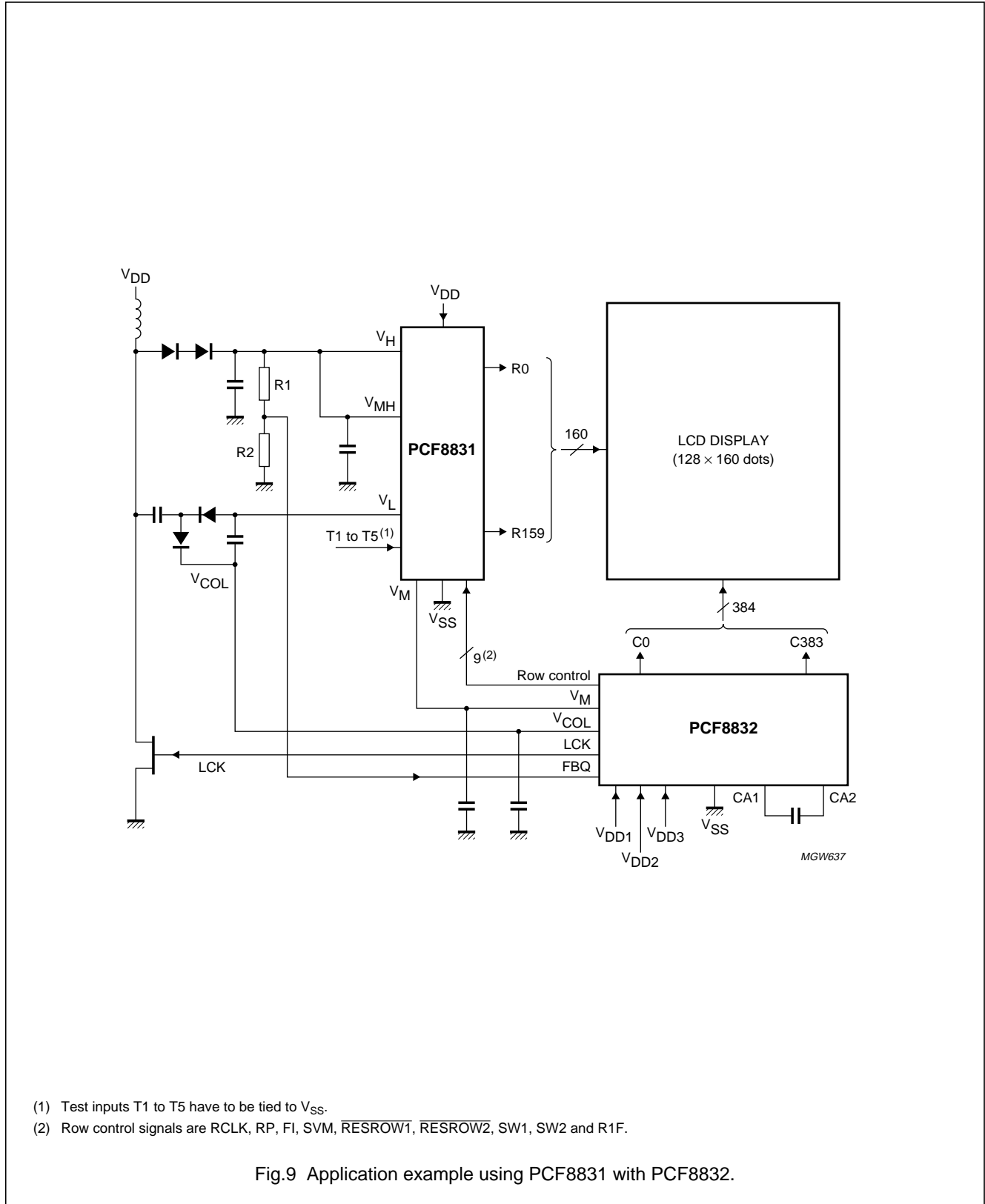
Fig.8 Power-down sequence.

MGW636

STN RGB - 160 output row driver

PCF8831

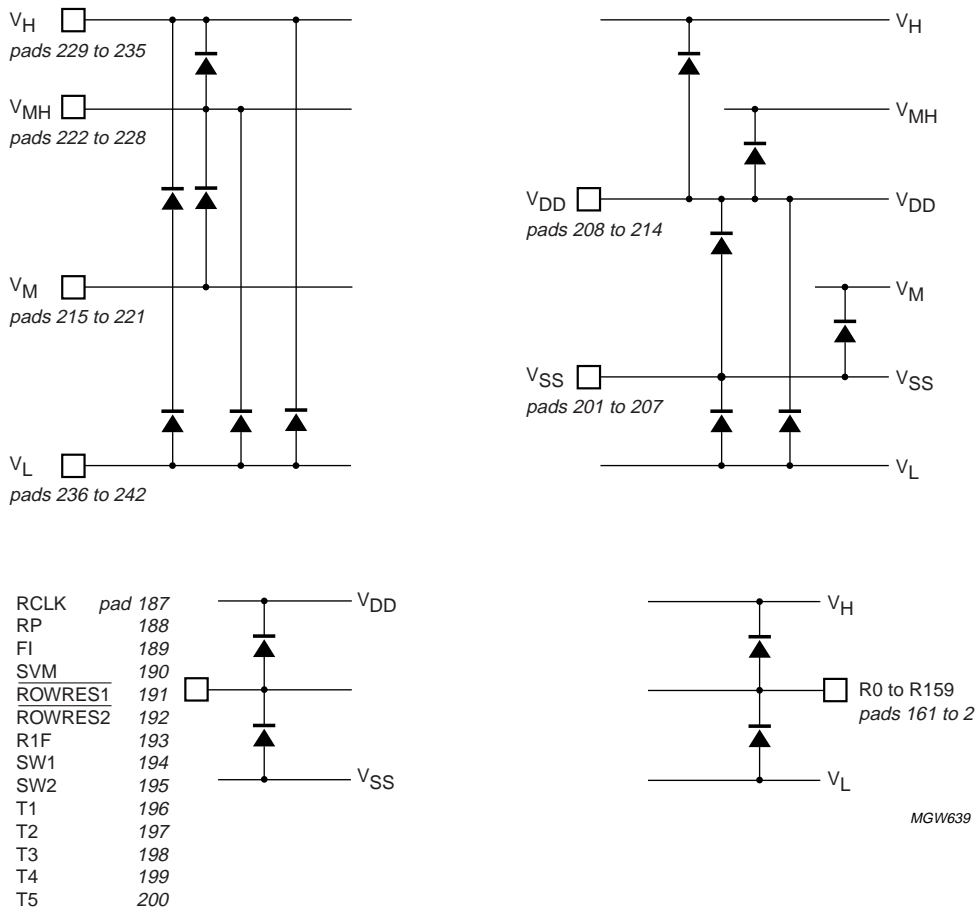
12 APPLICATION INFORMATION



STN RGB - 160 output row driver

PCF8831

13 INTERNAL PROTECTION CIRCUITS



Protection diode maximum forward current = 5 mA.

Fig.10 Protection circuit diagrams.

STN RGB - 160 output row driver

PCF8831

14 BONDING PAD INFORMATION

Table 3 Pad locations

All x and y coordinates are referenced to the centre of the chip (dimensions in μm ; see Fig.13)

SYMBOL	PAD	x	y
Dummy (slanted)	1	-6116.0	-768.0
R159	2	-5984.0	-768.0
R158	3	-5909.0	-768.0
R157	4	-5834.0	-768.0
R156	5	-5759.0	-768.0
R155	6	-5684.0	-768.0
R154	7	-5609.0	-768.0
R153	8	-5534.0	-768.0
R152	9	-5459.0	-768.0
R151	10	-5384.0	-768.0
R150	11	-5309.0	-768.0
R149	12	-5234.0	-768.0
R148	13	-5159.0	-768.0
R147	14	-5084.0	-768.0
R146	15	-5009.0	-768.0
R145	16	-4934.0	-768.0
R144	17	-4859.0	-768.0
R143	18	-4784.0	-768.0
R142	19	-4709.0	-768.0
R141	20	-4634.0	-768.0
R140	21	-4559.0	-768.0
R139	22	-4484.0	-768.0
R138	23	-4409.0	-768.0
R137	24	-4334.0	-768.0
R136	25	-4259.0	-768.0
R135	26	-4184.0	-768.0
R134	27	-4109.0	-768.0
R133	28	-4034.0	-768.0
R132	29	-3959.0	-768.0
R131	30	-3884.0	-768.0
R130	31	-3809.0	-768.0
R129	32	-3734.0	-768.0
R128	33	-3659.0	-768.0
R127	34	-3584.0	-768.0
R126	35	-3509.0	-768.0
R125	36	-3434.0	-768.0

SYMBOL	PAD	x	y
R124	37	-3359.0	-768.0
R123	38	-3284.0	-768.0
R122	39	-3209.0	-768.0
R121	40	-3134.0	-768.0
R120	41	-3059.0	-768.0
R119	42	-2984.0	-768.0
R118	43	-2909.0	-768.0
R117	44	-2834.0	-768.0
R116	45	-2759.0	-768.0
R115	46	-2684.0	-768.0
R114	47	-2609.0	-768.0
R113	48	-2534.0	-768.0
R112	49	-2459.0	-768.0
R111	50	-2384.0	-768.0
R110	51	-2309.0	-768.0
R109	52	-2234.0	-768.0
R108	53	-2159.0	-768.0
R107	54	-2084.0	-768.0
R106	55	-2009.0	-768.0
R105	56	-1934.0	-768.0
R104	57	-1859.0	-768.0
R103	58	-1784.0	-768.0
R102	59	-1709.0	-768.0
R101	60	-1634.0	-768.0
R100	61	-1559.0	-768.0
R99	62	-1484.0	-768.0
R98	63	-1409.0	-768.0
R97	64	-1334.0	-768.0
R96	65	-1259.0	-768.0
R95	66	-1184.0	-768.0
R94	67	-1109.0	-768.0
R93	68	-1034.0	-768.0
R92	69	-959.0	-768.0
R91	70	-884.0	-768.0
R90	71	-809.0	-768.0
R89	72	-734.0	-768.0
R88	73	-659.0	-768.0
R87	74	-584.0	-768.0
R86	75	-509.0	-768.0
R85	76	-434.0	-768.0
R84	77	-359.0	-768.0

STN RGB - 160 output row driver

PCF8831

SYMBOL	PAD	x	y
R83	78	-284.0	-768.0
R82	79	-209.0	-768.0
R81	80	-134.0	-768.0
R80	81	-59.0	-768.0
R79	82	+91.0	-768.0
R78	83	+166.0	-768.0
R77	84	+241.0	-768.0
R76	85	+316.0	-768.0
R75	86	+391.0	-768.0
R74	87	+466.0	-768.0
R73	88	+541.0	-768.0
R72	89	+616.0	-768.0
R71	90	+691.0	-768.0
R70	91	+766.0	-768.0
R69	92	+841.0	-768.0
R68	93	+916.0	-768.0
R67	94	+991.0	-768.0
R66	95	+1066.0	-768.0
R65	96	+1141.0	-768.0
R64	97	+1216.0	-768.0
R63	98	+1291.0	-768.0
R62	99	+1366.0	-768.0
R61	100	+1441.0	-768.0
R60	101	+1516.0	-768.0
R59	102	+1591.0	-768.0
R58	103	+1666.0	-768.0
R57	104	+1741.0	-768.0
R56	105	+1816.0	-768.0
R55	106	+1891.0	-768.0
R54	107	+1966.0	-768.0
R53	108	+2041.0	-768.0
R52	109	+2116.0	-768.0
R51	110	+2191.0	-768.0
R50	111	+2266.0	-768.0
R49	112	+2341.0	-768.0
R48	113	+2416.0	-768.0
R47	114	+2491.0	-768.0
R46	115	+2566.0	-768.0
R45	116	+2641.0	-768.0
R44	117	+2716.0	-768.0
R43	118	+2791.0	-768.0

SYMBOL	PAD	x	y
R42	119	+2866.0	-768.0
R41	120	+2941.0	-768.0
R40	121	+3016.0	-768.0
R39	122	+3091.0	-768.0
R38	123	+3166.0	-768.0
R37	124	+3241.0	-768.0
R36	125	+3316.0	-768.0
R35	126	+3391.0	-768.0
R34	127	+3466.0	-768.0
R33	128	+3541.0	-768.0
R32	129	+3616.0	-768.0
R31	130	+3691.0	-768.0
R30	131	+3766.0	-768.0
R29	132	+3841.0	-768.0
R28	133	+3916.0	-768.0
R27	134	+3991.0	-768.0
R26	135	+4066.0	-768.0
R25	136	+4141.0	-768.0
R24	137	+4216.0	-768.0
R23	138	+4291.0	-768.0
R22	139	+4366.0	-768.0
R21	140	+4441.0	-768.0
R20	141	+4516.0	-768.0
R19	142	+4591.0	-768.0
R18	143	+4666.0	-768.0
R17	144	+4741.0	-768.0
R16	145	+4816.0	-768.0
R15	146	+4891.0	-768.0
R14	147	+4966.0	-768.0
R13	148	+5041.0	-768.0
R12	149	+5116.0	-768.0
R11	150	+5191.0	-768.0
R10	151	+5266.0	-768.0
R9	152	+5341.0	-768.0
R8	153	+5416.0	-768.0
R7	154	+5491.0	-768.0
R6	155	+5566.0	-768.0
R5	156	+5641.0	-768.0
R4	157	+5716.0	-768.0
R3	158	+5791.0	-768.0
R2	159	+5866.0	-768.0

STN RGB - 160 output row driver

PCF8831

SYMBOL	PAD	x	y
R1	160	+5941.0	-768.0
R0	161	+6016.0	-768.0
Dummy	162	+6155.0	-768.0
Dummy	163	6096.5	865.7
Dummy	164	6021.5	865.7
Dummy	165	5796.5	865.7
Dummy	166	5721.5	865.7
Dummy	167	5646.5	865.7
Dummy	168	5571.5	865.7
Dummy	169	5496.5	865.7
Dummy	170	5421.5	865.7
Dummy	171	5346.5	865.7
Dummy	172	5271.5	865.7
Dummy	173	5196.5	865.7
Dummy	174	5121.5	865.7
Dummy	175	5046.5	865.7
Dummy	176	4971.5	865.7
Dummy	177	4896.5	865.7
Dummy	178	4821.5	865.7
Dummy	179	4746.5	865.7
Dummy	180	4671.5	865.7
Dummy	181	4596.5	865.7
Dummy	182	4521.5	865.7
Dummy	183	4446.5	865.7
Dummy	184	3921.5	865.7
Dummy	185	3846.5	865.7
Dummy	186	3771.5	865.7
RCLK	187	3506.0	865.7
RP	188	3350.0	865.7
FI	189	3186.0	865.7
SVM	190	3030.0	865.7
ROWRES1	191	2866.0	865.7
ROWRES2	192	2710.0	865.7
R1F	193	2546.0	865.7
SW1	194	2214.0	865.7
SW2	195	2050.0	865.7
T1	196	1894.0	865.7
T2	197	1730.0	865.7
T3	198	1574.0	865.7
T4	199	1410.0	865.7
T5	200	1254.0	865.7

SYMBOL	PAD	x	y
V _{SS}	201	1139.0	865.7
V _{SS}	202	1064.0	865.7
V _{SS}	203	989.0	865.7
V _{SS}	204	865.0	865.7
V _{SS}	205	790.0	865.7
V _{SS}	206	661.5	865.7
V _{SS}	207	586.5	865.7
V _{DD}	208	326.7	865.7
V _{DD}	209	251.7	865.7
V _{DD}	210	176.7	865.7
V _{DD}	211	101.7	865.7
V _{DD}	212	26.7	865.7
V _{DD}	213	-48.3	+865.7
V _{DD}	214	-123.3	+865.7
V _M	215	-882.9	+865.7
V _M	216	-957.9	+865.7
V _M	217	-1032.9	+865.7
V _M	218	-1107.9	+865.7
V _M	219	-1182.9	+865.7
V _M	220	-1257.9	+865.7
V _M	221	-1332.9	+865.7
V _{MH}	222	-1630.7	+865.7
V _{MH}	223	-1705.7	+865.7
V _{MH}	224	-1780.7	+865.7
V _{MH}	225	-1855.7	+865.7
V _{MH}	226	-1930.7	+865.7
V _{MH}	227	-2005.7	+865.7
V _{MH}	228	-2080.7	+865.7
V _H	229	-2334.3	+865.7
V _H	230	-2409.3	+865.7
V _H	231	-2484.3	+865.7
V _H	232	-2559.3	+865.7
V _H	233	-2634.3	+865.7
V _H	234	-2709.3	+865.7
V _H	235	-2784.3	+865.7
V _L	236	-3013.5	+865.7
V _L	237	-3088.5	+865.7
V _L	238	-3163.5	+865.7
V _L	239	-3238.5	+865.7
V _L	240	-3313.5	+865.7
V _L	241	-3388.5	+865.7

STN RGB - 160 output row driver

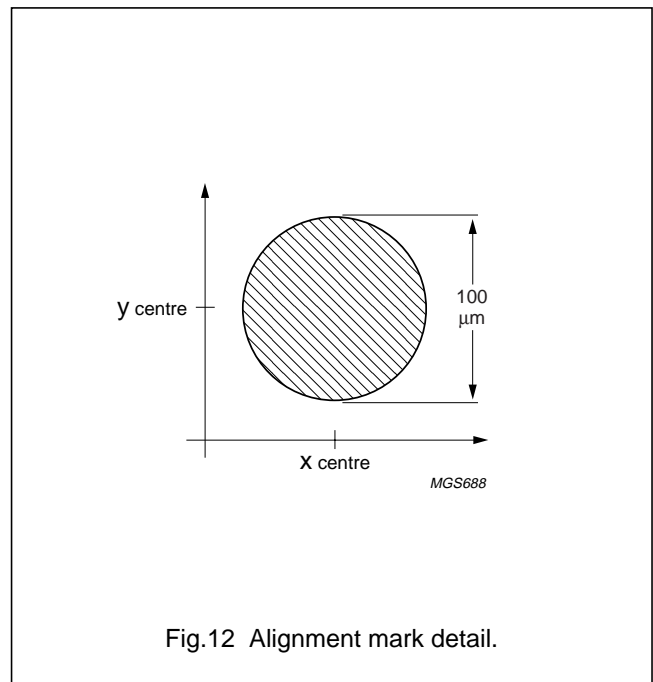
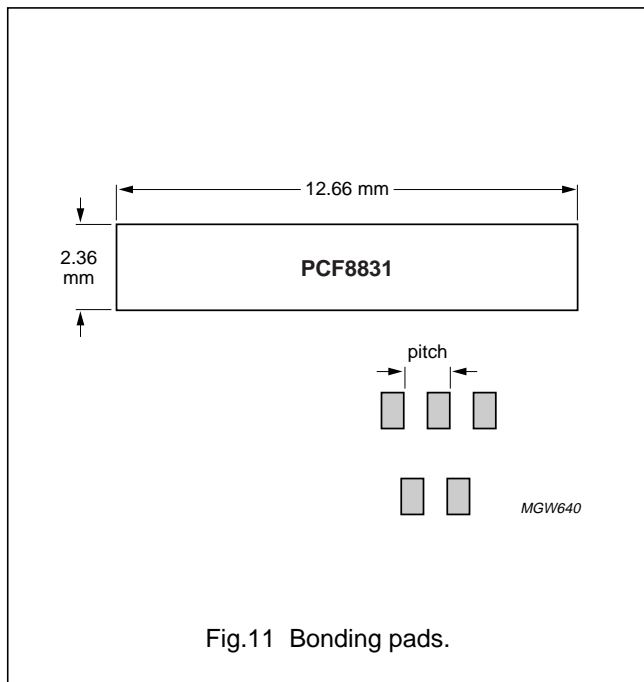
PCF8831

SYMBOL	PAD	x	y
V _L	242	-3463.5	+865.7
Dummy	243	-3728.5	+865.7
Dummy	244	-3803.5	+865.7
Dummy	245	-3878.5	+865.7
Dummy	246	-3953.5	+865.7
Dummy	247	-4103.5	+865.7
Dummy	248	-4178.5	+865.7
Dummy	249	-4253.5	+865.7
Dummy	250	-4328.5	+865.7
Dummy	251	-4403.5	+865.7
Dummy	252	-4478.5	+865.7
Dummy	253	-4553.5	+865.7
Dummy	254	-4628.5	+865.7
Dummy	255	-4703.5	+865.7
Dummy	256	-4778.5	+865.7
Dummy	257	-4853.5	+865.7
Dummy	258	-4928.5	+865.7
Dummy	259	-5003.5	+865.7
Dummy	260	-5078.5	+865.7
Dummy	261	-5153.5	+865.7
Dummy	262	-5228.5	+865.7

SYMBOL	PAD	x	y
Dummy	263	-5303.5	+865.7
Dummy	264	-5378.5	+865.7
Dummy	265	-5453.5	+865.7
Dummy	266	-5528.5	+865.7
Dummy	267	-5603.5	+865.7
Dummy	268	-5678.5	+865.7
Dummy	269	-5753.5	+865.7
Dummy	270	-5978.5	+865.7
Dummy	271	-6053.5	+865.7
Dummy	272	-6128.5	+865.7
Alignment marks (see Fig.12)			
Alignment circle 1		5909.0	865.7
Alignment circle 2		-5866.0	+865.7

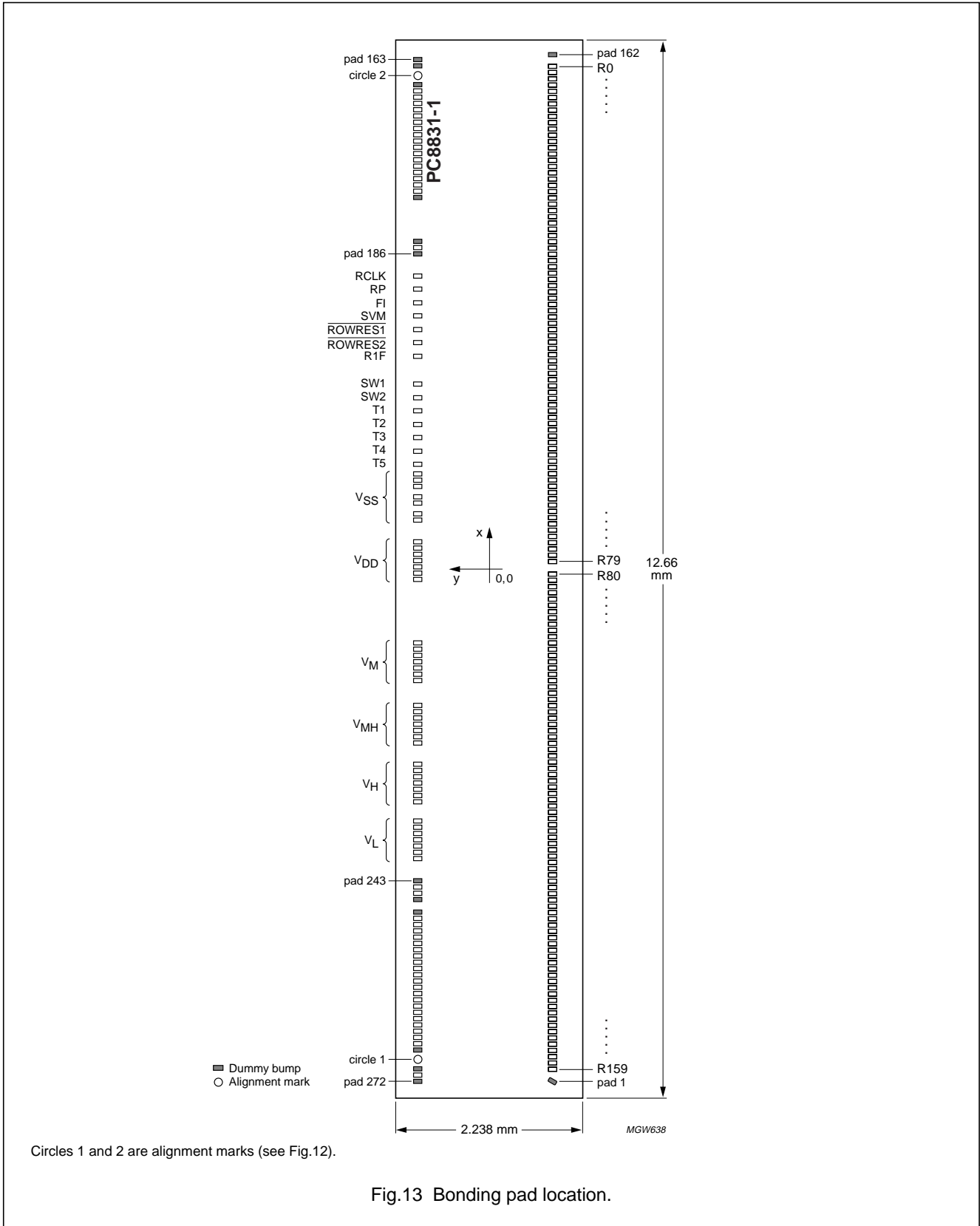
Table 4 Bonding pad dimensions

PAD	SIZE	UNIT
Minimum pad pitch	75	µm
Pad size; aluminium	tbf	µm
Bump dimensions	50 × 80 × 17.5 (±5)	µm
Wafer thickness (excluding bumps)	381	µm



STN RGB - 160 output row driver

PCF8831



STN RGB - 160 output row driver

PCF8831

15 TRAY INFORMATION

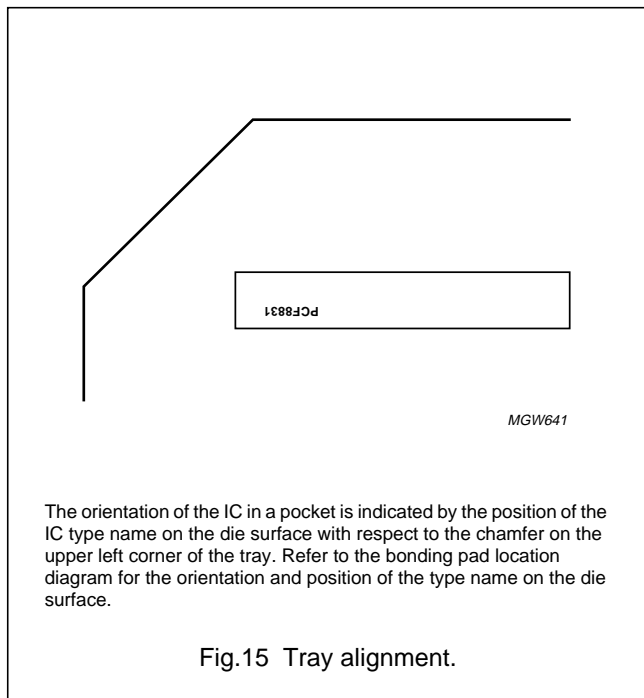
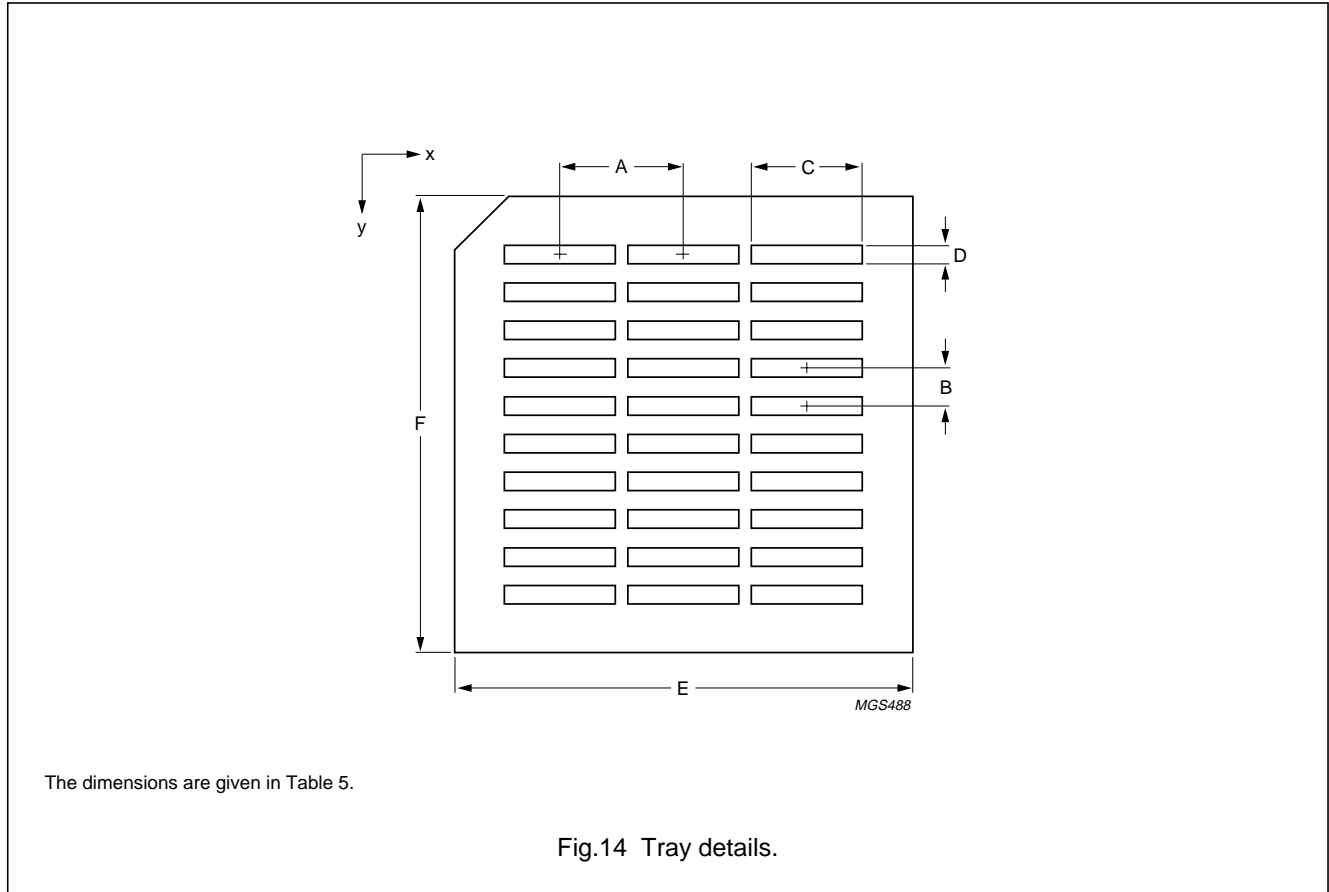


Table 5 Tray dimensions

DIMENSIONS	DESCRIPTION	VALUE
A	pocket pitch, x direction	14.86 mm
B	pocket pitch, y direction	4.45 mm
C	pocket width, x direction	12.76 mm
D	pocket width, y direction	2.34 mm
E	tray width, x direction	50.8 mm
F	tray width, y direction	50.8 mm
-	number of pockets in x direction	3
-	number of pockets in y direction	10

STN RGB - 160 output row driver

PCF8831

16 DATA SHEET STATUS

DATA SHEET STATUS ⁽¹⁾	PRODUCT STATUS ⁽²⁾	DEFINITIONS
Objective data	Development	This data sheet contains data from the objective specification for product development. Philips Semiconductors reserves the right to change the specification in any manner without notice.
Preliminary data	Qualification	This data sheet contains data from the preliminary specification. Supplementary data will be published at a later date. Philips Semiconductors reserves the right to change the specification without notice, in order to improve the design and supply the best possible product.
Product data	Production	This data sheet contains data from the product specification. Philips Semiconductors reserves the right to make changes at any time in order to improve the design, manufacturing and supply. Changes will be communicated according to the Customer Product/Process Change Notification (CPCN) procedure SNW-SQ-650A.

Notes

1. Please consult the most recently issued data sheet before initiating or completing a design.
2. The product status of the device(s) described in this data sheet may have changed since this data sheet was published. The latest information is available on the Internet at URL <http://www.semiconductors.philips.com>.

17 DEFINITIONS

Short-form specification — The data in a short-form specification is extracted from a full data sheet with the same type number and title. For detailed information see the relevant data sheet or data handbook.

Limiting values definition — Limiting values given are in accordance with the Absolute Maximum Rating System (IEC 60134). Stress above one or more of the limiting values may cause permanent damage to the device. These are stress ratings only and operation of the device at these or at any other conditions above those given in the Characteristics sections of the specification is not implied. Exposure to limiting values for extended periods may affect device reliability.

Application information — Applications that are described herein for any of these products are for illustrative purposes only. Philips Semiconductors make no representation or warranty that such applications will be suitable for the specified use without further testing or modification.

18 DISCLAIMERS

Life support applications — These products are not designed for use in life support appliances, devices, or systems where malfunction of these products can reasonably be expected to result in personal injury. Philips Semiconductors customers using or selling these products

for use in such applications do so at their own risk and agree to fully indemnify Philips Semiconductors for any damages resulting from such application.

Right to make changes — Philips Semiconductors reserves the right to make changes, without notice, in the products, including circuits, standard cells, and/or software, described or contained herein in order to improve design and/or performance. Philips Semiconductors assumes no responsibility or liability for the use of any of these products, conveys no licence or title under any patent, copyright, or mask work right to these products, and makes no representations or warranties that these products are free from patent, copyright, or mask work right infringement, unless otherwise specified.

Bare die — All die are tested and are guaranteed to comply with all data sheet limits up to the point of wafer sawing for a period of ninety (90) days from the date of Philips' delivery. If there are data sheet limits not guaranteed, these will be separately indicated in the data sheet. There are no post packing tests performed on individual die or wafer. Philips Semiconductors has no control of third party procedures in the sawing, handling, packing or assembly of the die. Accordingly, Philips Semiconductors assumes no liability for device functionality or performance of the die or systems after third party sawing, handling, packing or assembly of the die. It is the responsibility of the customer to test and qualify their application in which the die is used.

STN RGB - 160 output row driver

PCF8831

NOTES

STN RGB - 160 output row driver

PCF8831

NOTES

STN RGB - 160 output row driver

PCF8831

NOTES

Philips Semiconductors – a worldwide company

Contact information

For additional information please visit <http://www.semiconductors.philips.com>. Fax: +31 40 27 24825

For sales offices addresses send e-mail to: sales.addresses@www.semiconductors.philips.com.

© Koninklijke Philips Electronics N.V. 2002

SCA74

All rights are reserved. Reproduction in whole or in part is prohibited without the prior written consent of the copyright owner.

The information presented in this document does not form part of any quotation or contract, is believed to be accurate and reliable and may be changed without notice. No liability will be accepted by the publisher for any consequence of its use. Publication thereof does not convey nor imply any license under patent- or other industrial or intellectual property rights.

Printed in The Netherlands

403512/01/pp28

Date of release: 2002 Aug 14

Document order number: 9397 750 09145

Let's make things better.

**Philips
Semiconductors**



PHILIPS