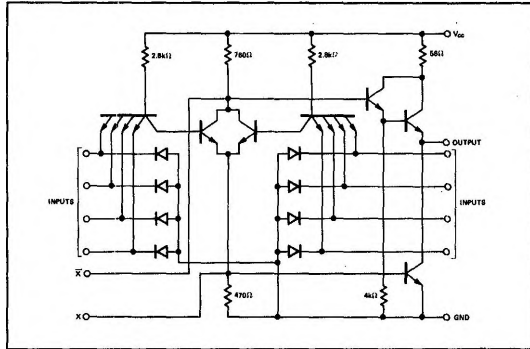


S54H55—A,F,W • N74H55—A,F

DIGITAL 54/74 TTL SERIES

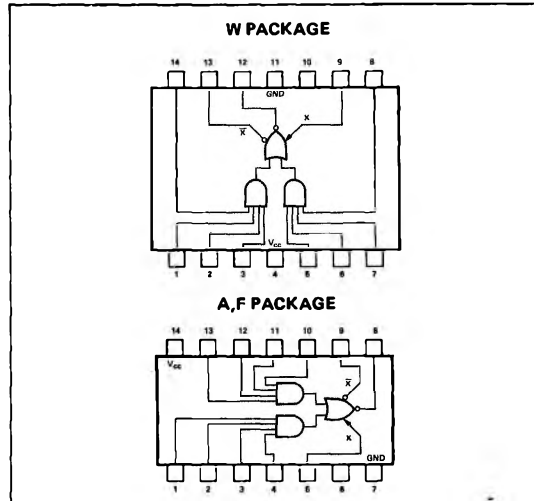
SCHEMATIC DIAGRAM



NOTES:

1. Component values shown are nominal.
2. Both expander inputs are used simultaneously for expanding.
3. If expander is not used, leave X and X pins open.
4. A total of four S54H60/N74H60 expander gates or one S54H62/N74H62 expander gate may be connected to the expander inputs.

PIN CONFIGURATIONS



RECOMMENDED OPERATING CONDITIONS

	MIN	NOM	MAX	UNIT
Supply Voltage V_{CC} : S54H55 Circuits	4.5	5	5.5	V
N74H55 Circuits	4.75	5	5.25	V
Normalized Fan-Out from each Output, N			10	
Operating Free-Air Temperature Range, T_A : S54H55 Circuits	-55	25	125	$^{\circ}\text{C}$
N74H55 Circuits	0	25	70	$^{\circ}\text{C}$

ELECTRICAL CHARACTERISTICS (over recommended operating free-air temperature range unless otherwise noted)

PARAMETER	TEST CONDITIONS*	MIN	TYP†	MAX	UNIT
$V_{in(1)}$	Logical 1 input voltage required at all input terminals of either AND section to ensure logical 0 at output	$V_{CC} = \text{MIN}$	2		V
$V_{in(0)}$	Logical 0 input voltage required at one input terminal of each AND section to ensure logical 1 at output	$V_{CC} = \text{MIN}$		0.8	V
$V_{out(1)}$	Logical 1 output voltage	$V_{CC} = \text{MIN}$, $I_{load} = -500\mu\text{A}$	2.4		V
$V_{out(0)}$	Logical 0 output voltage	$V_{CC} = \text{MIN}$, $I_{sink} = 20\text{mA}$		0.4	V
$I_{in(0)}$	Logical 0 level input current (each input)	$V_{CC} = \text{MAX}$, $V_{in} = 0.4\text{V}$		-2	mA
$I_{in(1)}$	Logical 1 level input current (each input)	$V_{CC} = \text{MAX}$, $V_{CC} = \text{MAX}$, $V_{CC} = \text{MAX}$, $V_{in} = 2.4\text{V}$, $V_{in} = 5.5\text{V}$		50 1	μA mA
I_{OS}	Short circuit output current**	$V_{CC} = \text{MAX}$	-40	-100	mA
$I_{CC(0)}$	Logical 0 level supply current	$V_{CC} = \text{MAX}$, $V_{in} = 4.5\text{V}$	7.5	12	mA
$I_{CC(1)}$	Logical 1 level supply current	$V_{CC} = \text{MAX}$, $V_{in} = 0$	4.5	6.4	mA

DIGITAL 54/74 TTL SERIES ■ S54H55, N74H55

ELECTRICAL CHARACTERISTICS (S54H55 circuits only) using expander inputs, $V_{CC} = 4.5V$, $T_A = -55^\circ C$

PARAMETER		TEST CONDITIONS			MIN	TYP	MAX	UNIT
$I_{in\bar{X}}$	Expander-node input current	$V_{\bar{X}} = 1.4V$					-5.85	mA
$V_{BE(Q)}$	Base-emitter voltage of output transistor Q	$I_{sink} = 20mA$,	$I_1 = 700\mu A$,	$R_1 = 0$			1	V
$V_{out(1)}$	Logical 1 output voltage	$I_{load} = -500\mu A$, $I_2 = -320\mu A$	$I_1 = 320\mu A$,		2.4			V
$V_{out(0)}$	Logical 0 output voltage	$I_{sink} = 20mA$,	$I_1 = 470\mu A$,	$R_1 = 68\Omega$			0.4	V

ELECTRICAL CHARACTERISTICS (N74H55 circuits only) using expander inputs, $V_{CC} = 4.75V$, $T_A = 0^\circ C$

PARAMETER		TEST CONDITIONS			MIN	TYP	MAX	UNIT
$I_{in\bar{X}}$	Expander-node input current	$V_{\bar{X}} = 1.4V$					-6.3	mA
$V_{BE(Q)}$	Base-emitter voltage of output transistor Q	$I_{sink} = 20mA$,	$I_1 = 1.1mA$,	$R_1 = 0$			1	V
$V_{out(1)}$	Logical 1 output voltage	$I_{load} = -500\mu A$, $I_2 = -570\mu A$	$I_1 = 570\mu A$,		2.4			V
$V_{out(0)}$	Logical 0 output voltage	$I_{sink} = 20mA$,	$I_1 = 600\mu A$,	$R_1 = 63\Omega$			0.4	V

SWITCHING CHARACTERISTICS, $V_{CC} = 5V$, $T_A = 25^\circ C$, $N = 10$, expander pins are open

PARAMETER		TEST CONDITIONS		MIN	TYP	MAX	UNIT
t_{pd0}	Propagation delay time to logical 0 level	$C_L = 25pF$,	$R_L = 280\Omega$		6.5	11	ns
t_{pd1}	Propagation delay time to logical 1 level	$C_L = 25pF$,	$R_L = 280\Omega$		7	11	ns

SWITCHING CHARACTERISTICS, $V_{CC} = 5V$, $T_A = 25^\circ C$, $N = 10$, $C_X = 15pF$

PARAMETER		TEST CONDITIONS		MIN	TYP	MAX	UNIT
t_{pd0}	Propagation delay time to logical 0 level	$C_L = 25pF$,	$R_L = 280\Omega$		7.7		ns
t_{pd1}	Propagation delay time to logical 1 level	$C_L = 25pF$,	$R_L = 280\Omega$		11.4		ns

* For conditions shown as MIN or MAX, use the appropriate value specified under recommended operating conditions for the applicable device type. Expander pins are open.

** Duration of short circuit test should not exceed 1 second.

† All typical values are at $V_{CC} = 5V$, $T_A = 25^\circ C$.