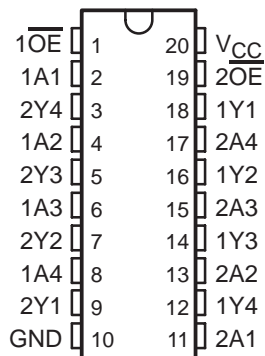


# SN64BCT2240 OCTAL BUFFER AND LINE/MOS DRIVER WITH 3-STATE OUTPUTS

SCBS091A – JUNE 1990 – REVISED NOVEMBER 1993

- State-of-the-Art BiCMOS Design Significantly Reduces  $I_{CCZ}$
- ESD Protection Exceeds 2000 V Per MIL-STD-883C, Method 3015; Exceeds 200 V Using Machine Model (C = 200 pF, R = 0)
- Output Ports Have Equivalent 33- $\Omega$  Series Resistors, So No External Resistors Are Required
- High-Impedance State During Power Up and Power Down
- 3-State Buffer-Type Outputs Drive Bus Lines Directly
- Package Options Include Plastic Small-Outline (DW) Packages and Standard Plastic 300-mil DIPs (N)

DW OR N PACKAGE  
(TOP VIEW)



## description

The SN64BCT2240 is an inverting octal buffer and line/MOS driver designed specifically to improve both the performance and density of 3-state memory address drivers, clock drivers, and bus-oriented receivers and transmitters. Taken together with the SN64BCT2241 and SN64BCT2244, these devices provide the choice of selected combinations of inverting outputs, symmetrical  $\overline{OE}$  (active-low output-enable) inputs, and complementary OE and  $\overline{OE}$  inputs. These devices feature high fan-out and improved fan-in.

When the output-enable ( $1\overline{OE}$  and  $2\overline{OE}$ ) inputs are low, the Y outputs reflect the inverse of the data present at the A inputs. When  $1\overline{OE}$  and  $2\overline{OE}$  are high, the outputs are in the high-impedance state. Output-enable  $1\overline{OE}$  affects only the 1Y outputs; output-enable  $2\overline{OE}$  affects only the 2Y outputs.

The outputs, which are designed to source or sink up to 12 mA, include 33- $\Omega$  series resistors to reduce overshoot and undershoot.

The SN64BCT2240 is characterized for operation from  $-40^{\circ}\text{C}$  to  $85^{\circ}\text{C}$  and  $0^{\circ}\text{C}$  to  $70^{\circ}\text{C}$ .

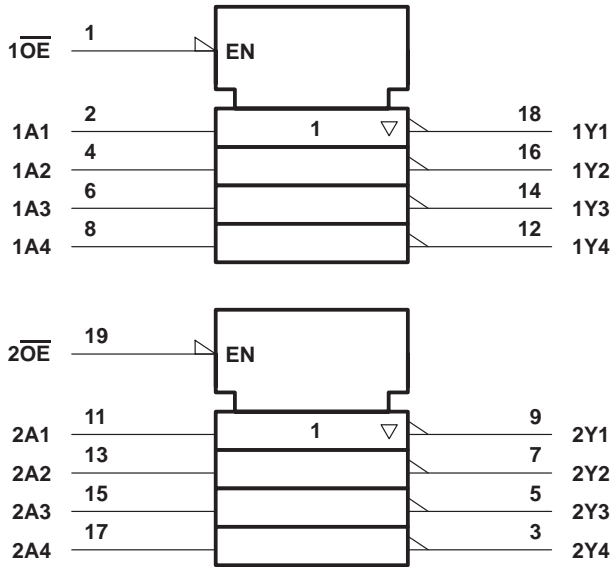
FUNCTION TABLE  
(each buffer)

INPUTS		OUTPUT
$\overline{OE}$	A	Y
L	H	L
L	L	H
H	X	Z

# SN64BCT2240 OCTAL BUFFER AND LINE/MOS DRIVER WITH 3-STATE OUTPUTS

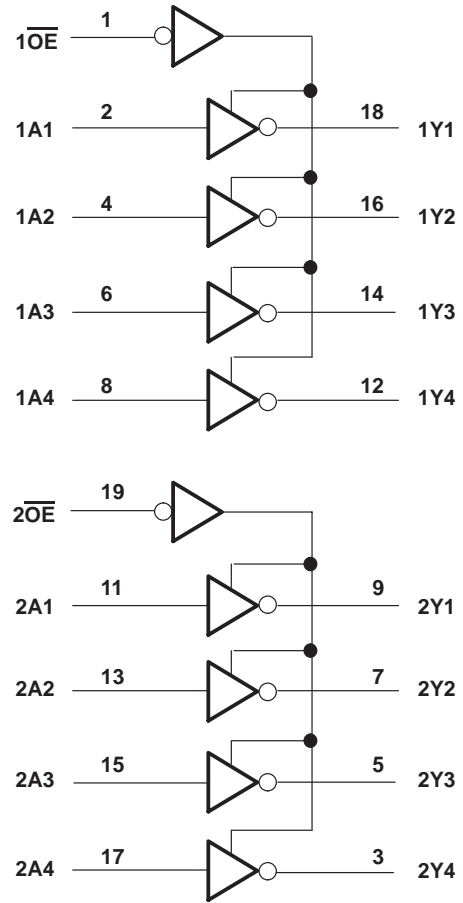
SCBS091A - JUNE 1990 - REVISED NOVEMBER 1993

## logic symbol†

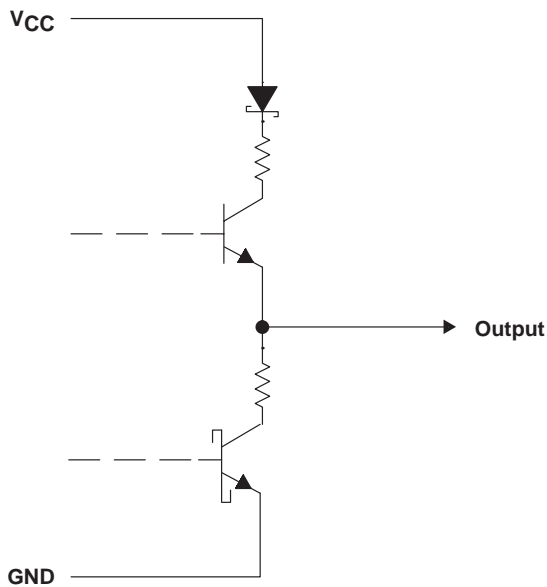


† This symbol is in accordance with ANSI/IEEE Std 91-1984 and IEC Publication 617-12.

## logic diagram (positive logic)



## schematic of Y outputs



# SN64BCT2240

## OCTAL BUFFER AND LINE/MOS DRIVER WITH 3-STATE OUTPUTS

SCBS091A – JUNE 1990 – REVISED NOVEMBER 1993

### absolute maximum ratings over operating free-air temperature range (unless otherwise noted)†

Supply voltage range, $V_{CC}$ .....	–0.5 V to 7 V
Input voltage range, $V_I$ (see Note 1) .....	–0.5 V to 7 V
Voltage range applied to any output in the disabled or power-off state, $V_O$ .....	–0.5 V to 5.5 V
Voltage range applied to any output in the high state, $V_O$ .....	–0.5 V to $V_{CC}$
Input clamp current, $I_{IK}$ ( $V_I < 0$ ) .....	–30 mA
Current into any output in the low state, $I_O$ .....	60 mA
Operating free-air temperature range .....	–40°C to 85°C
Storage temperature range .....	–65°C to 150°C

† Stresses beyond those listed under “absolute maximum ratings” may cause permanent damage to the device. These are stress ratings only, and functional operation of the device at these or any other conditions beyond those indicated under “recommended operating conditions” is not implied. Exposure to absolute-maximum-rated conditions for extended periods may affect device reliability.

NOTE 1: The input and output negative-voltage ratings may be exceeded if the input and output clamp-current ratings are observed.

### recommended operating conditions (see Note 2)

		MIN	NOM	MAX	UNIT
$V_{CC}$	Supply voltage	4.5	5	5.5	V
$V_{IH}$	High-level input voltage	2			V
$V_{IL}$	Low-level input voltage			0.8	V
$I_{IK}$	Input clamp current			–18	mA
$I_{OH}$	High-level output current			–12	mA
$I_{OL}$	Low-level output current			12	mA
$\Delta t/\Delta V_{CC}$	Power-up ramp rate	2			$\mu\text{s}/\text{V}$
$T_A$	Operating free-air temperature	–40		85	°C

NOTE 2: Unused or floating inputs must be held high or low.

### electrical characteristics over recommended operating free-air temperature range (unless otherwise noted)

PARAMETER	TEST CONDITIONS	MIN	TYP‡	MAX	UNIT
$V_{IK}$	$V_{CC} = 4.5 \text{ V}$ , $I_I = -18 \text{ mA}$			–1.2	V
$V_{OH}$	$V_{CC} = 4.5 \text{ V}$	$I_{OH} = -1 \text{ mA}$	2.4	3.3	V
		$I_{OH} = -12 \text{ mA}$	2	3.1	
$V_{OL}$	$V_{CC} = 4.5 \text{ V}$	$I_{OL} = 1 \text{ mA}$		0.15	V
		$I_{OL} = 12 \text{ mA}$		0.8	
$I_I$	$V_{CC} = 5.5 \text{ V}$ , $V_I = 7 \text{ V}$			0.1	mA
$I_{IH}$	$V_{CC} = 5.5 \text{ V}$ , $V_I = 2.7 \text{ V}$			20	$\mu\text{A}$
$I_{IL}$	$V_{CC} = 5.5 \text{ V}$ , $V_I = 0.5 \text{ V}$			–1	mA
$I_{OZ}$	$V_{CC} = 0$ to 2.3 V (power up) $V_{CC} = 1.8 \text{ V}$ to 0 (power down) $V_O = 2.7 \text{ V}$ or 0.5 V, $\overline{OE} = 0.8 \text{ V}$			$\pm 50$	$\mu\text{A}$
				$\pm 50$	
$I_{OZH}$	$V_{CC} = 5.5 \text{ V}$ , $V_O = 2.7 \text{ V}$			50	$\mu\text{A}$
$I_{OZL}$	$V_{CC} = 5.5 \text{ V}$ , $V_O = 0.5 \text{ V}$			–50	$\mu\text{A}$
$I_{OS}^{\S}$	$V_{CC} = 5.5 \text{ V}$ , $V_O = 0$	–100		–225	mA
$I_{CCL}$	$V_{CC} = 5.5 \text{ V}$ , Outputs open		46	76	mA
$I_{CCH}$	$V_{CC} = 5.5 \text{ V}$ , Outputs open		19	32	mA
$I_{CCZ}$	$V_{CC} = 5.5 \text{ V}$ , Outputs open		6	8	mA
$C_i$	$V_{CC} = 5 \text{ V}$ , $V_I = V_{CC}$ or GND		6		pF
$C_o$	$V_{CC} = 5 \text{ V}$ , $V_O = V_{CC}$ or GND		11		pF

‡ All typical values are at  $V_{CC} = 5 \text{ V}$ ,  $T_A = 25^\circ\text{C}$ .

§ Not more than one output should be tested at a time, and the duration of the test should not exceed one second.



**SN64BCT2240**  
**OCTAL BUFFER AND LINE/MOS DRIVER**  
**WITH 3-STATE OUTPUTS**

SCBS091A – JUNE 1990 – REVISED NOVEMBER 1993

switching characteristics over recommended range of supply voltage,  $C_L = 50$  pF (unless otherwise noted) (see Note 3)

PARAMETER	FROM (INPUT)	TO (OUTPUT)	$V_{CC} = 5$ V, $T_A = 25^\circ\text{C}$			$T_A = -40^\circ\text{C}$ to $85^\circ\text{C}$		$T_A = 0^\circ\text{C}$ to $70^\circ\text{C}$		UNIT
			MIN	TYP	MAX	MIN	MAX	MIN	MAX	
$t_{PLH}$	A	Y	0.5	3.4	4.8	0.5	6.3	0.5	5.7	ns
$t_{PHL}$			0.5	2.8	4	0.5	4.6	0.5	4.4	
$t_{PZH}$	$\overline{OE}$	Y	2.6	6.2	8.2	2.6	10.1	2.6	9.3	ns
$t_{PZL}$			4.3	8.8	10.9	4.3	12.9	4.3	12.4	
$t_{PHZ}$	$\overline{OE}$	Y	2	5.3	7.1	2	9.2	2	8.7	ns
$t_{PLZ}$			2.2	6.7	8.5	2.2	12.2	2.2	10.6	

NOTE 3: Load circuits and voltage waveforms are shown in Section 1.



## IMPORTANT NOTICE

Texas Instruments Incorporated and its subsidiaries (TI) reserve the right to make corrections, modifications, enhancements, improvements, and other changes to its products and services at any time and to discontinue any product or service without notice. Customers should obtain the latest relevant information before placing orders and should verify that such information is current and complete. All products are sold subject to TI's terms and conditions of sale supplied at the time of order acknowledgment.

TI warrants performance of its hardware products to the specifications applicable at the time of sale in accordance with TI's standard warranty. Testing and other quality control techniques are used to the extent TI deems necessary to support this warranty. Except where mandated by government requirements, testing of all parameters of each product is not necessarily performed.

TI assumes no liability for applications assistance or customer product design. Customers are responsible for their products and applications using TI components. To minimize the risks associated with customer products and applications, customers should provide adequate design and operating safeguards.

TI does not warrant or represent that any license, either express or implied, is granted under any TI patent right, copyright, mask work right, or other TI intellectual property right relating to any combination, machine, or process in which TI products or services are used. Information published by TI regarding third-party products or services does not constitute a license from TI to use such products or services or a warranty or endorsement thereof. Use of such information may require a license from a third party under the patents or other intellectual property of the third party, or a license from TI under the patents or other intellectual property of TI.

Reproduction of TI information in TI data books or data sheets is permissible only if reproduction is without alteration and is accompanied by all associated warranties, conditions, limitations, and notices. Reproduction of this information with alteration is an unfair and deceptive business practice. TI is not responsible or liable for such altered documentation. Information of third parties may be subject to additional restrictions.

Resale of TI products or services with statements different from or beyond the parameters stated by TI for that product or service voids all express and any implied warranties for the associated TI product or service and is an unfair and deceptive business practice. TI is not responsible or liable for any such statements.

TI products are not authorized for use in safety-critical applications (such as life support) where a failure of the TI product would reasonably be expected to cause severe personal injury or death, unless officers of the parties have executed an agreement specifically governing such use. Buyers represent that they have all necessary expertise in the safety and regulatory ramifications of their applications, and acknowledge and agree that they are solely responsible for all legal, regulatory and safety-related requirements concerning their products and any use of TI products in such safety-critical applications, notwithstanding any applications-related information or support that may be provided by TI. Further, Buyers must fully indemnify TI and its representatives against any damages arising out of the use of TI products in such safety-critical applications.

TI products are neither designed nor intended for use in military/aerospace applications or environments unless the TI products are specifically designated by TI as military-grade or "enhanced plastic." Only products designated by TI as military-grade meet military specifications. Buyers acknowledge and agree that any such use of TI products which TI has not designated as military-grade is solely at the Buyer's risk, and that they are solely responsible for compliance with all legal and regulatory requirements in connection with such use.

TI products are neither designed nor intended for use in automotive applications or environments unless the specific TI products are designated by TI as compliant with ISO/TS 16949 requirements. Buyers acknowledge and agree that, if they use any non-designated products in automotive applications, TI will not be responsible for any failure to meet such requirements.

Following are URLs where you can obtain information on other Texas Instruments products and application solutions:

### Products

Amplifiers	<a href="http://amplifier.ti.com">amplifier.ti.com</a>
Data Converters	<a href="http://dataconverter.ti.com">dataconverter.ti.com</a>
DLP® Products	<a href="http://www.dlp.com">www.dlp.com</a>
DSP	<a href="http://dsp.ti.com">dsp.ti.com</a>
Clocks and Timers	<a href="http://www.ti.com/clocks">www.ti.com/clocks</a>
Interface	<a href="http://interface.ti.com">interface.ti.com</a>
Logic	<a href="http://logic.ti.com">logic.ti.com</a>
Power Mgmt	<a href="http://power.ti.com">power.ti.com</a>
Microcontrollers	<a href="http://microcontroller.ti.com">microcontroller.ti.com</a>
RFID	<a href="http://www.ti-rfid.com">www.ti-rfid.com</a>
RF/IF and ZigBee® Solutions	<a href="http://www.ti.com/lprf">www.ti.com/lprf</a>

### Applications

Audio	<a href="http://www.ti.com/audio">www.ti.com/audio</a>
Automotive	<a href="http://www.ti.com/automotive">www.ti.com/automotive</a>
Broadband	<a href="http://www.ti.com/broadband">www.ti.com/broadband</a>
Digital Control	<a href="http://www.ti.com/digitalcontrol">www.ti.com/digitalcontrol</a>
Medical	<a href="http://www.ti.com/medical">www.ti.com/medical</a>
Military	<a href="http://www.ti.com/military">www.ti.com/military</a>
Optical Networking	<a href="http://www.ti.com/opticalnetwork">www.ti.com/opticalnetwork</a>
Security	<a href="http://www.ti.com/security">www.ti.com/security</a>
Telephony	<a href="http://www.ti.com/telephony">www.ti.com/telephony</a>
Video & Imaging	<a href="http://www.ti.com/video">www.ti.com/video</a>
Wireless	<a href="http://www.ti.com/wireless">www.ti.com/wireless</a>

Mailing Address: Texas Instruments, Post Office Box 655303, Dallas, Texas 75265  
Copyright © 2009, Texas Instruments Incorporated