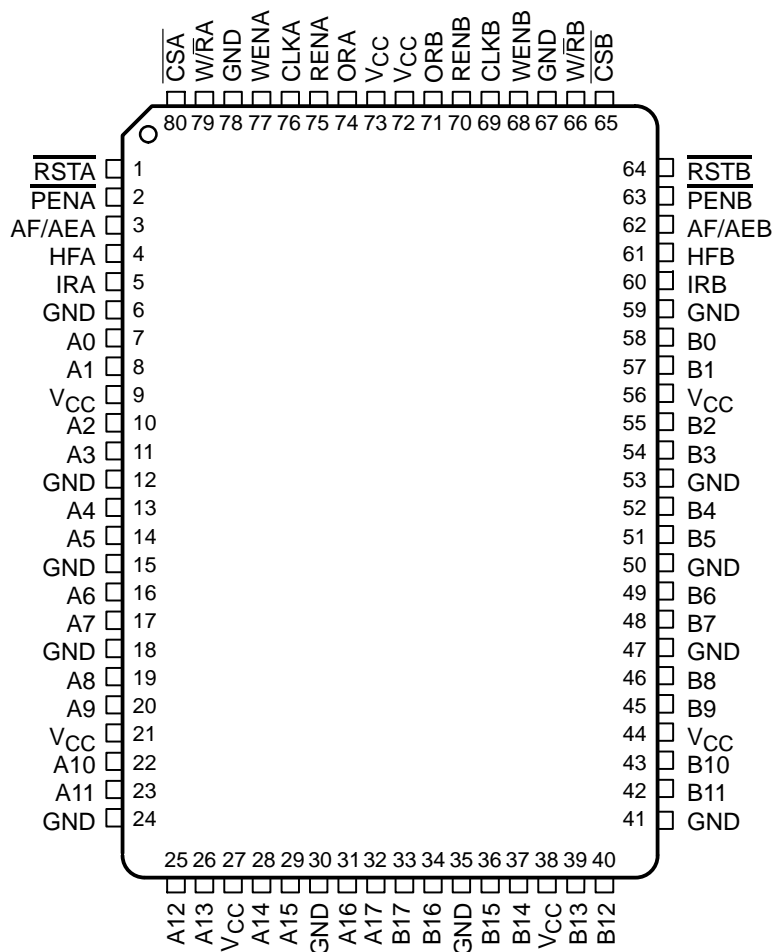


CLOCKED BIDIRECTIONAL FIRST-IN, FIRST-OUT MEMORY

SCBS756 – MAY 2002

- Member of the Texas Instruments Widebus™ Family
- Free-Running CLKA and CLKB Can Be Asynchronous or Coincident
- Read and Write Operations Synchronized to Independent System Clocks
- Two Separate 512 × 18 Clocked FIFOs Buffering Data in Opposite Directions
- IRA and ORA Synchronized to CLKA
- IRB and ORB Synchronized to CLKB
- Microprocessor Interface Control Logic
- Programmable Almost-Full/Almost-Empty Flag
- Fast Access Times of 9 ns With a 50-pF Load and Simultaneous Switching Data Outputs
- Data Rates up to 100 MHz
- Advanced BiCMOS Technology
- Package Options Include 80-Pin Plastic Quad Flatpack (PH) and 80-Pin Thin Plastic Quad Flatpack (PN)

PH PACKAGE
(TOP VIEW)



Please be aware that an important notice concerning availability, standard warranty, and use in critical applications of Texas Instruments semiconductor products and disclaimers thereto appears at the end of this data sheet.

Widebus is a trademark of Texas Instruments.

PRODUCTION DATA information is current as of publication date. Products conform to specifications per the terms of Texas Instruments standard warranty. Production processing does not necessarily include testing of all parameters.



POST OFFICE BOX 655303 • DALLAS, TEXAS 75265

Copyright © 2002, Texas Instruments Incorporated

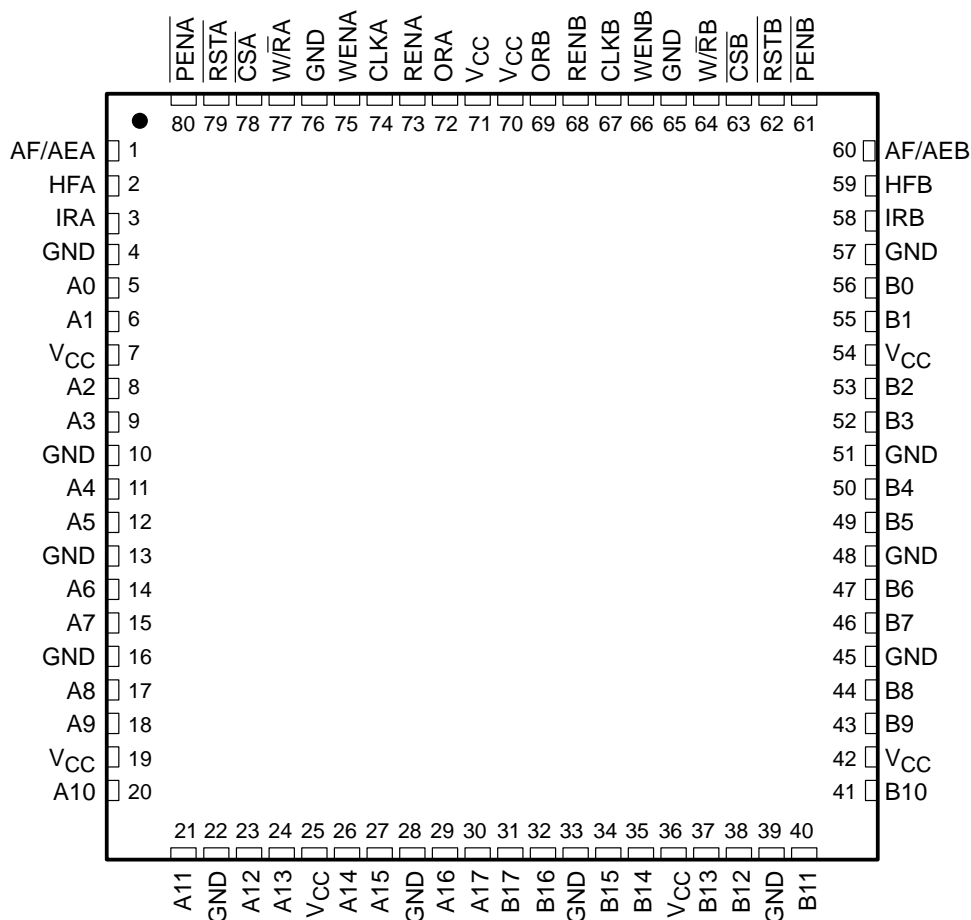
SN74ABT7819A

512 × 18 × 2

CLOCKED BIDIRECTIONAL FIRST-IN, FIRST-OUT MEMORY

SCBS756 – MAY 2002

PN PACKAGE
(TOP VIEW)



description

A FIFO memory is a storage device that allows data to be written into and read from its array at independent data rates. The SN74ABT7819A is a high-speed, low-power, BiCMOS, bidirectional, clocked FIFO memory. Two independent 512 × 18 dual-port SRAM FIFOs (FIFOA, FIFOB) on the chip buffer data in opposite directions. Each FIFO has flags to indicate empty and full conditions, a half-full flag, and a programmable almost-full/almost-empty flag.

The SN74ABT7819A is a clocked FIFO, which means each port employs a synchronous interface. All data transfers through a port are gated to the low-to-high transition of a continuous (free-running) port clock by enable signals. The continuous clocks for each port are independent of one another and can be asynchronous or coincident. The enables for each port are arranged to provide a simple bidirectional interface between microprocessors and/or buses with synchronous control.

The state of the A0–A17 outputs is controlled by the port-A chip select (\overline{CSA}) and the port-A write/read select ($\overline{W/RA}$). When both \overline{CSA} and $\overline{W/RA}$ are low, the outputs are active. The A0–A17 outputs are in the high-impedance state when either \overline{CSA} or $\overline{W/RA}$ is high. Data is written to FIFOA–B from port A on the low-to-high transition of the port-A clock (CLKA) input when \overline{CSA} is low, $\overline{W/RA}$ is high, the port-A write enable (WENA) is high, and the port-A input-ready (IRA) flag is high. Data is read from FIFOB–A to the A0–A17 outputs on the low-to-high transition of CLKA when \overline{CSA} is low, $\overline{W/RA}$ is low, the port-A read enable (RENA) is high, and the port-A output-ready (ORA) flag is high.



description (continued)

The state of the B0–B17 outputs is controlled by the port-B chip select (\overline{CSB}) and the port-B write/read select (W/\overline{RB}). When both \overline{CSB} and W/\overline{RB} are low, the outputs are active. The B0–B17 outputs are in the high-impedance state when either \overline{CSB} or W/\overline{RB} is high. Data is written to FIFOB–A from port B on the low-to-high transition of the port-B clock (CLKB) when \overline{CSB} is low, W/\overline{RB} is high, the port-B write enable (WENB) is high, and the port-B input-ready (IRB) flag is high. Data is read from FIFOA–B to the B0–B17 outputs on the low-to-high transition of CLKB when \overline{CSB} is low, W/\overline{RB} is low, the port-B read enable (RENB) is high, and the port-B output-ready (ORB) flag is high.

The setup- and hold-time constraints for the chip selects (\overline{CSA} , \overline{CSB}) and write/read selects (W/\overline{RA} , W/\overline{RB}) enable write and read operations on memory and are not related to the high-impedance control of the data outputs. If a port read enable (RENA or RENB) and write enable (WENA or WENB) are set low during a clock cycle, the chip select and write/read select can switch at any time during the cycle to change the state of the data outputs.

The input-ready (IR) and output-ready (OR) flags of a FIFO are two-stage synchronized to the port clocks for use as reliable control signals. CLKA synchronizes the status of the input-ready flag of FIFOA–B (IRA) and the output-ready flag of FIFOB–A (ORA). CLKB synchronizes the status of the input-ready flag of FIFOB–A (IRB) and the output-ready flag of FIFOA–B (ORB). When the IR flag of a port is low, the FIFO receiving input from the port is full and writes are disabled to its array. When the OR flag of a port is low, the FIFO that outputs data to the port is empty and reads from its memory are disabled. The first word loaded to an empty memory is sent to the FIFO output register at the same time its OR flag is asserted (high). When the memory is read empty and the OR flag is forced low, the last valid data remains on the FIFO outputs until the OR flag is asserted (high) again. In this way, a high on the OR flag indicates new data is present on the FIFO outputs.

The SN74ABT7819A is characterized for operation from 0°C to 70°C.

Function Tables**PORT A**

SELECT INPUTS					A0–A17	PORT-A OPERATION
CLKA	\overline{CSA}	W/\overline{RA}	WENA	RENA		
X	H	X	X	X	High Z	None
↑	L	H	H	X	High Z	Write A0–A17 to FIFOA–B
↑	L	L	X	H	Active	Read FIFOB–A to A0–A17

PORT B

SELECT INPUTS					B0–B17	PORT-B OPERATION
CLKB	\overline{CSB}	W/\overline{RB}	WENB	RENB		
X	H	X	X	X	High Z	None
↑	L	H	H	X	High Z	Write B0–B17 to FIFOB–A
↑	L	L	X	H	Active	Read FIFOA–B to B0–B17

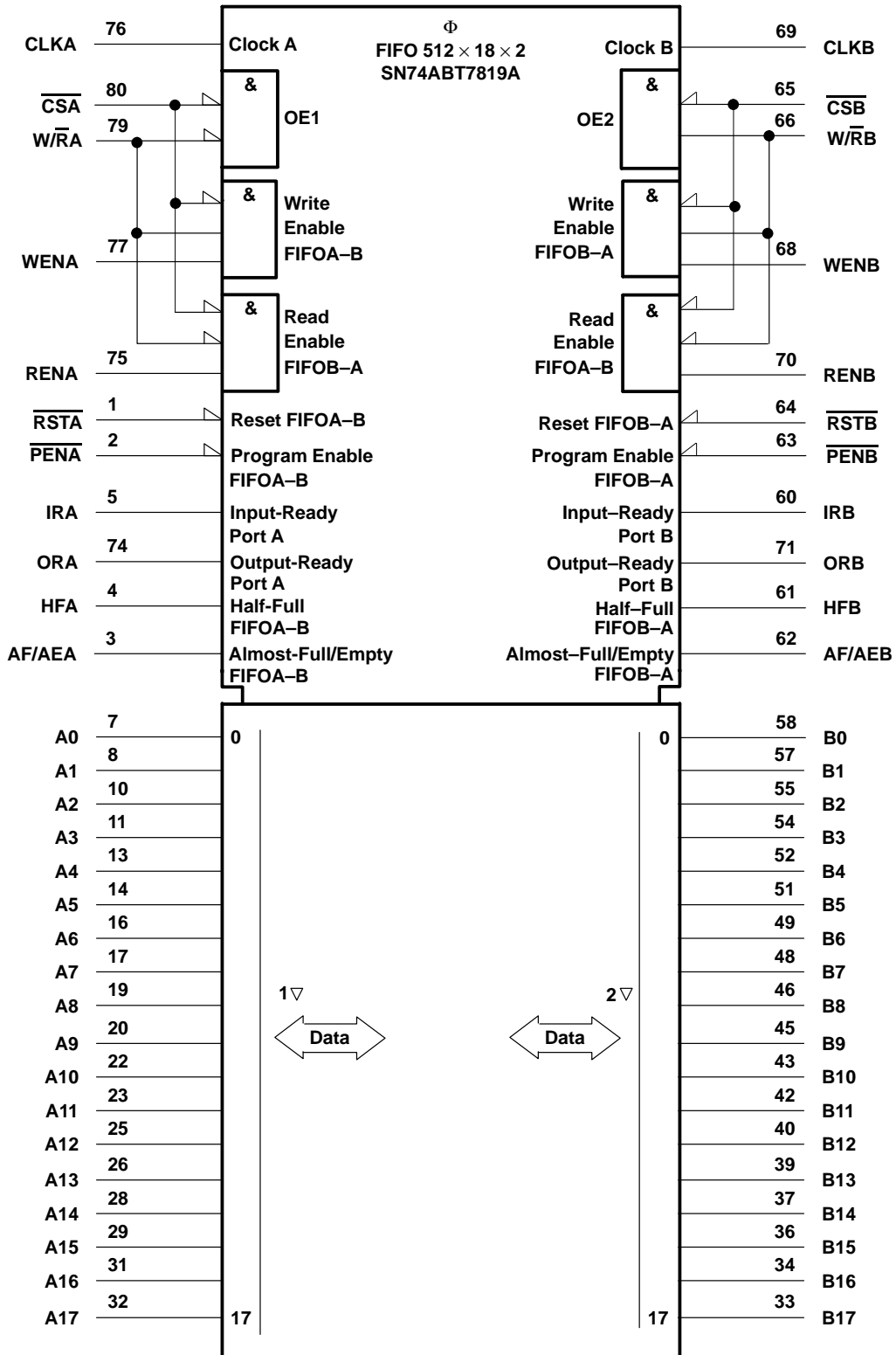
SN74ABT7819A

512 × 18 × 2

CLOCKED BIDIRECTIONAL FIRST-IN, FIRST-OUT MEMORY

SCBS756 – MAY 2002

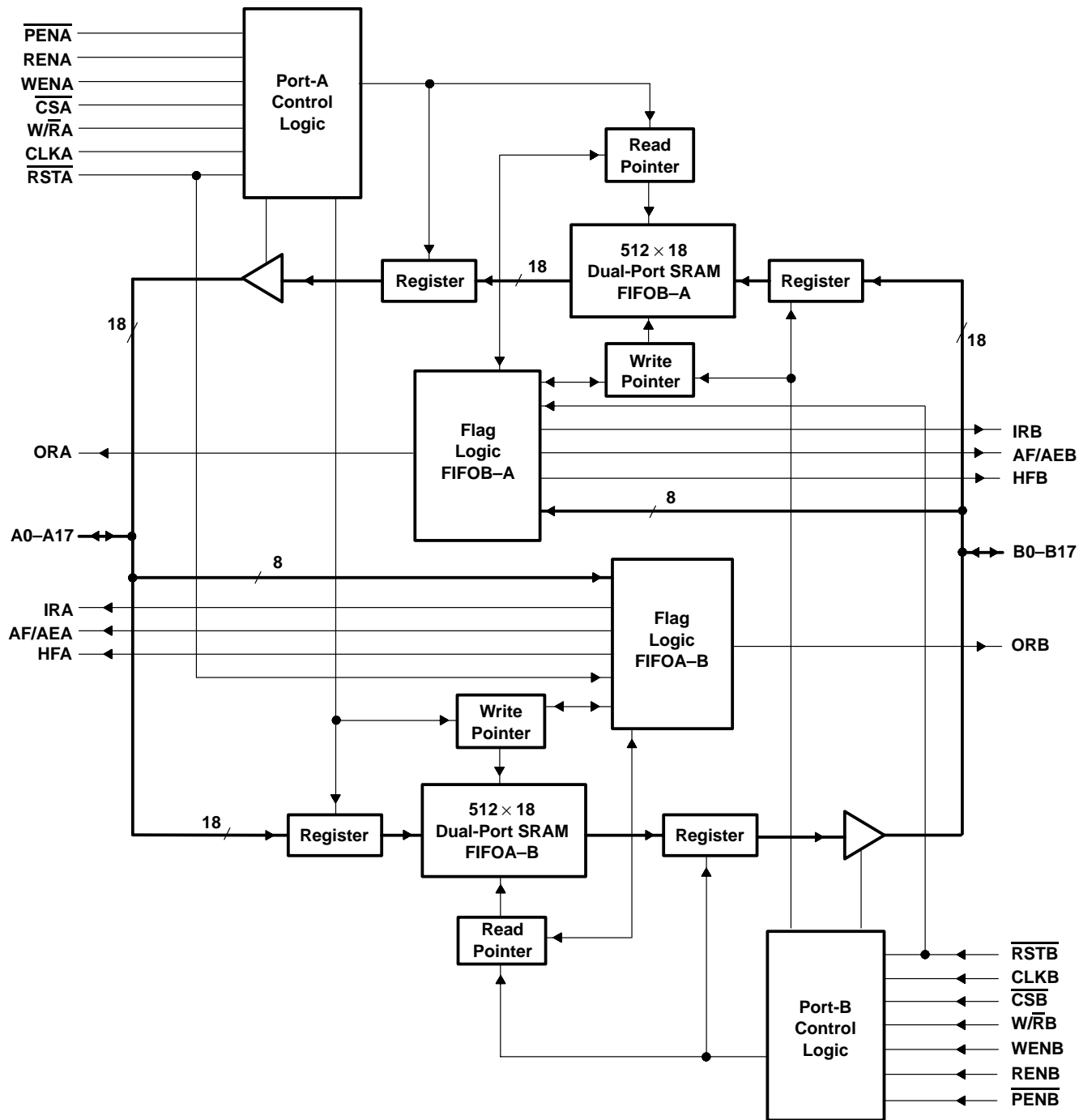
logic symbol†



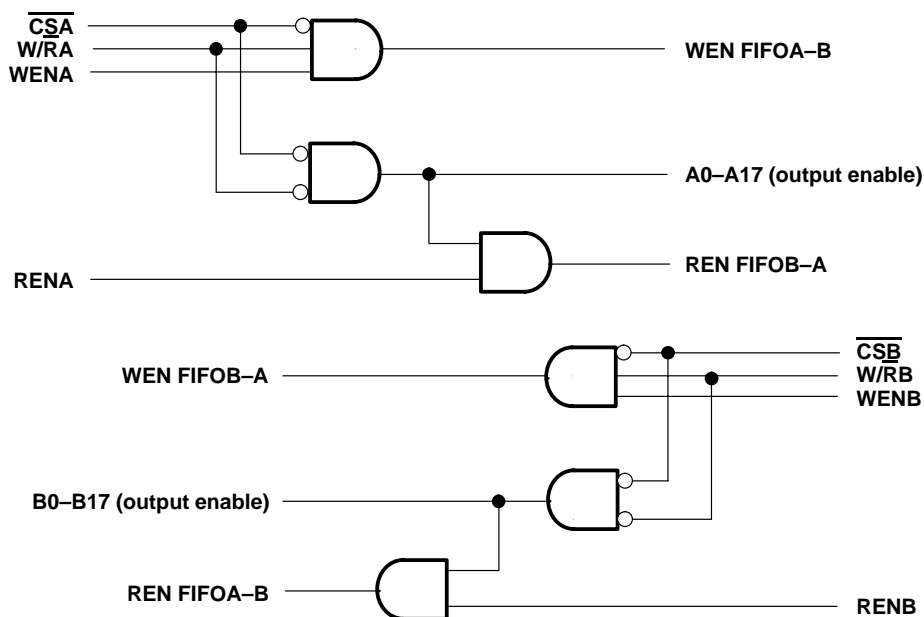
† This symbol is in accordance with ANSI/IEEE Std 91-1984 and IEC Publication 617-12. Terminal numbers are for the PH package.



functional block diagram



enable logic diagram (positive logic)



Terminal Functions

TERMINAL† NAME	NO.	I/O	DESCRIPTION
A0-A17	7, 8, 10, 11, 13, 14, 16, 17, 19, 20, 22, 23, 25, 26, 28, 29, 31, 32	I/O	Port-A data. The 18-bit bidirectional data port for side A.
AF/AEA	3	O	FIFOA-B almost-full/almost-empty flag. Depth offsets can be programmed for AF/AEA or the default value of 128 can be used for both the almost-empty offset (X) and the almost-full offset (Y). AF/AEA is high when X or fewer words or (512 - Y) or more words are stored in FIFOA-B. AF/AEA is forced high when FIFOA-B is reset.
AF/AEB	62	O	FIFOB-A almost-full/almost-empty flag. Depth offsets can be programmed for AF/AEB or the default value of 128 can be used for both the almost-empty offset (X) and the almost-full offset (Y). AF/AEB is high when X or fewer words or (512 - Y) or more words are stored in FIFOB-A. AF/AEB is forced high when FIFOB-A is reset.
B0-B17	58, 57, 55, 54, 52, 51, 49, 48, 46, 45, 43, 42, 40, 39, 37, 36, 34, 33	I/O	Port-B data. The 18-bit bidirectional data port for side B.
CLKA	76	I	Port-A clock. CLKA is a continuous clock that synchronizes all data transfers through port A to its low-to-high transition and can be asynchronous or coincident to CLKB.
CLKB	69	I	Port-B clock. CLKB is a continuous clock that synchronizes all data transfers through port B to its low-to-high transition and can be asynchronous or coincident to CLKA.
\overline{CSA}	80	I	Port-A chip select. \overline{CSA} must be low to enable a low-to-high transition of CLKA to either write data from A0-A17 to FIFOA-B or read data from FIFOB-A to A0-A17. The A0-A17 outputs are in the high-impedance state when \overline{CSA} is high.
\overline{CSB}	65	I	Port-B chip select. \overline{CSB} must be low to enable a low-to-high transition of CLKB to either write data from B0-B17 to FIFOB-A or read data from FIFOA-B to B0-B17. The B0-B17 outputs are in the high-impedance state when \overline{CSB} is high.

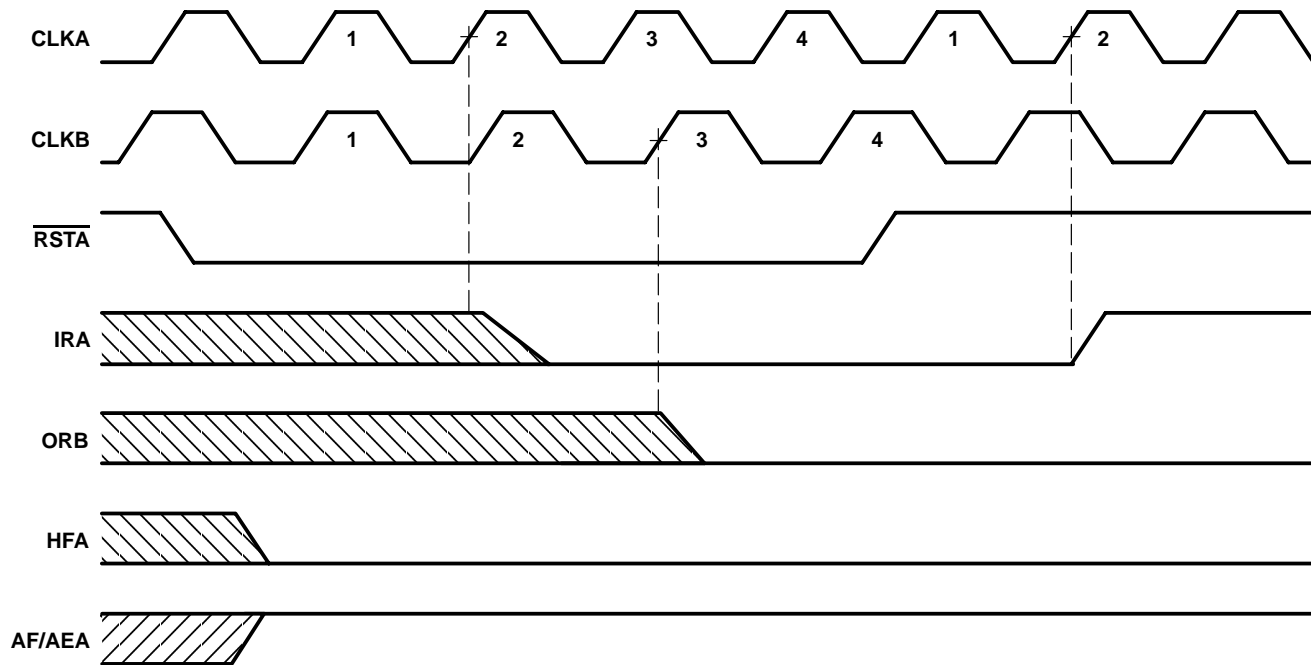
† Terminal numbers are for the PH package.

Terminal Functions (Continued)

TERMINAL† NAME	NO.	I/O	DESCRIPTION
HFA	4	O	FIFOA–B half-full flag. HFA is high when FIFOA–B contains 256 or more words and is low when FIFOA–B contains 255 or fewer words. HFA is set low after FIFOA–B is reset.
HFB	61	O	FIFOB–A half-full flag. HFB is high when FIFOB–A contains 256 or more words and is low when FIFOB–A contains 255 or fewer words. HFB is set low after FIFOB–A is reset.
IRA	5	O	Port-A input-ready flag. IRA is synchronized to the low-to-high transition of CLKA. When IRA is low, FIFOA–B is full and writes to its array are disabled. IRA is set low during a FIFOA–B reset and is set high on the second low-to-high transition of CLKA after reset.
IRB	60	O	Port-B input-ready flag. IRB is synchronized to the low-to-high transition of CLKB. When IRB is low, FIFOB–A is full and writes to its array are disabled. IRB is set low during a FIFOB–A reset and is set high on the second low-to-high transition of CLKB after reset.
ORA	74	O	Port-A output-ready flag. ORA is synchronized to the low-to-high transition of CLKA. When ORA is low, FIFOB–A is empty and reads from its array are disabled. The last valid word remains on the FIFOB–A outputs when ORA is low. Ready data is present for the A0–A17 outputs when ORA is high. ORA is set low during a FIFOB–A reset and goes high on the third low-to-high transition of CLKA after the first word is loaded to an empty FIFOB–A.
ORB	71	O	Port-B output-ready flag. ORB is synchronized to the low-to-high transition of CLKB. When ORB is low, FIFOA–B is empty and reads from its array are disabled. The last valid word remains on the FIFOA–B outputs when ORB is low. Ready data is present for the B0–B17 outputs when ORB is high. ORB is set low during a FIFOA–B reset and goes high on the third low-to-high transition of CLKB after the first word is loaded to an empty FIFOA–B.
$\overline{\text{PENA}}$	2	I	AF/AEA program enable. After FIFOA–B is reset and before a word is written to its array, the binary value on A0–A7 is latched as an AF/AEA offset when $\overline{\text{PENA}}$ is low and CLKA is high.
$\overline{\text{PENB}}$	63	I	AF/AEB program enable. After FIFOB–A is reset and before a word is written to its array, the binary value on B0–B7 is latched as an AF/AEB offset when $\overline{\text{PENB}}$ is low and CLKB is high.
RENA	75	I	Port-A read enable. A high level on RENA enables data to be read from FIFOB–A on the low-to-high transition of CLKA when $\overline{\text{CSA}}$ is low, $\overline{\text{W/RA}}$ is low, and ORA is high.
RENB	70	I	Port-B read enable. A high level on RENB enables data to be read from FIFOA–B on the low-to-high transition of CLKB when $\overline{\text{CSB}}$ is low, $\overline{\text{W/RB}}$ is low, and ORB is high.
$\overline{\text{RSTA}}$	1	I	FIFOA–B reset. To reset $\overline{\text{FIFOA-B}}$, four low-to-high transitions of CLKA and four low-to-high transitions of CLKB must occur while $\overline{\text{RSTA}}$ is low. This sets HFA low, IRA low, ORB low, and AF/AEA high.
$\overline{\text{RSTB}}$	64	I	FIFOB–A reset. To reset $\overline{\text{FIFOB-A}}$, four low-to-high transitions of CLKA and four low-to-high transitions of CLKB must occur while $\overline{\text{RSTB}}$ is low. This sets HFB low, IRB low, ORA low, and AF/AEB high.
WENA	77	I	Port-A write enable. A high level on WENA enables data on A0–A17 to be written into FIFOA–B on the low-to-high transition of CLKA when $\overline{\text{W/RA}}$ is high, $\overline{\text{CSA}}$ is low, and IRA is high.
WENB	68	I	Port-B write enable. A high level on WENB enables data on B0–B17 to be written into FIFOB–A on the low-to-high transition of CLKB when $\overline{\text{W/RB}}$ is high, $\overline{\text{CSB}}$ is low, and IRB is high.
$\overline{\text{W/RA}}$	79	I	Port-A write/read select. A high on $\overline{\text{W/RA}}$ enables A0–A17 data to be written to $\overline{\text{FIFOA-B}}$ on a low-to-high transition of CLKA when WENA is high, $\overline{\text{CSA}}$ is low, and IRA is high. A low on $\overline{\text{W/RA}}$ enables data to be read from FIFOB–A on a low-to-high transition of CLKA when RENA is high, $\overline{\text{CSA}}$ is low, and ORA is high. The A0–A17 outputs are in the high-impedance state when $\overline{\text{W/RA}}$ is high.
$\overline{\text{W/RB}}$	66	I	Port-B write/read select. A high on $\overline{\text{W/RB}}$ enables B0–B17 data to be written to FIFOB–A on a low-to-high transition of CLKB when WENB is high, $\overline{\text{CSB}}$ is low, and IRB is high. A low on $\overline{\text{W/RB}}$ enables data to be read from FIFOA–B on a low-to-high transition of CLKB when RENB is high, $\overline{\text{CSB}}$ is low, and ORB is high. The B0–B17 outputs are in the high-impedance state when $\overline{\text{W/RB}}$ is high.

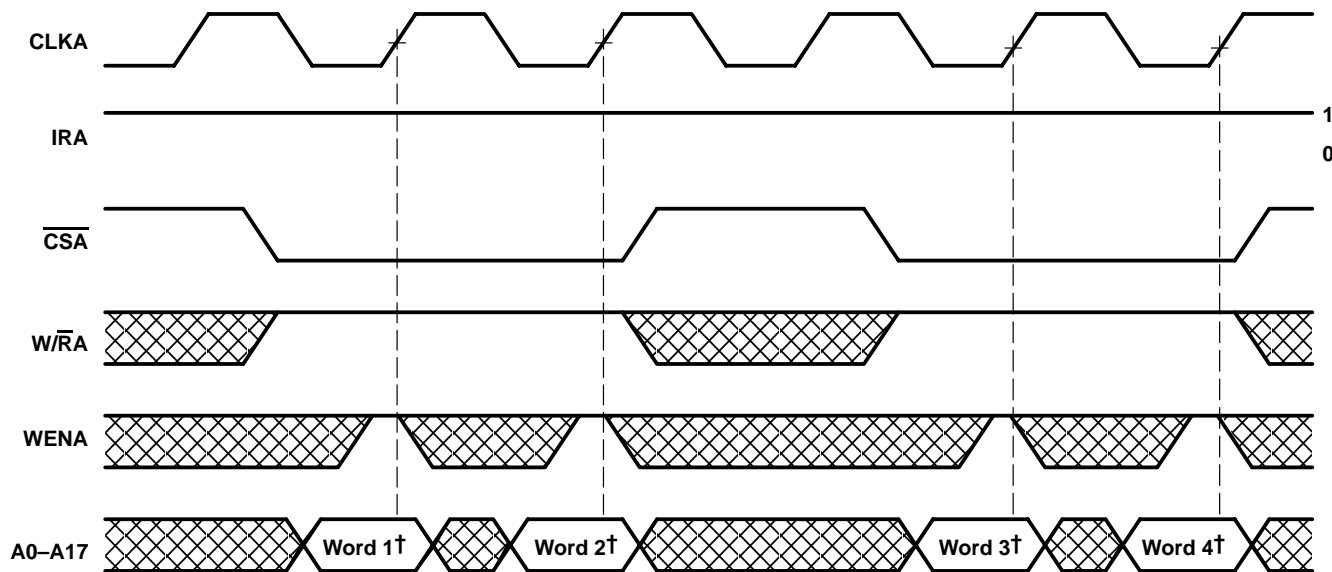
† Terminal numbers are for the PH package.

SN74ABT7819A
512 × 18 × 2
CLOCKED BIDIRECTIONAL FIRST-IN, FIRST-OUT MEMORY
 SCBS756 – MAY 2002



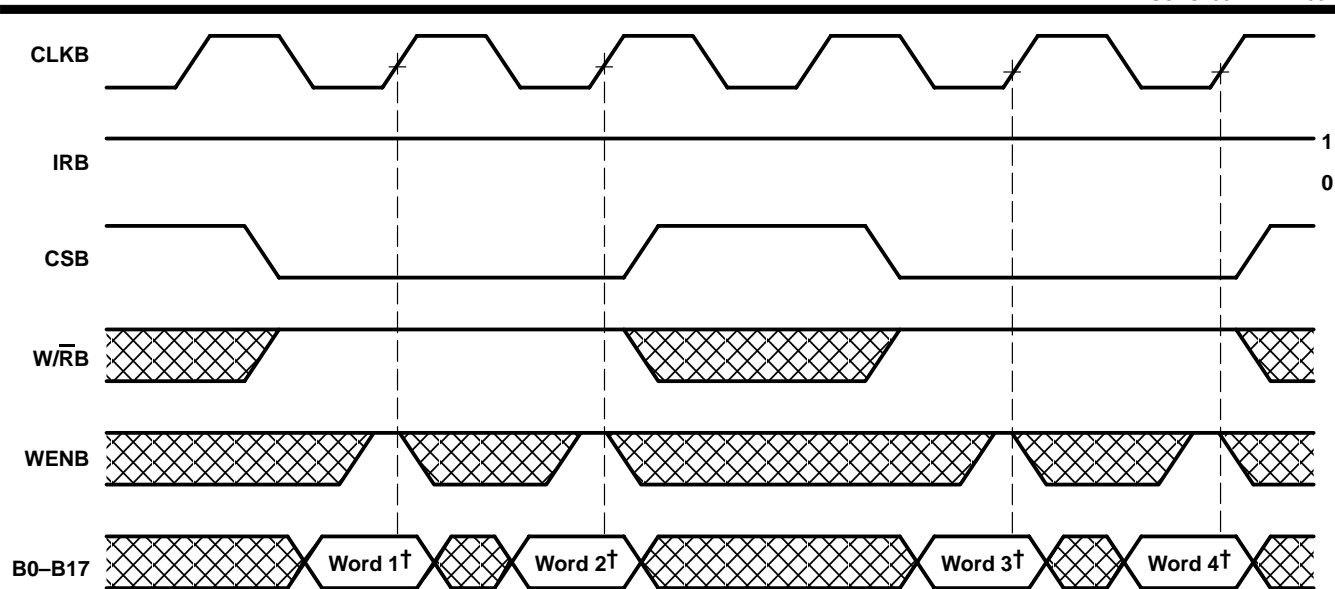
NOTE: FIFOB-A is reset in the same manner.

Figure 1. Reset Cycle for FIFOA-B



† Written to FIFOA-B

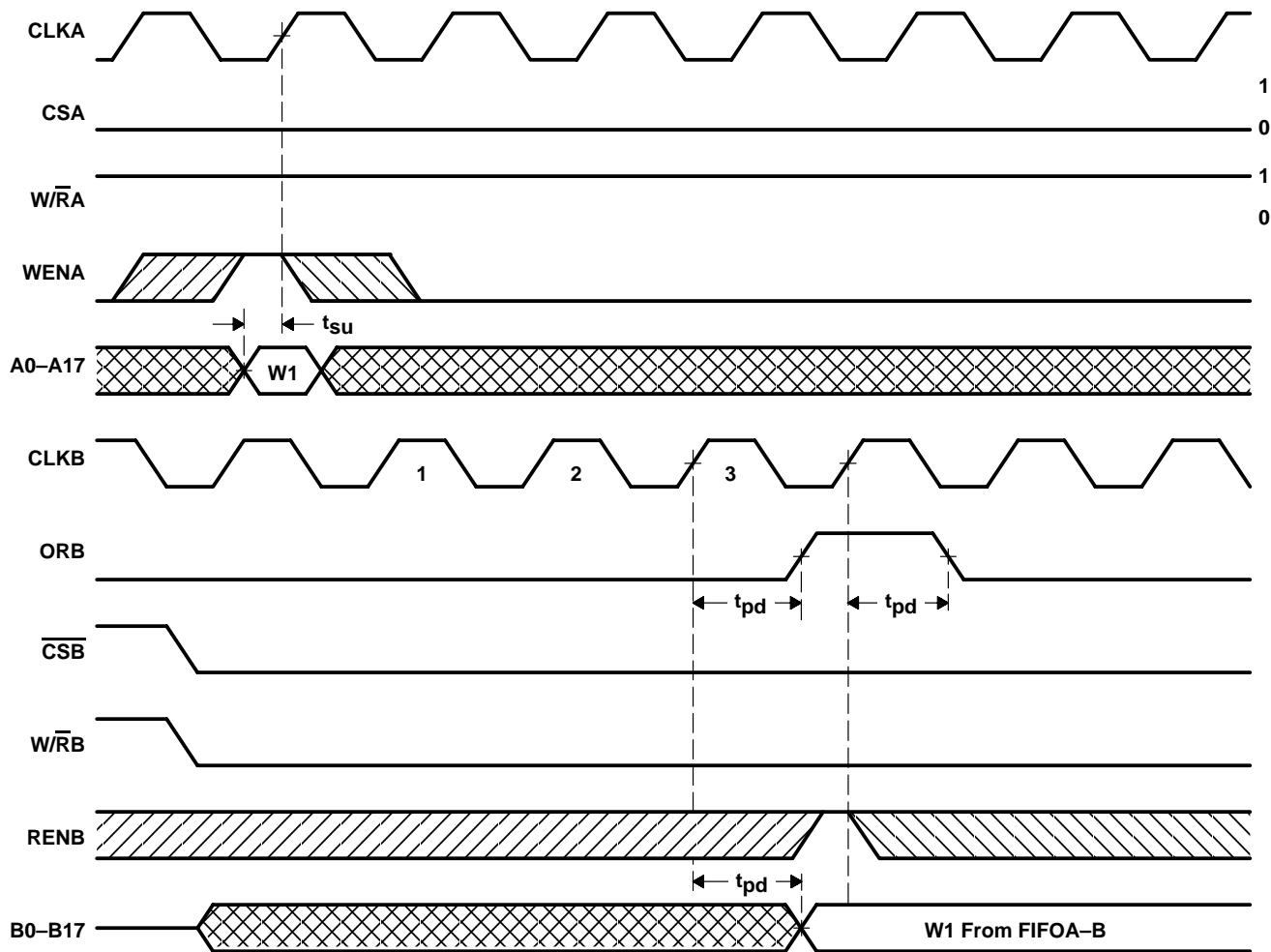
Figure 2. Write Timing – Port A



† Written to FIFOB-A

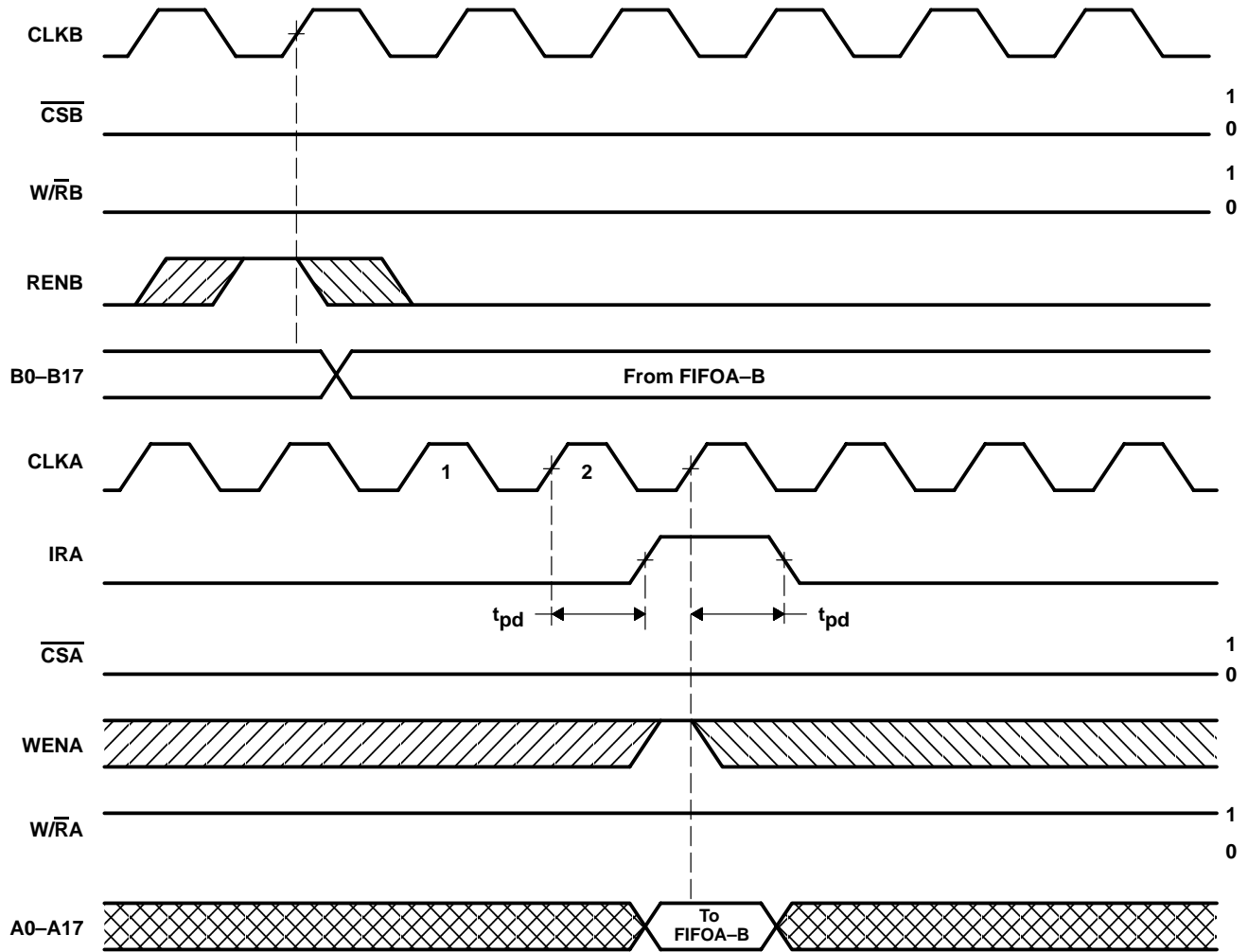
Figure 3. Write Timing – Port B

SN74ABT7819A
512 × 18 × 2
CLOCKED BIDIRECTIONAL FIRST-IN, FIRST-OUT MEMORY
 SCBS756 – MAY 2002



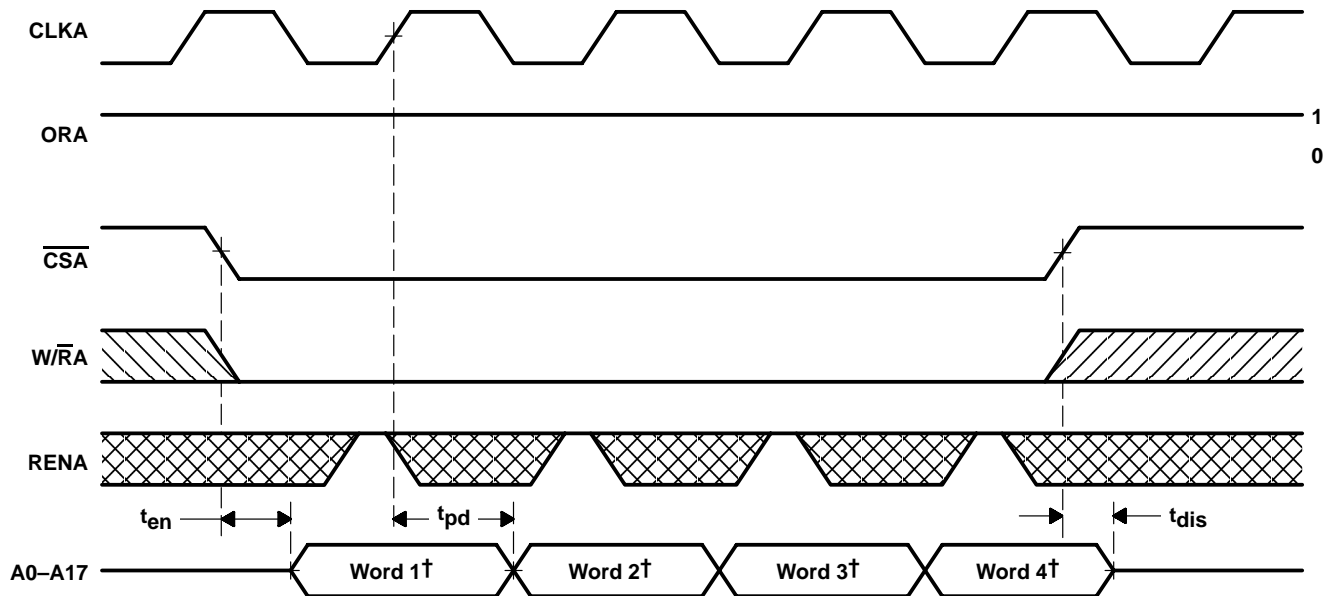
NOTE: Operation of FIFOB-A is identical to that of FIFOA-B.

Figure 4. ORB-Flag Timing and First Data-Word Fall Through When FIFOA-B Is Empty



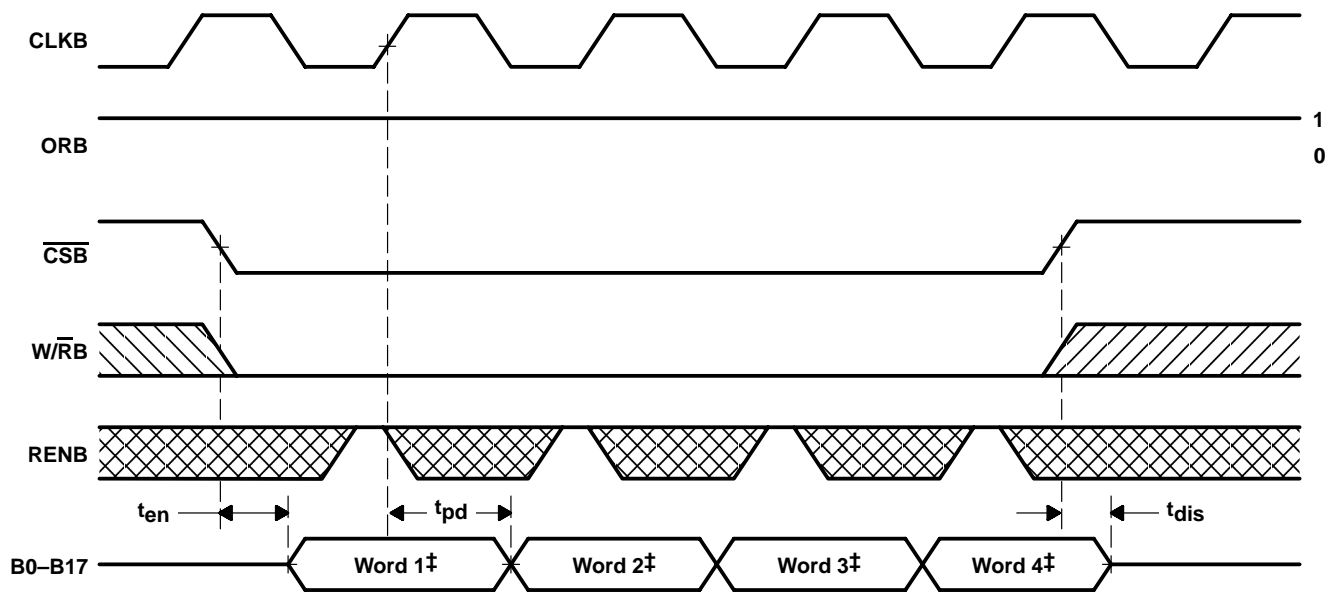
NOTE: Operation of FIFOB-A is identical to that of FIFOA-B.

Figure 5. Write-Cycle and IRA-Flag Timing When FIFOA-B Is Full



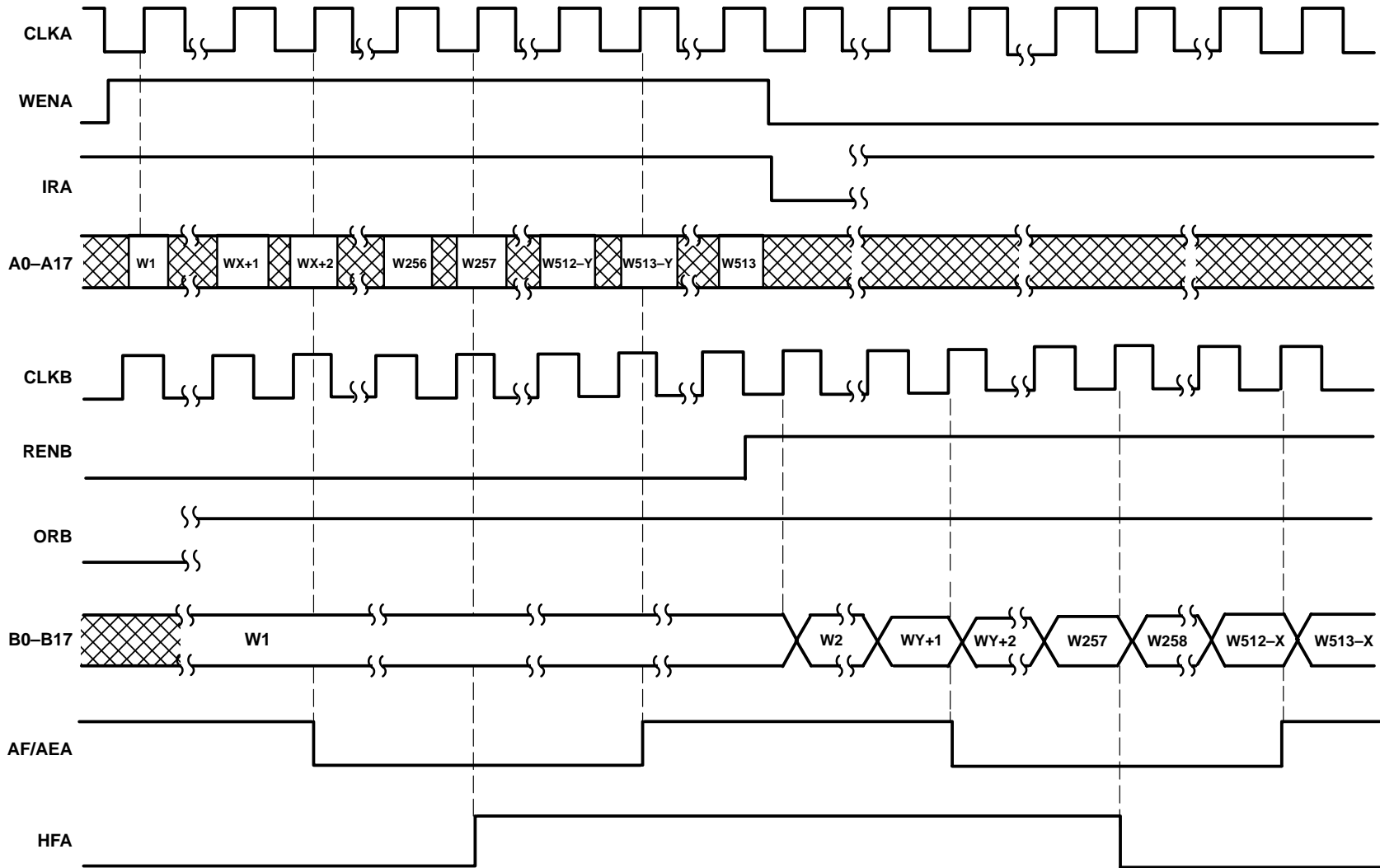
† Read from FIFOB-A

Figure 6. Read Timing – Port A



‡ Read from FIFOA-B

Figure 7. Read Timing – Port B



- NOTES: A. $\overline{CSA}, \overline{CSB} = 0, W\overline{RA} = 1, W\overline{RB} = 0$
 B. X is the almost-empty offset and Y is the almost-full offset for AF/AEA.
 C. HFB and AF/AEB function in the same manner for FIFOB-A.

Figure 8. FIFOA-B (HFA, AF/AEA) Asynchronous Flag Timing

offset values for AF/AE

The AF/AE flag of each FIFO has two programmable limits: the almost-empty offset value (X) and the almost-full offset value (Y). They can be programmed from the input of the FIFO after it is reset and before a word is written to its memory. An AF/AE flag is high when its FIFO contains X or fewer words or (512 – Y) or more words.

To program the offset values for AF/AEA, $\overline{PEN_A}$ is brought low after FIFOA–B is reset and only when CLKA is low. On the following low-to-high transition of CLKA, the binary value on A0–A7 is stored as the almost-empty offset value (X) and the almost-full offset value (Y). Holding $\overline{PEN_A}$ low for another low-to-high transition of CLKA reprograms Y to the binary value on A0–A7 at the time of the second CLKA low-to-high transition.

During the first two CLKA cycles used for offset programming, $\overline{PEN_A}$ can be brought high only when CLKA is low. $\overline{PEN_A}$ can be brought high at any time after the second CLKA pulse used for offset programming returns low. A maximum value of 255 can be programmed for either X or Y (see Figure 9). To use the default values of X = Y = 128, $\overline{PEN_A}$ must be tied high. No data is stored in FIFOA–B while the AF/AEA offsets are programmed. The AF/AEB flag is programmed in the same manner, with $\overline{PEN_B}$ enabling CLKB to program the offset values taken from B0–B7.

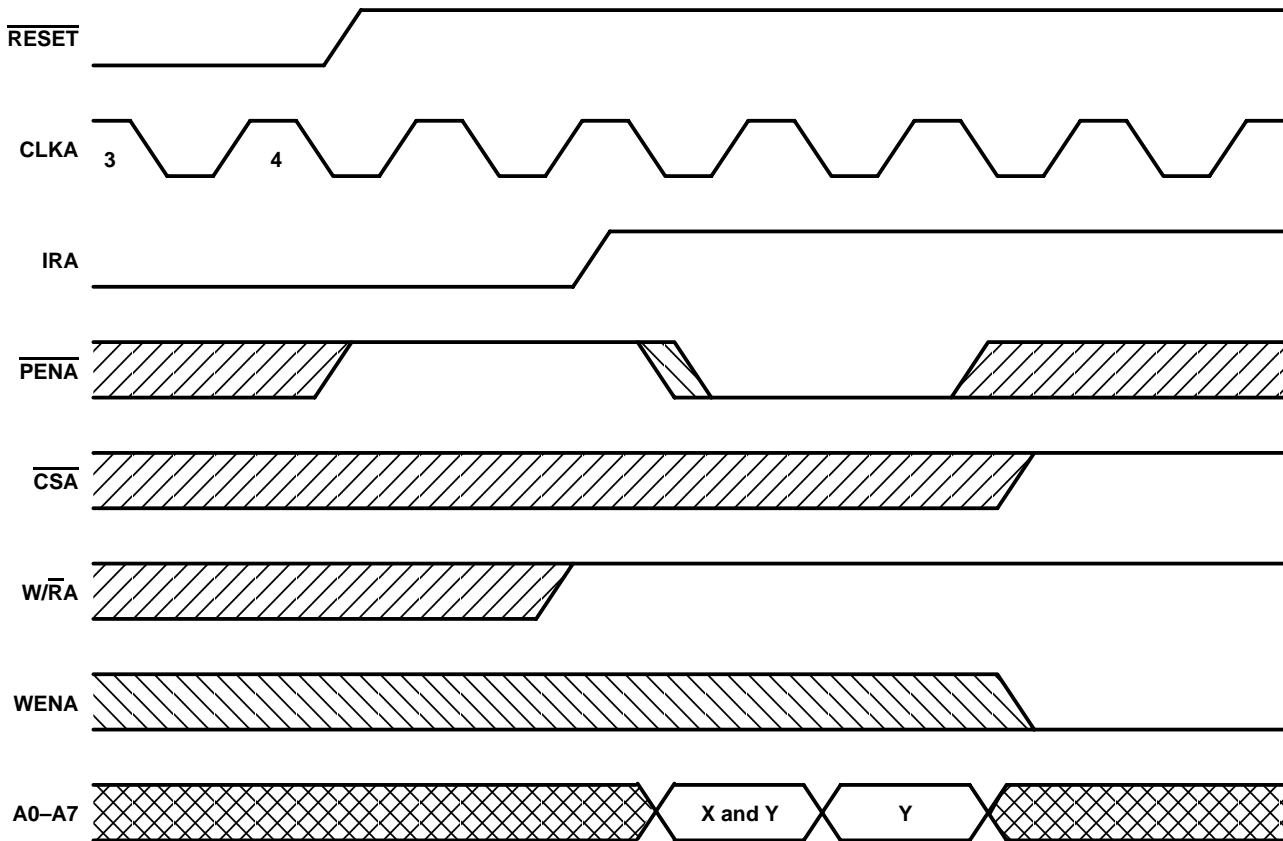


Figure 9. Programming X and Y Separately for AF/AEA

absolute maximum ratings over operating free-air temperature range (unless otherwise noted)†

Supply voltage range, V_{CC}	–0.5 V to 7 V
Input voltage range, V_I (see Note 1)	–0.5 V to $V_{CC} + 0.5$ V
Voltage range applied to any output in the high state or power-off state, V_O	–0.5 V to 5.5 V
Current into any output in the low state, I_O	48 mA
Input clamp current, I_{IK} ($V_I < 0$)	–18 mA
Output clamp current, I_{OK} ($V_O < 0$)	–50 mA
Package thermal impedance, θ_{JA} (see Note 2): PH package	72°C/W
PN package	62°C/W
Storage temperature range, T_{stg}	–65°C to 150°C

† Stresses beyond those listed under “absolute maximum ratings” may cause permanent damage to the device. These are stress ratings only, and functional operation of the device at these or any other conditions beyond those indicated under “recommended operating conditions” is not implied. Exposure to absolute-maximum-rated conditions for extended periods may affect device reliability.

- NOTES: 1. The input and output negative-voltage ratings may be exceeded if the input and output clamp-current ratings are observed.
2. The package thermal impedance is calculated in accordance with JESD 51–7.

recommended operating conditions

	MIN	NOM	MAX	UNIT
V_{CC} Supply voltage	4.5	5	5.5	V
V_{IH} High-level input voltage	2			V
V_{IL} Low-level input voltage			0.8	V
V_I Input voltage	0		V_{CC}	V
I_{OH} High-level output current			–12	mA
I_{OL} Low-level output current			24	mA
$\Delta t/\Delta v$ Input transition rise or fall rate			5	ns/V
T_A Operating free-air temperature	0		70	°C

electrical characteristics over recommended operating free-air temperature range (unless otherwise noted)

PARAMETER	TEST CONDITIONS	MIN	TYP‡	MAX	UNIT
V_{IK}	$V_{CC} = 4.5$ V, $I_I = -18$ mA			–1.2	V
V_{OH}	$V_{CC} = 4.5$ V, $I_{OH} = -3$ mA	2.5			V
	$V_{CC} = 5$ V, $I_{OH} = -3$ mA	3			
	$V_{CC} = 4.5$ V, $I_{OH} = -12$ mA	2			
V_{OL}	$V_{CC} = 4.5$ V, $I_{OL} = 24$ mA		0.5		V
I_I	$V_{CC} = 5.5$ V, $V_I = V_{CC}$ or GND			±1	μA
I_{OZH}^{\S}	$V_{CC} = 5.5$ V, $V_O = 2.7$ V			50	μA
I_{OZL}^{\S}	$V_{CC} = 5.5$ V, $V_O = 0.5$ V			–50	μA
I_O^{\parallel}	$V_{CC} = 5.5$ V, $V_O = 2.5$ V	–40	–100	–180	mA
I_{CC}	$V_{CC} = 5.5$ V, $I_O = 0$, $V_I = V_{CC}$ or GND	Outputs high		15	mA
		Outputs low		95	
		Outputs disabled		15	
C_i	Control inputs	$V_I = 2.5$ V or 0.5 V		12	pF
C_{io}	A or B ports	$V_O = 2.5$ V or 0.5 V		14	pF

‡ All typical values are at $V_{CC} = 5$ V, $T_A = 25^\circ\text{C}$.

§ The parameters I_{OZH} and I_{OZL} include the input leakage current.

¶ Not more than one output should be tested at a time, and the duration of the test should not exceed one second.

SN74ABT7819A

512 × 18 × 2

CLOCKED BIDIRECTIONAL FIRST-IN, FIRST-OUT MEMORY

SCBS756 – MAY 2002

timing requirements over recommended operating free-air temperature range (unless otherwise noted) (see Figures 1 through 10)

		'7819A-10		'7819A-12		'7819A-15		'7819A-20		'7819A-30		UNIT
		MIN	MAX	MIN	MAX	MIN	MAX	MIN	MAX	MIN	MAX	
f_{clock}	Clock frequency	100		80		67		50		33.3		MHz
t_w	Pulse duration	4.5		4.5		6		8		11		ns
t_{su}	Setup time	A0–A17 before CLKA↑ and B0–B17 before CLKB↑		2		3		4		5		ns
		\overline{CSA} before CLKA↑ and \overline{CSB} before CLKB↑		6		6		6		7		
		$\overline{W/RA}$ before CLKA↑ and $\overline{W/RB}$ before CLKB↑		6		6		6		7		
		WENA before CLKA↑ and WENB before CLKB↑		4		4		4		5		
		RENA before CLKA↑ and RENB before CLKB↑		5		5		5		5		
		\overline{PENA} before CLKA↑ and \overline{PENB} before CLKB↑		3		3		4		5		
		RSTA or RSTB low before first CLKA↑ and CLKB↑†		3		3		4		5		
t_h	Hold time	A0–A17 after CLKA↑ and B0–B17 after CLKB↑		0		0		0		0		ns
		\overline{CSA} after CLKA↑ and \overline{CSB} after CLKB↑		0		0		0		0		
		$\overline{W/RA}$ after CLKA↑ and $\overline{W/RB}$ after CLKB↑		0		0		0		0		
		WENA after CLKA↑ and WENB after CLKB↑		0		0		0		0		
		RENA after CLKA↑ and RENB after CLKB↑		0		0		0		0		
		PENA after CLKA low and PENB after CLKB low		2		2		2		2		
		RSTA or RSTB low after fourth CLKA↑ and CLKB↑†		3		3		3		4		

† To permit the clock pulse to be utilized for reset purposes



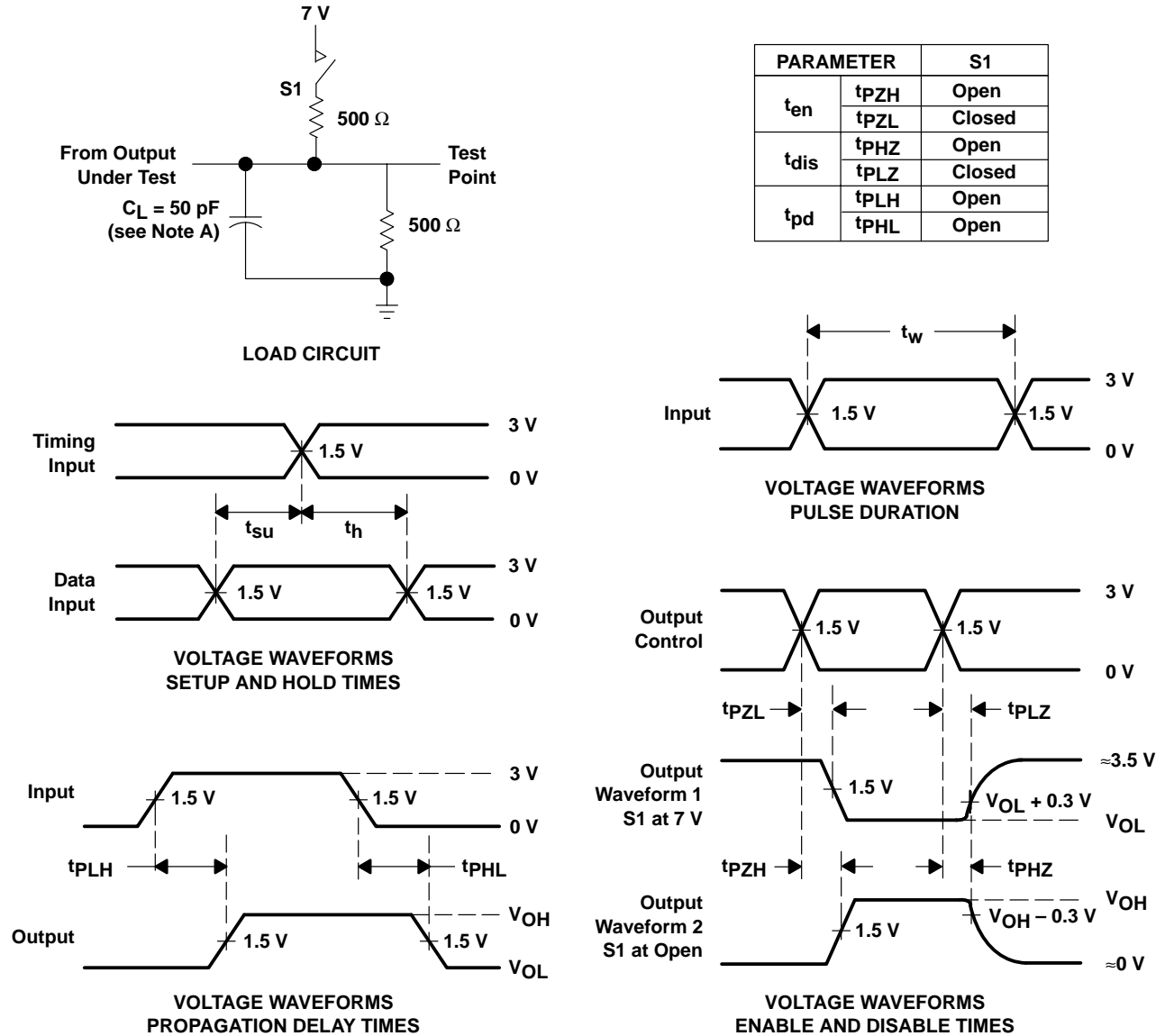
switching characteristics over recommended ranges of supply voltage and operating free-air temperature, $C_L = 50$ pF (unless otherwise noted) (see Figure 10)

PARAMETER	FROM (INPUT)	TO (OUTPUT)	'7819A-10			'7819A-12		'7819A-15		'7819A-20		'7819A-30		UNIT
			MIN	TYP†	MAX	MIN	MAX	MIN	MAX	MIN	MAX	MIN	MAX	
f_{max}	CLKA or CLKB		100			80		67		50		33.3		MHz
t_{pd}	CLKA↑	A0–A17	3	6	8	4	9	4	10	4	12	4	14	ns
	CLKB↑	B0–B17	3	6	8	4	9	4	10	4	12	4	14	
t_{pd}^{\ddagger}	CLKA↑	A0–A17	5											ns
	CLKB↑	B0–B17	5											
t_{pd}	CLKA↑	IRA	4		9	4	9	4	10	4	12	4	14	ns
	CLKB↑	IRB	4		9	4	9	4	10	4	12	4	14	
	CLKA↑	ORA	3.5		9	3.5	9	3.5	10	3.5	12	3.5	14	
	CLKB↑	ORB	3.5		9	3.5	9	3.5	10	3.5	12	3.5	14	
	CLKA↑	AF/AEA	8		17	8	17	8	17	8	18	8	20	
	CLKB↑		8		17	8	17	8	17	8	18	8	20	
t_{PLH}	\overline{RSTA}	AF/AEA	4		12	4	12	4	14	4	15	4	16	ns
t_{pd}	CLKA↑	AF/AEB	8		17	8	17	8	17	8	18	8	20	ns
	CLKB↑		8		17	8	17	8	17	8	18	8	20	
t_{PLH}	\overline{RSTB}	AF/AEB	4		12	4	12	4	14	4	15	4	16	ns
	CLKA↑	HFA	8		17	8	17	8	17	8	18	8	20	
t_{PHL}	CLKB↑	HFA	8		17	8	17	8	17	8	18	8	20	ns
	\overline{RSTA}		4		12	4	12	4	14	4	15	4	16	
	CLKA↑	HFB	8		17	8	17	8	17	8	18	8	20	
t_{PLH}	CLKB↑	HFB	8		17	8	17	8	17	8	18	8	20	ns
t_{PHL}	\overline{RSTB}	HFB	4		12	4	12	4	14	4	15	4	16	ns
t_{en}	\overline{CSA}	A0–A17	2.5		8	2.5	8	2.5	9	2.5	10	2.5	11	ns
	$\overline{W/RA}$		2.5		8	2.5	8	2.5	9	2.5	10	2.5	11	
	\overline{CSB}	B0–B17	2.5		8	2.5	8	2.5	9	2.5	10	2.5	11	
	$\overline{W/RB}$		2.5		8	2.5	8	2.5	9	2.5	10	2.5	11	
t_{dis}	\overline{CSA}	A0–A17	2.5		8	2.5	8	2.5	9	2.5	10	2.5	11	ns
	$\overline{W/RA}$		2.5		8	2.5	8	2.5	9	2.5	10	2.5	11	
	\overline{CSB}	B0–B17	2.5		8	2.5	8	2.5	9	2.5	10	2.5	11	
	$\overline{W/RB}$		2.5		8	2.5	8	2.5	9	2.5	10	2.5	11	

† All typical values are at $V_{CC} = 5$ V, $T_A = 25^\circ\text{C}$.

‡ This parameter is measured with a 30-pF load (see Figure 11).

PARAMETER MEASUREMENT INFORMATION



NOTE A: C_L includes probe and jig capacitance.

Figure 10. Load Circuit and Voltage Waveforms

TYPICAL CHARACTERISTICS

PROPAGATION DELAY TIME
vs
LOAD CAPACITANCE

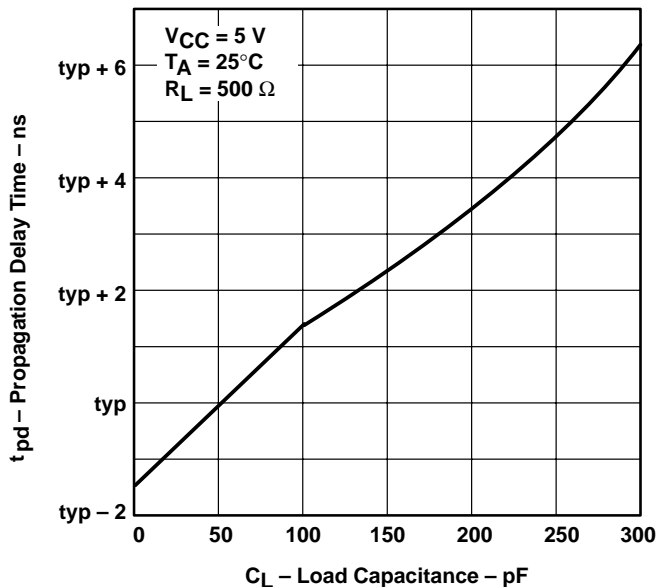


Figure 11

SUPPLY CURRENT
vs
CLOCK FREQUENCY

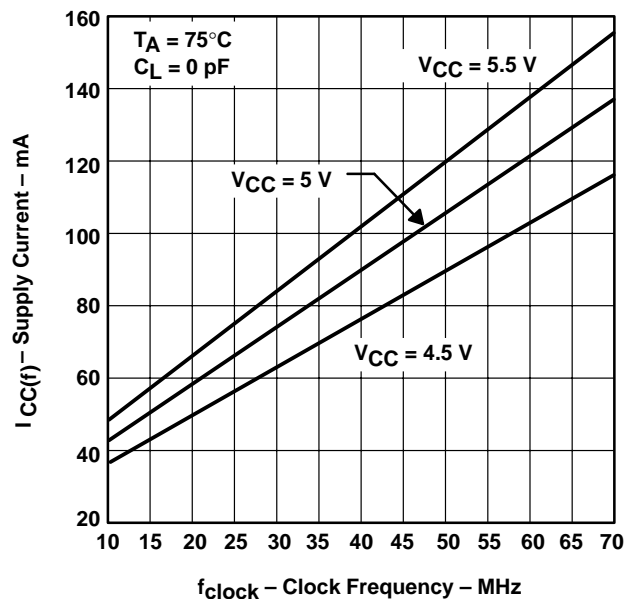


Figure 12

PACKAGING INFORMATION

Orderable Device	Status ⁽¹⁾	Package Type	Package Drawing	Pins	Package Qty	Eco Plan ⁽²⁾	Lead/Ball Finish	MSL Peak Temp ⁽³⁾
SN74ABT7819A-12PN	ACTIVE	LQFP	PN	80	119	Green (RoHS & no Sb/Br)	CU NIPDAU	Level-3-260C-168 HR
SN74ABT7819A-20PN	ACTIVE	LQFP	PN	80	119	Green (RoHS & no Sb/Br)	CU NIPDAU	Level-3-260C-168 HR

⁽¹⁾ The marketing status values are defined as follows:

ACTIVE: Product device recommended for new designs.

LIFEBUY: TI has announced that the device will be discontinued, and a lifetime-buy period is in effect.

NRND: Not recommended for new designs. Device is in production to support existing customers, but TI does not recommend using this part in a new design.

PREVIEW: Device has been announced but is not in production. Samples may or may not be available.

OBsolete: TI has discontinued the production of the device.

⁽²⁾ Eco Plan - The planned eco-friendly classification: Pb-Free (RoHS), Pb-Free (RoHS Exempt), or Green (RoHS & no Sb/Br) - please check <http://www.ti.com/productcontent> for the latest availability information and additional product content details.

TBD: The Pb-Free/Green conversion plan has not been defined.

Pb-Free (RoHS): TI's terms "Lead-Free" or "Pb-Free" mean semiconductor products that are compatible with the current RoHS requirements for all 6 substances, including the requirement that lead not exceed 0.1% by weight in homogeneous materials. Where designed to be soldered at high temperatures, TI Pb-Free products are suitable for use in specified lead-free processes.

Pb-Free (RoHS Exempt): This component has a RoHS exemption for either 1) lead-based flip-chip solder bumps used between the die and package, or 2) lead-based die adhesive used between the die and leadframe. The component is otherwise considered Pb-Free (RoHS compatible) as defined above.

Green (RoHS & no Sb/Br): TI defines "Green" to mean Pb-Free (RoHS compatible), and free of Bromine (Br) and Antimony (Sb) based flame retardants (Br or Sb do not exceed 0.1% by weight in homogeneous material)

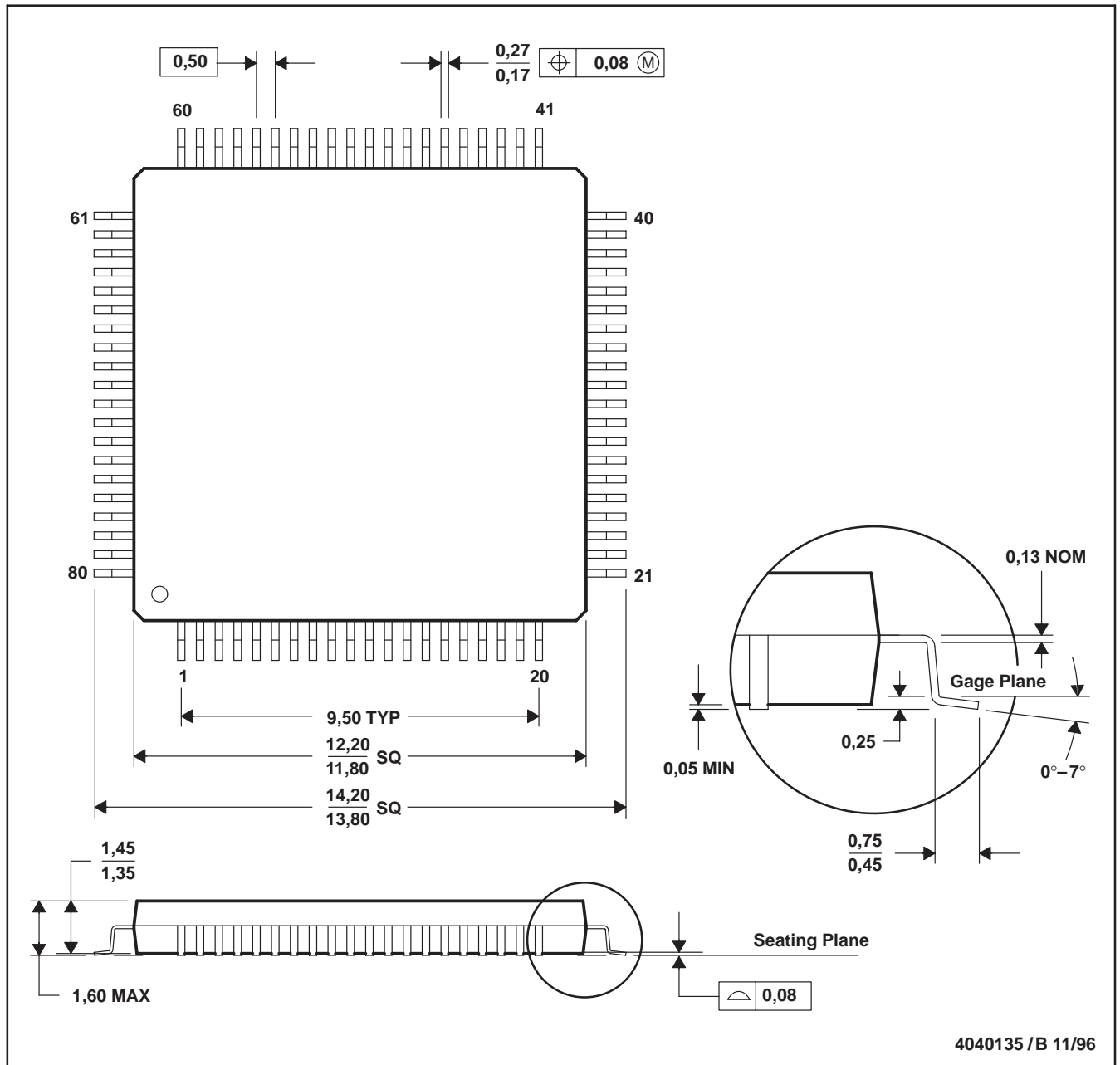
⁽³⁾ MSL, Peak Temp. -- The Moisture Sensitivity Level rating according to the JEDEC industry standard classifications, and peak solder temperature.

Important Information and Disclaimer:The information provided on this page represents TI's knowledge and belief as of the date that it is provided. TI bases its knowledge and belief on information provided by third parties, and makes no representation or warranty as to the accuracy of such information. Efforts are underway to better integrate information from third parties. TI has taken and continues to take reasonable steps to provide representative and accurate information but may not have conducted destructive testing or chemical analysis on incoming materials and chemicals. TI and TI suppliers consider certain information to be proprietary, and thus CAS numbers and other limited information may not be available for release.

In no event shall TI's liability arising out of such information exceed the total purchase price of the TI part(s) at issue in this document sold by TI to Customer on an annual basis.

PN (S-PQFP-G80)

PLASTIC QUAD FLATPACK



- NOTES: A. All linear dimensions are in millimeters.
 B. This drawing is subject to change without notice.
 C. Falls within JEDEC MS-026

IMPORTANT NOTICE

Texas Instruments Incorporated and its subsidiaries (TI) reserve the right to make corrections, modifications, enhancements, improvements, and other changes to its products and services at any time and to discontinue any product or service without notice. Customers should obtain the latest relevant information before placing orders and should verify that such information is current and complete. All products are sold subject to TI's terms and conditions of sale supplied at the time of order acknowledgment.

TI warrants performance of its hardware products to the specifications applicable at the time of sale in accordance with TI's standard warranty. Testing and other quality control techniques are used to the extent TI deems necessary to support this warranty. Except where mandated by government requirements, testing of all parameters of each product is not necessarily performed.

TI assumes no liability for applications assistance or customer product design. Customers are responsible for their products and applications using TI components. To minimize the risks associated with customer products and applications, customers should provide adequate design and operating safeguards.

TI does not warrant or represent that any license, either express or implied, is granted under any TI patent right, copyright, mask work right, or other TI intellectual property right relating to any combination, machine, or process in which TI products or services are used. Information published by TI regarding third-party products or services does not constitute a license from TI to use such products or services or a warranty or endorsement thereof. Use of such information may require a license from a third party under the patents or other intellectual property of the third party, or a license from TI under the patents or other intellectual property of TI.

Reproduction of TI information in TI data books or data sheets is permissible only if reproduction is without alteration and is accompanied by all associated warranties, conditions, limitations, and notices. Reproduction of this information with alteration is an unfair and deceptive business practice. TI is not responsible or liable for such altered documentation. Information of third parties may be subject to additional restrictions.

Resale of TI products or services with statements different from or beyond the parameters stated by TI for that product or service voids all express and any implied warranties for the associated TI product or service and is an unfair and deceptive business practice. TI is not responsible or liable for any such statements.

TI products are not authorized for use in safety-critical applications (such as life support) where a failure of the TI product would reasonably be expected to cause severe personal injury or death, unless officers of the parties have executed an agreement specifically governing such use. Buyers represent that they have all necessary expertise in the safety and regulatory ramifications of their applications, and acknowledge and agree that they are solely responsible for all legal, regulatory and safety-related requirements concerning their products and any use of TI products in such safety-critical applications, notwithstanding any applications-related information or support that may be provided by TI. Further, Buyers must fully indemnify TI and its representatives against any damages arising out of the use of TI products in such safety-critical applications.

TI products are neither designed nor intended for use in military/aerospace applications or environments unless the TI products are specifically designated by TI as military-grade or "enhanced plastic." Only products designated by TI as military-grade meet military specifications. Buyers acknowledge and agree that any such use of TI products which TI has not designated as military-grade is solely at the Buyer's risk, and that they are solely responsible for compliance with all legal and regulatory requirements in connection with such use.

TI products are neither designed nor intended for use in automotive applications or environments unless the specific TI products are designated by TI as compliant with ISO/TS 16949 requirements. Buyers acknowledge and agree that, if they use any non-designated products in automotive applications, TI will not be responsible for any failure to meet such requirements.

Following are URLs where you can obtain information on other Texas Instruments products and application solutions:

Products

Amplifiers	amplifier.ti.com
Data Converters	dataconverter.ti.com
DSP	dsp.ti.com
Clocks and Timers	www.ti.com/clocks
Interface	interface.ti.com
Logic	logic.ti.com
Power Mgmt	power.ti.com
Microcontrollers	microcontroller.ti.com
RFID	www.ti-rfid.com
RF/IF and ZigBee® Solutions	www.ti.com/lprf

Applications

Audio	www.ti.com/audio
Automotive	www.ti.com/automotive
Broadband	www.ti.com/broadband
Digital Control	www.ti.com/digitalcontrol
Medical	www.ti.com/medical
Military	www.ti.com/military
Optical Networking	www.ti.com/opticalnetwork
Security	www.ti.com/security
Telephony	www.ti.com/telephony
Video & Imaging	www.ti.com/video
Wireless	www.ti.com/wireless

Mailing Address: Texas Instruments, Post Office Box 655303, Dallas, Texas 75265
Copyright © 2008, Texas Instruments Incorporated