

# SN54F350, SN74F350 4-BIT SHIFTER WITH 3-STATE OUTPUTS

SDFS073 - D2932, MARCH 1987 - REVISED JANUARY 1989

- Shifts 4-Bits of Data to 0, 1, 2 or 3 Places Under Control of Two Select Lines
- Three-State Outputs for Bus Organized Systems
- Package Options Include Plastic "Small Outline" Packages, Ceramic Chip Carriers, and Standard Plastic and Ceramic 300-mil DIPs
- Dependable Texas Instruments Quality and Reliability

## description

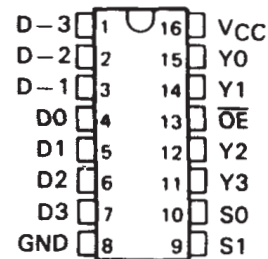
This device is operationally equivalent to a 4-input multiplexer with the inputs connected so that the select code causes shifts of the data word. This makes it possible to perform shifts of 0, 1, 2, or 3 places on words of any length, with suitable interconnection.

A 7-bit data word is introduced at the D inputs and is shifted according to the code applied to the select inputs S0 and S1. Y0 through Y3 are 3-state outputs controlled by an output enable,  $\overline{OE}$ . When  $\overline{OE}$  is low, the outputs follow the selected data inputs; when  $\overline{OE}$  is high, the outputs are in a high-impedance state. This feature allows shifters to be cascaded on the same output lines or to a common bus. The shift function can be logical with zeroes pulled in at either or both ends of the shifting field, arithmetic with the sign bit repeated during a shift down, or end-around with the data word forming a continuous loop.

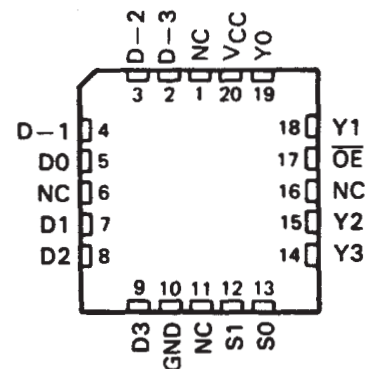
FUNCTION TABLE

INPUTS			OUTPUTS			
$\overline{OE}$	S1	S0	Y0	Y1	Y2	Y3
H	X	X	Z	Z	Z	Z
L	L	L	D0	D1	D2	D3
L	L	H	D-1	D0	D1	D2
L	H	L	D-2	D-1	D0	D1
L	H	H	D-3	D-2	D-1	D0

SN54F350 . . . J PACKAGE  
SN74F350 . . . D OR N PACKAGE  
(TOP VIEW)



SN54F350 . . . FK PACKAGE  
(TOP VIEW)



NC—No internal connection

## logic equations

$$Y_0 = \overline{S_0} \overline{S_1} D_0 + S_0 \overline{S_1} D_{-1} + \overline{S_0} S_1 D_{-2} + S_0 S_1 D_{-3}$$

$$Y_1 = \overline{S_0} \overline{S_1} D_1 + S_0 \overline{S_1} D_0 + \overline{S_0} S_1 D_{-1} + S_0 S_1 D_{-2}$$

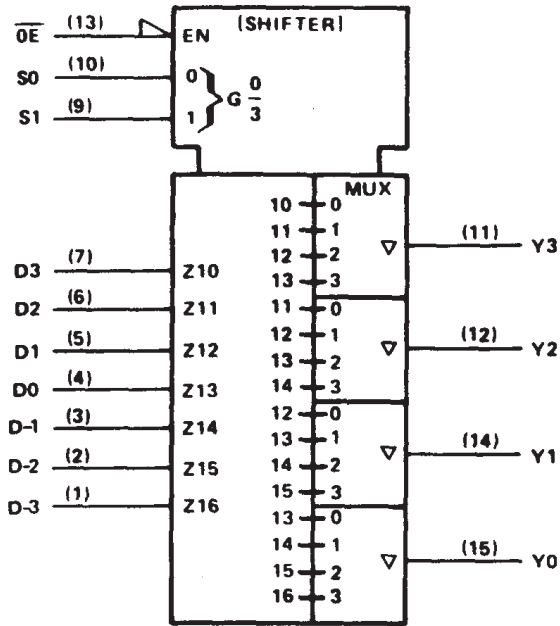
$$Y_2 = \overline{S_0} \overline{S_1} D_2 + S_0 \overline{S_1} D_1 + \overline{S_0} S_1 D_0 + S_0 S_1 D_{-1}$$

$$Y_3 = \overline{S_0} \overline{S_1} D_3 + S_0 \overline{S_1} D_2 + \overline{S_0} S_1 D_1 + S_0 S_1 D_0$$

# SN54F350, SN74F350 4-BIT SHIFTER WITH 3-STATE OUTPUTS

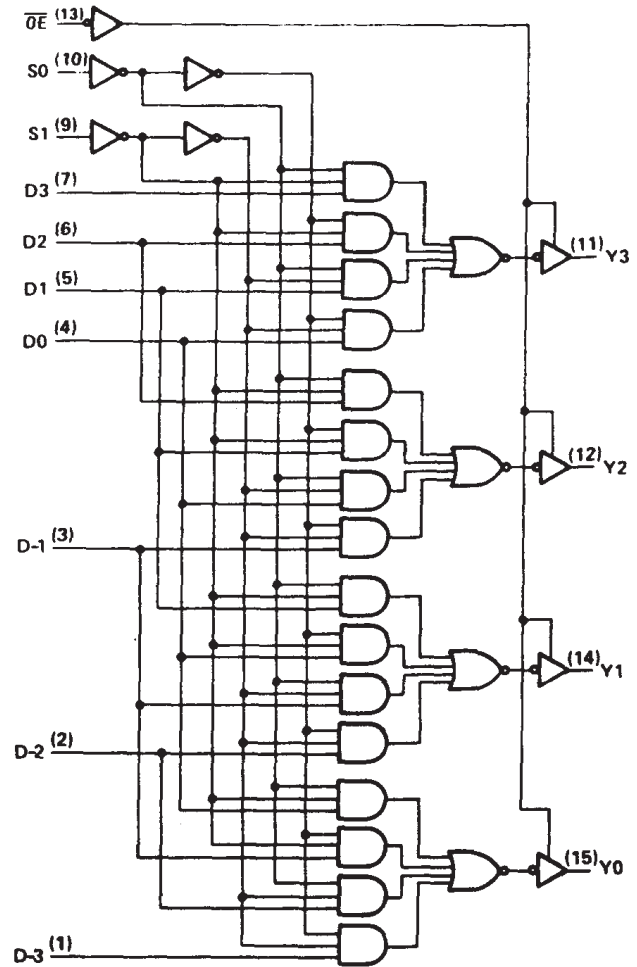
SDFS073 – D2932, MARCH 1987 – REVISED JANUARY 1989

logic symbol†



†This symbol is in accordance with ANSI/IEEE Std 91-1984 and IEC Publication 617-12. Pin numbers shown are for D, J, and N packages.

logic diagram (positive logic)



## absolute maximum ratings over operating free-air temperature range (unless otherwise noted)

Supply voltage, VCC .....	-0.5 V to 7 V
Input voltage‡ .....	-1.2 V to 7 V
Input current .....	-30 mA to 5 mA
Voltage applied to any output in the disabled or power-off state .....	-0.5 V to 5.5 V
Voltage applied to any output in the high state .....	-0.5 V to VCC
Current into any output in the low state: SN54F350 .....	40 mA
SN74F350 .....	48 mA
Operating free-air temperature range: SN54F350 .....	-55°C to 125°C
SN74F350 .....	0°C to 70°C
Storage temperature range .....	-65°C to 150°C

‡The input voltage ratings may be exceeded provided the input current ratings are observed.



POST OFFICE BOX 655303 • DALLAS, TEXAS 75265

# SN54F350, SN74F350 4-BIT SHIFTER WITH 3-STATE OUTPUTS

SDFS073 – D2932, MARCH 1987 – REVISED JANUARY 1989

## recommended operating conditions

		SN54F350			SN74F350			UNIT
		MIN	NOM	MAX	MIN	NOM	MAX	
V <sub>CC</sub>	Supply voltage	4.5	5	5.5	4.5	5	5.5	V
V <sub>IH</sub>	High-level input voltage	2			2			V
V <sub>IL</sub>	Low-level input voltage			0.8			0.8	V
I <sub>IK</sub>	Input clamp current			-18			-18	mA
I <sub>OH</sub>	High-level output current			-3			-3	mA
I <sub>OL</sub>	Low-level output current			20			20	mA
T <sub>A</sub>	Operating free-air temperature	-55		125	0		70	°C

## electrical characteristics over recommended operating free-air temperature range (unless otherwise noted)

PARAMETER	TEST CONDITIONS		SN54F350			SN74F350			UNIT	
			MIN	TYP <sup>†</sup>	MAX	MIN	TYP <sup>†</sup>	MAX		
V <sub>IK</sub>	V <sub>CC</sub> = 4.5 V, I <sub>I</sub> = -18 mA				-1.2			-1.2	V	
V <sub>OH</sub>	Any output	V <sub>CC</sub> = 4.5 V, I <sub>OH</sub> = -1 mA	2.5	3.4		2.5	3.4		V	
		V <sub>CC</sub> = 4.5 V, I <sub>OH</sub> = -3 mA	2.4	3.3		2.4	3.3			
V <sub>OL</sub>	Any output	V <sub>CC</sub> = 4.75 V, I <sub>OH</sub> = -1 mA to -3 mA				2.7			V	
		V <sub>CC</sub> = 4.5 V, I <sub>OL</sub> = 20 mA	0.30	0.5		0.35	0.5			
I <sub>OZH</sub>		V <sub>CC</sub> = 5.5 V, V <sub>O</sub> = 2.7 V			50			50	μA	
I <sub>OZL</sub>		V <sub>CC</sub> = 5.5 V, V <sub>O</sub> = 0.5 V			-50			-50	μA	
I <sub>I</sub>		V <sub>CC</sub> = 5.5 V, V <sub>I</sub> = 7 V			0.1			0.1	mA	
I <sub>IH</sub>		V <sub>CC</sub> = 5.5 V, V <sub>I</sub> = 2.7 V			20			20	μA	
I <sub>IL</sub>		V <sub>CC</sub> = 5.5 V, V <sub>I</sub> = 0.5 V			-1.2			-1.2	mA	
I <sub>OS</sub> <sup>‡</sup>		V <sub>CC</sub> = 5.5 V, V <sub>O</sub> = 0	-60		-150	-60		-150	mA	
I <sub>CCH</sub>	Any output	V <sub>CC</sub> = 5.5 V	Outputs high		22	35	22		35	mA
I <sub>CCL</sub>			Outputs low		27	41	27		41	
I <sub>CCZ</sub>			Outputs off		26	42	26		42	

## switching characteristics (see Note 1)

PARAMETER	FROM (INPUT)	TO (OUTPUT)	V <sub>CC</sub> = 5 V, C <sub>L</sub> = 50 pF, R <sub>1</sub> = 500 Ω, R <sub>2</sub> = 500 Ω, T <sub>A</sub> = 25°C			V <sub>CC</sub> = 4.5 V to 5.5 V, C <sub>L</sub> = 50 pF, R <sub>1</sub> = 500 Ω, R <sub>2</sub> = 500 Ω, T <sub>A</sub> = MIN to MAX <sup>‡</sup>				UNIT
			'F350			SN54F350		SN74F350		
			MIN	TYP	MAX	MIN	MAX	MIN	MAX	
t <sub>PLH</sub>	Data	Any Y	2.2	4.1	6	3	7.5	2.2	7	ns
t <sub>PHL</sub>	Any D		1.7	3.6	5.5	2.5	7	1.7	6.5	
t <sub>PLH</sub>	S0, S1	Any Y	3.2	7.4	10	4	13	3.2	11	ns
t <sub>PHL</sub>			2.2	6.1	8.5	3	10	2.2	9.5	
t <sub>PZH</sub>	OE	Any Y	1.7	4.6	7	2.5	8.5	1.7	8	ns
t <sub>PZL</sub>			3.2	6.6	9	4	11	3.2	10	
t <sub>PHZ</sub>	OE	Any Y	1.2	3.5	5.5	2	7	1.2	6.5	ns
t <sub>PLZ</sub>			1.2	3.6	5.5	2	8.5	1.2	6.5	

<sup>†</sup>All typical values are at V<sub>CC</sub> = 5 V, T<sub>A</sub> = 25°C.

<sup>‡</sup>Not more than one output should be shorted at a time and the duration of the short circuit should not exceed one second.

<sup>§</sup>For conditions shown as MIN or MAX, use the appropriate value specified under Recommended Operating Conditions.

NOTE 1: Load circuits and waveforms are shown in Section 1.



## IMPORTANT NOTICE

Texas Instruments and its subsidiaries (TI) reserve the right to make changes to their products or to discontinue any product or service without notice, and advise customers to obtain the latest version of relevant information to verify, before placing orders, that information being relied on is current and complete. All products are sold subject to the terms and conditions of sale supplied at the time of order acknowledgement, including those pertaining to warranty, patent infringement, and limitation of liability.

TI warrants performance of its semiconductor products to the specifications applicable at the time of sale in accordance with TI's standard warranty. Testing and other quality control techniques are utilized to the extent TI deems necessary to support this warranty. Specific testing of all parameters of each device is not necessarily performed, except those mandated by government requirements.

CERTAIN APPLICATIONS USING SEMICONDUCTOR PRODUCTS MAY INVOLVE POTENTIAL RISKS OF DEATH, PERSONAL INJURY, OR SEVERE PROPERTY OR ENVIRONMENTAL DAMAGE ("CRITICAL APPLICATIONS"). TI SEMICONDUCTOR PRODUCTS ARE NOT DESIGNED, AUTHORIZED, OR WARRANTED TO BE SUITABLE FOR USE IN LIFE-SUPPORT DEVICES OR SYSTEMS OR OTHER CRITICAL APPLICATIONS. INCLUSION OF TI PRODUCTS IN SUCH APPLICATIONS IS UNDERSTOOD TO BE FULLY AT THE CUSTOMER'S RISK.

In order to minimize risks associated with the customer's applications, adequate design and operating safeguards must be provided by the customer to minimize inherent or procedural hazards.

TI assumes no liability for applications assistance or customer product design. TI does not warrant or represent that any license, either express or implied, is granted under any patent right, copyright, mask work right, or other intellectual property right of TI covering or relating to any combination, machine, or process in which such semiconductor products or services might be or are used. TI's publication of information regarding any third party's products or services does not constitute TI's approval, warranty or endorsement thereof.