

**SP1662B (HIGH Z)**  
**SP1663B (LOW Z)**  
**QUAD 2-INPUT NOR GATE**

The SP1662B comprises four 2-input NOR gating functions in a single package. An internal bias reference voltage ensures that the threshold point remains in the centre of the transition region over the temperature range (0°C to +75°C).

Input pulldown resistors eliminate the need to tie unused inputs to  $V_{EE}$ .

**FEATURES**

- Gate Switching Speed Ins Typ.
- MECL/PECL II and MECL 10000-Compatible
- 50Ω Line Driving Capability
- Operation With Unused I/Ps Open Circuit
- Low Supply Noise Generation

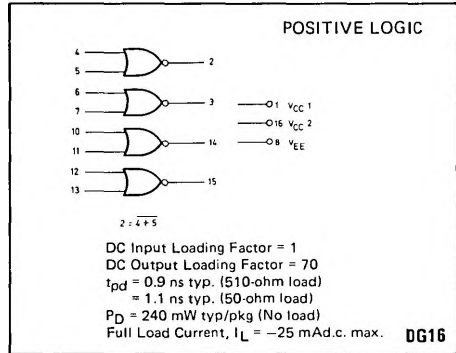


Fig. 1 Logic diagram

**ABSOLUTE MAXIMUM RATINGS**

Power supply voltage $ V_{CC} - V_{EE} $	8V
Base input voltage	0V to $V_{EE}$
O/P source current	< 40mA
Storage temperature	-55°C to +150°C
Junction operating temp.	< +125°C

**APPLICATIONS**

- Data Communications
- Instrumentation
- PCM Transmission Systems

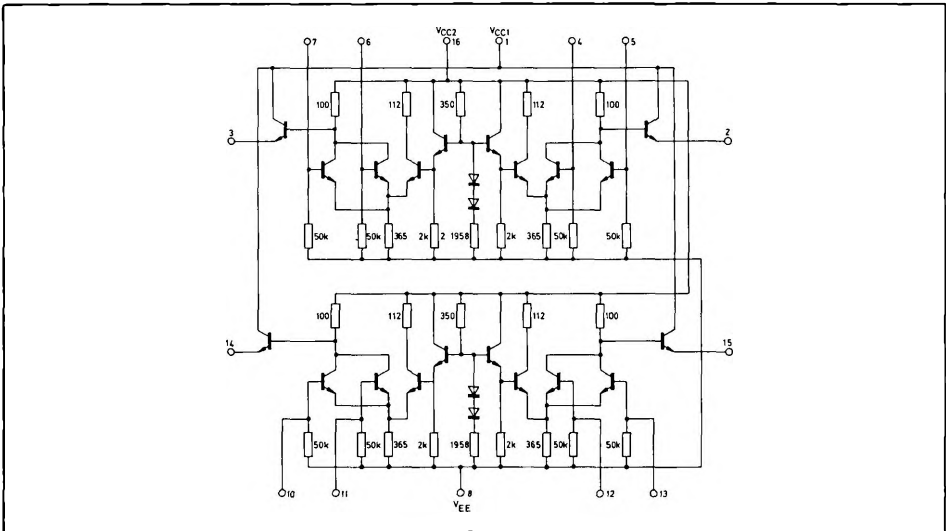


Fig. 2 Circuit diagram

