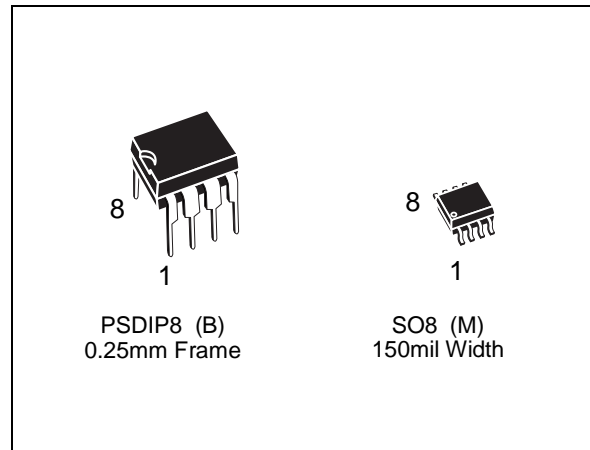


16Kb (x8) SERIAL EEPROM

DATA BRIEFING

- 1 MILLION ERASE/WRITE CYCLES with OVER 40 YEARS DATA RETENTION
- SINGLE SUPPLY VOLTAGE:
 - 4.5V to 5.5V for ST24164 version
 - 2.5V to 5.5V for ST25164 version
- HARDWARE WRITE CONTROL PIN
- TWO WIRE SERIAL INTERFACE
- PAGE WRITE (up to 16 BYTES)
- BYTE, RANDOM and SEQUENTIAL READ MODES
- SELF TIMED PROGRAMMING CYCLE
- AUTOMATIC ADDRESS INCREMENTING
- ENHANCED ESD/LATCH-UP PERFORMANCES



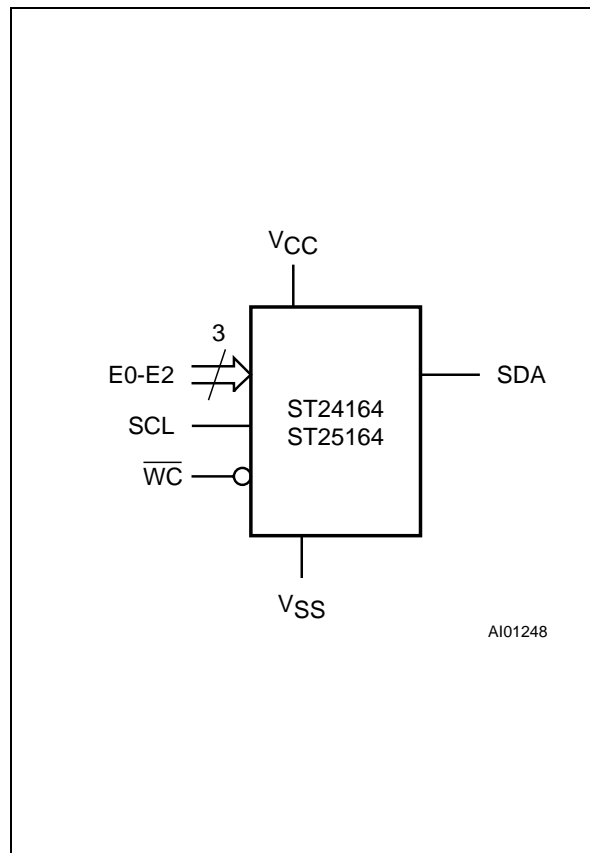
DESCRIPTION

The ST24/25164 are 16K bit electrically erasable programmable memories (EEPROM), organized as 2048 x 8 bits. They are manufactured in SGS-THOMSON's Hi-Endurance Advanced CMOS technology which guarantees an endurance of one million erase/write cycles with a data retention of over 40 years. The memories operate with a power supply value as low as 2.5V.

Signal Names

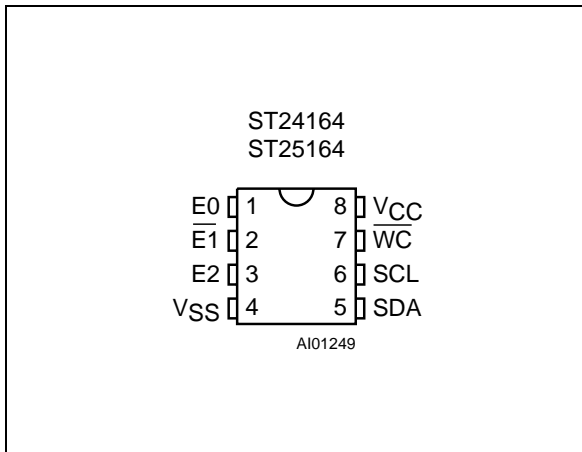
| | |
|-----------------|----------------------------------|
| E0-E2 | Chip Enable Inputs |
| SDA | Serial Data Address Input/Output |
| SCL | Serial Clock |
| \overline{WC} | Write Control |
| V _{CC} | Supply Voltage |
| V _{SS} | Ground |

Logic Diagram

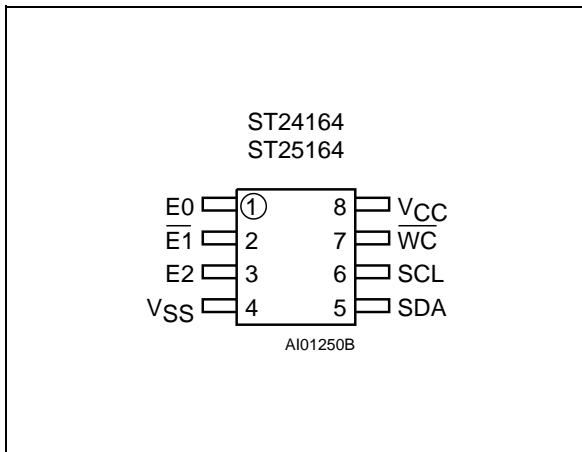


ST24164, ST25164

DIP Pin Connections



SO Pin Connections



Ordering Information Scheme

For a list of available options or for further information on any aspect of this device, please contact the SGS-THOMSON Sales Office nearest to you.

Example: ST24164 M 1 TR

| | |
|--------------------------|------------------------|
| Operating Voltage | |
| 24 | 4.5V to 5.5V |
| 25 | 2.5V to 5.5V |
| Package | |
| B | PSDIP8 0.25mm Frame |
| M | SO8 150mil Width |
| Temp. Range | |
| 1 | 0 to 70 °C |
| 6 | -40 to 85 °C |
| 3 ⁽¹⁾ | -40 to 125 °C |
| Option | |
| TR | Tape & Reel Packing |

Notes: 1. Temperature range on special request only.

Devices are shipped from the factory with the memory content set at all "1's" (FFh).