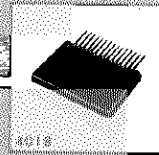


STK 3042II, 3062II, 3082II

thick film hybrid IC

VOLTAGE AMP. FOR 40 to 90W
AF POWER AMP.



Use

- STK 3042II: A voltage amplifier for 40 to 50W AF power amplifier.
- STK 3062II: A voltage amplifier for 60 to 70W AF power amplifier.
- STK 3082II: A voltage amplifier for 80 to 90W AF power amplifier.

MAXIMUM RATING / $T_a=25^\circ\text{C}$

		STK 3042II	STK 3062II	STK 3082II	unit
Maximum Supply Voltage	V_{CC} max	± 55	± 59	± 65	V
Allowable Power Dissipation	P_d max	→	→	4	W
Operating Case Temperature	T_C	→	→	100	$^\circ\text{C}$
Storage Temperature	T_{stg}	→	→	-30to+100	$^\circ\text{C}$

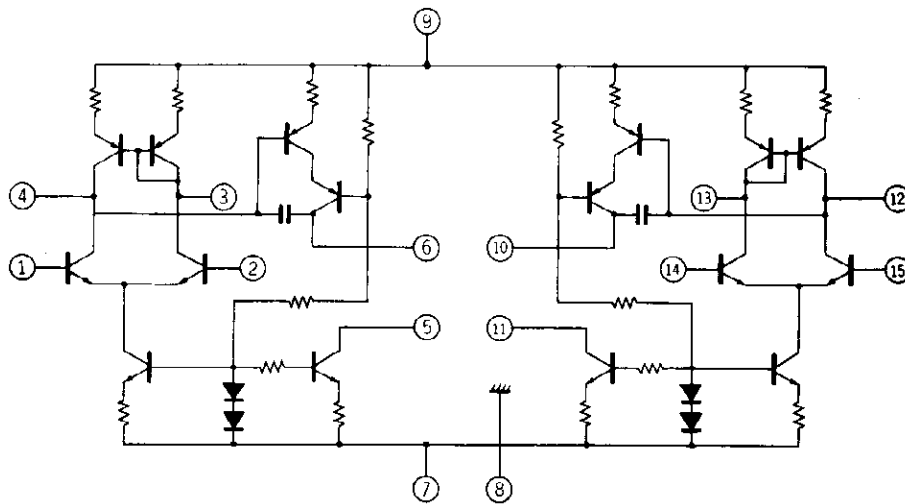
RECOMMENDED OPERATION CONDITION / $T_a=25^\circ\text{C}$

		STK 3042II	STK 3062II	STK 3082II	unit
Recommended Supply Voltage	V_{CC}	± 43	± 48	± 56	V
Load Resistance	R_L	→	→	33k	ohm

OPERATION CHARACTERISTICS / $T_a=25^\circ\text{C}$, $V_G=26.5\text{dB}$, $R_L=22\text{k ohm}$

		STK 3042II	STK 3062II	STK 3082II	unit
Current Dissipation	I_{CC}	30	35	35	mA max
Output Center Voltage	V_N	→	→	-50to+50	mV
Output Noise Voltage	V_{NO}	→	→	1.0	mV max
Input Resistance	r_i	→	→	33k	ohm
Total Harmonic Distortion	THD	→	→	0.01	% max

EQUIVALENT CIRCUIT



STK 3042II, 3062II, 3082II