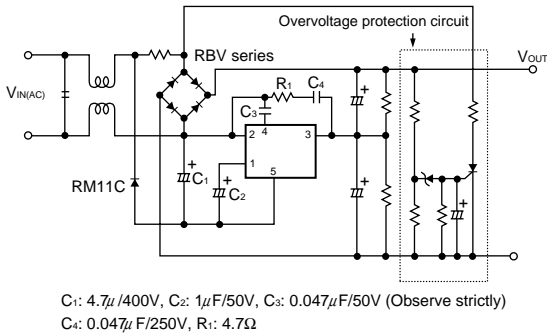


Setting Switchover Voltage		RMS On-state Current I _T (RMS) (A)		Remarks	Fig. No.
V _c (DC) (V)	V _c (AC) (V)	5	10		
205±5	145	STR82145	STR83145	With latching capability	1
225±5	159		STR83159	With latching capability	

Example of application circuit



External Dimensions

• No. 1

